

# PbS- /PbSe Detectors - Package Drawings & Cooling Specifications

This datasheet summarizes all standard package drawings and figures for our PbS and PbSe-detectors: PB25, PB27, PB30, PB45, PB50 and PB55.

Additional drawings and additional custom packages are available on request.

Detector specifications can be found on their respective datasheets.



## Part Number Designation

Type		Window		Element Size <sup>1</sup>		Cooling		Package		Cap size	
PB25	uncooled PbSe detector	S	sapphire	1010	1.0 x 1.0 mm <sup>2</sup>	T1	1 stage	4	TO-46	S	short
PB27	cooled PbS detector	G	glass	2020	2.0 x 2.0 mm <sup>2</sup>	T1S	1 stage superior	6	TO-8 flange <sup>2</sup>	M	medium
		A	Si 1.5-5 μm	3030	3.0 x 3.0 mm <sup>2</sup>					L	long
PB30	ultimate cooled PbS detector	B	Si 1.2-3.5 μm	5050	5.0 x 5.0 mm <sup>2</sup>	T2	2stage	7	TO-37	X	special
		X	no window								
PB45	uncooled PbSe detector	Z	Specials			T2S	2stage superior	8	TO-8		
PB50	cooled PbSe detector					T3	3stage	9	TO-39		
PB55	ultimate cooled PbSe detector										

<sup>1</sup> for rectangular elements: space between electrodes first  
<sup>2</sup> TO-8 with copper flange (equal TO-66)

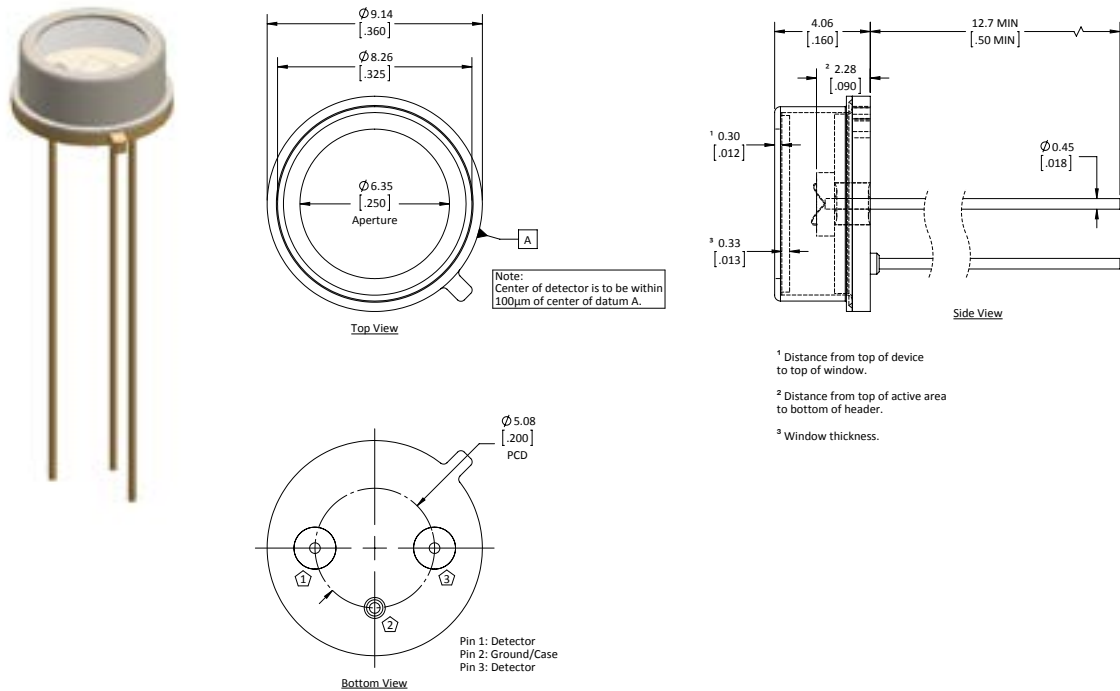
This datasheet contains the following drawings:

### Uncooled Detectors

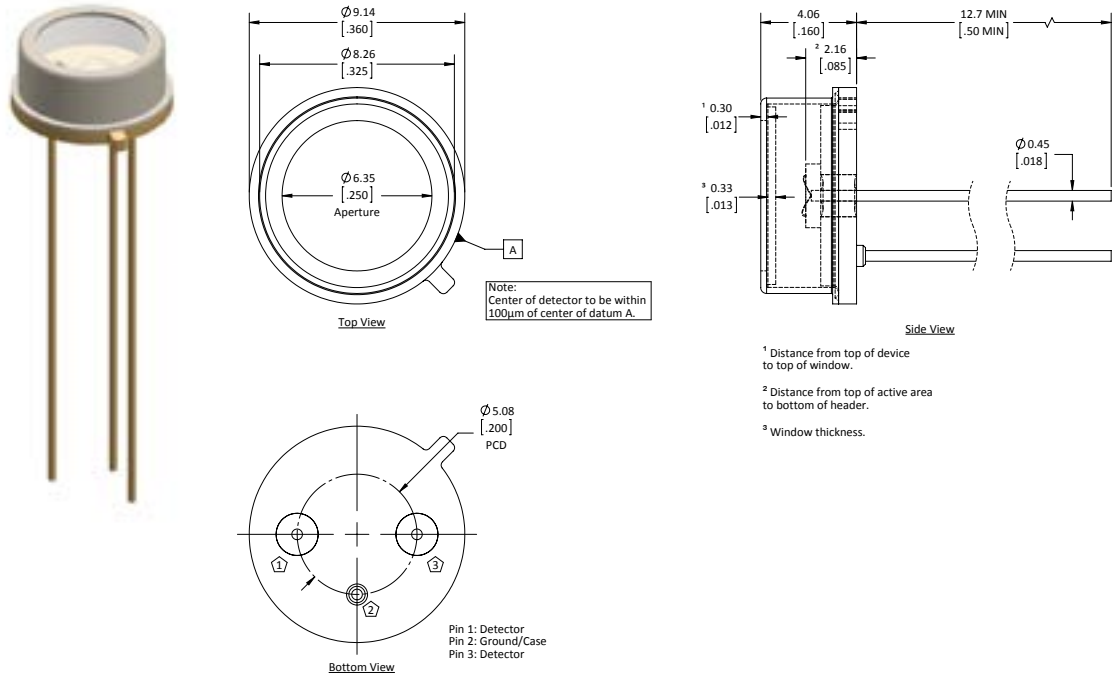
No.	Part Number	Package	Drawing is also valid for:
1.	PB25S10109S	TO-39 small cap	PB25S20209S, PB25S30309S
2.	PB45S10109S	TO-39 small cap	PB45S20209S, PB45S30309S
3.	PB25S10109M	TO-39 medium cap	PB25S20209M, PB25S30309M
4.	PB45S10109M	TO-39 medium cap	PB45S20209M, PB45S30309M
5.	PB45S10104S	TO-46 small cap	
6.	PB25G20209	TO-39 glass window	
7.	PB25S60608M	TO-8 medium cap	PB25S50508M
8.	PB45S50508M	TO-8 medium cap	PB45S60608M

### Drawings

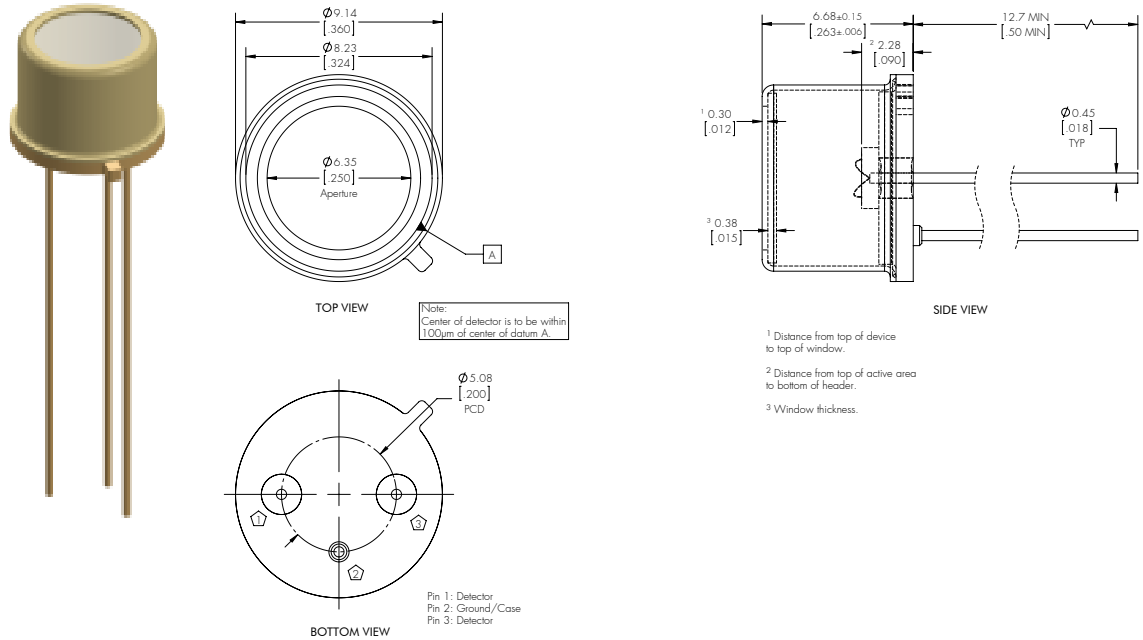
#### 1. PB25S10109S



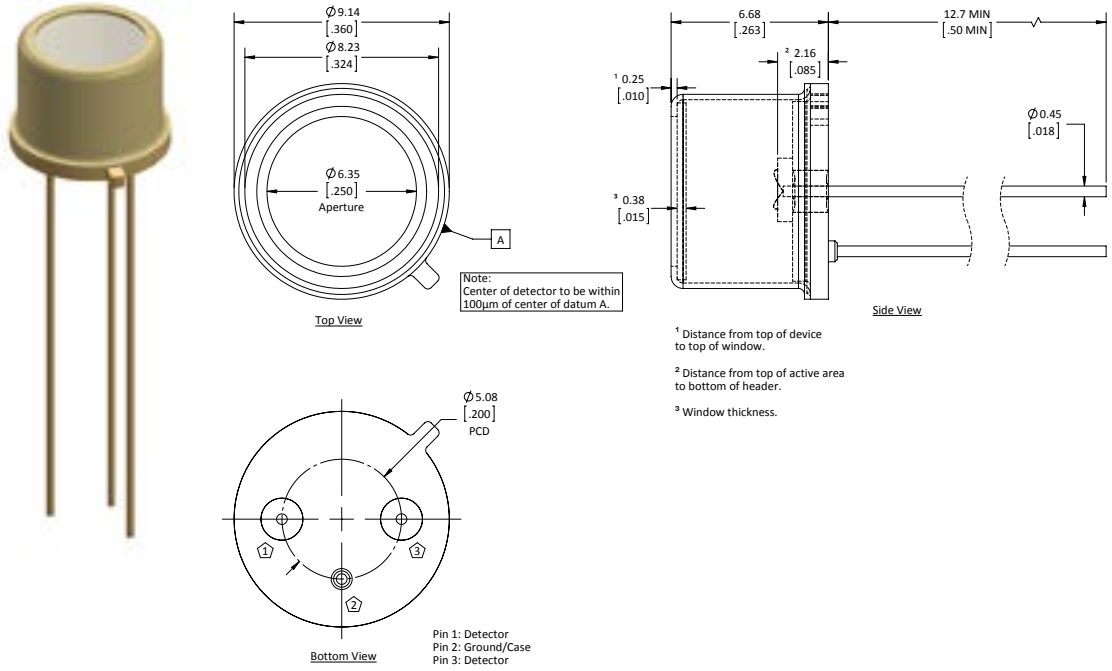
2. PB45S10109S



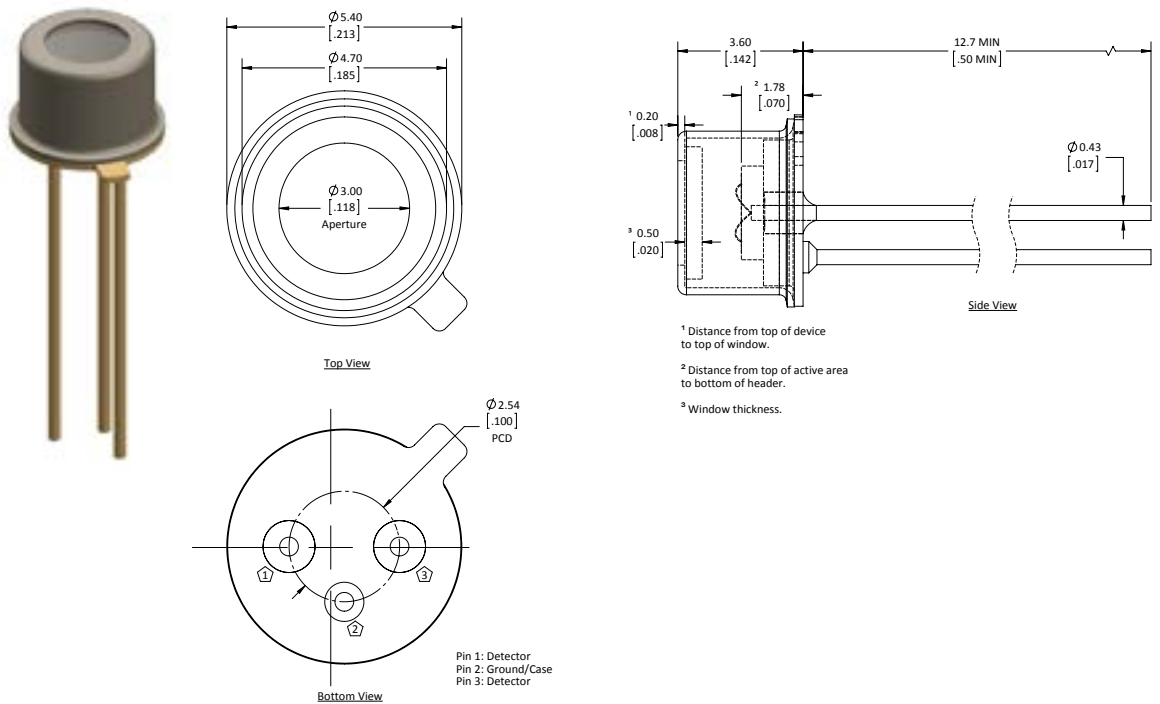
3. PB25S10109M



4. PB45S10109M

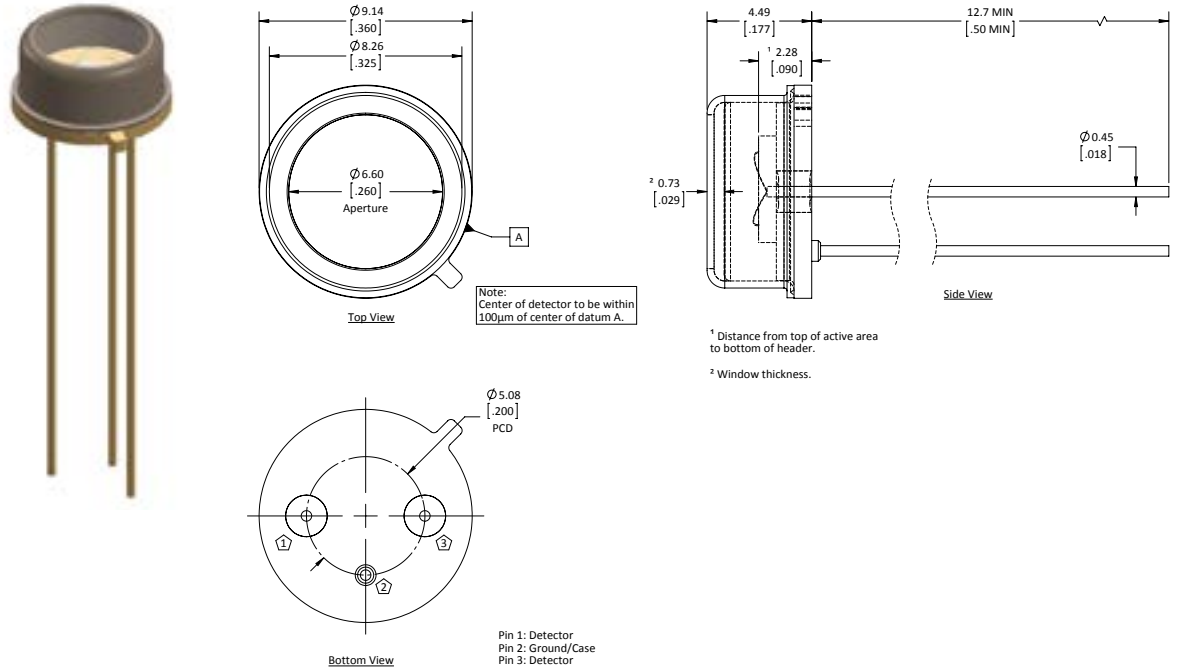


5. PB45S10104S

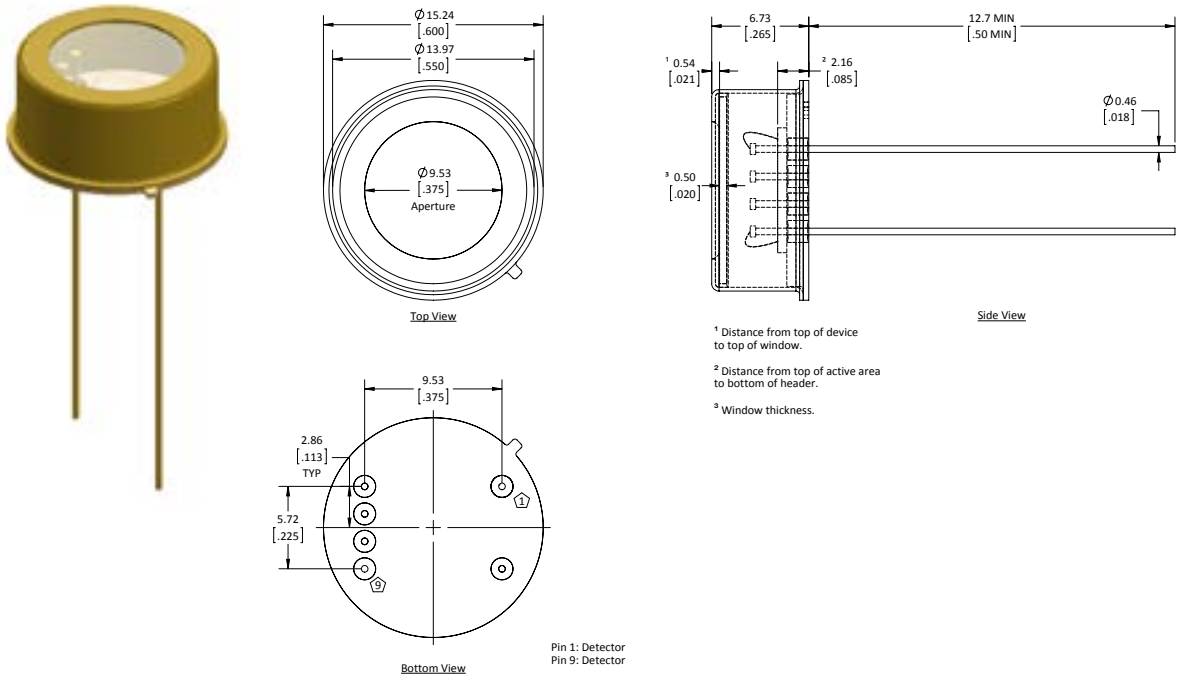


01/20 / V03 / IF / ic:head+sat/pbs:pbse:detector:package:drawings

6. PB25G20209

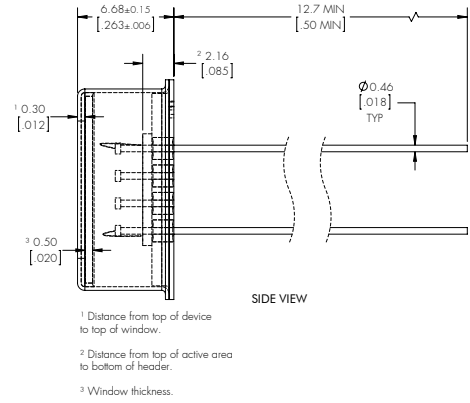
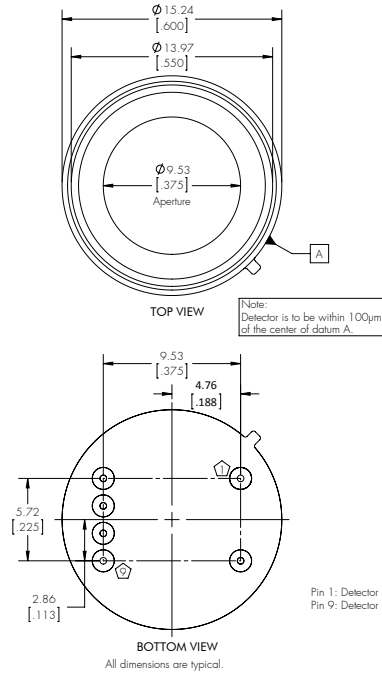
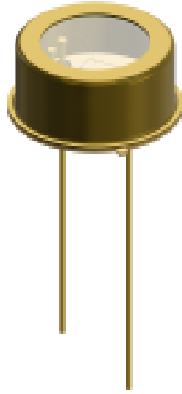


7. PB25S60608M



01/20 / V03 / IF / Iclhead:sa1/pbs:pbse:detector:package:drawings

8. PB45S50508M

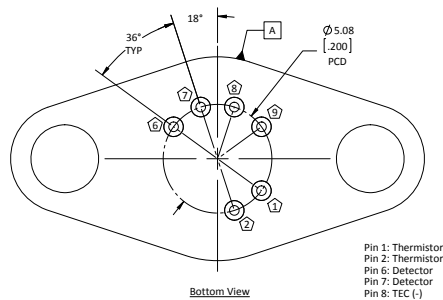
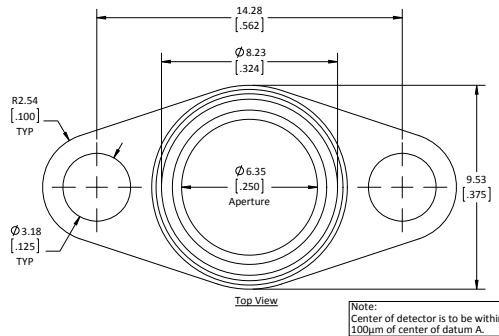
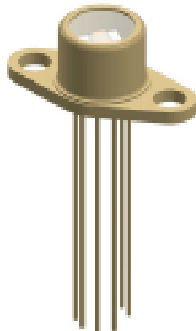


Cooled Detectors

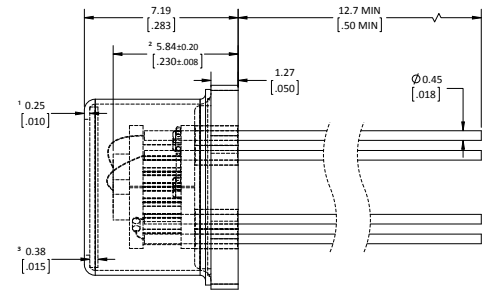
No.	Part Number	Package	Drawing is also valid for:
1.	PB27S1010T17M	TO-37 medium cap	PB27S2020T17M, PB27S3030T17M
2.	PB50S1010T17M	TO-37 medium cap	PB50S2020T17M, PB50S3030T17M
3.	PB27S3030T19M	TO-39 medium cap	
4.	PB50S1010T18M	TO-8 medium cap	
5.	PB27S6060T1S6M	TO-8 medium cap with flange	
6.	PB50S2020T28L	TO-8 large cap	
7.	PB55S3030T2S8L	TO-8 large cap	PB55S1010T2S8L
8.	PB50S3030T27L	TO-37 large cap	

Drawings

1. PB27S1010T17M

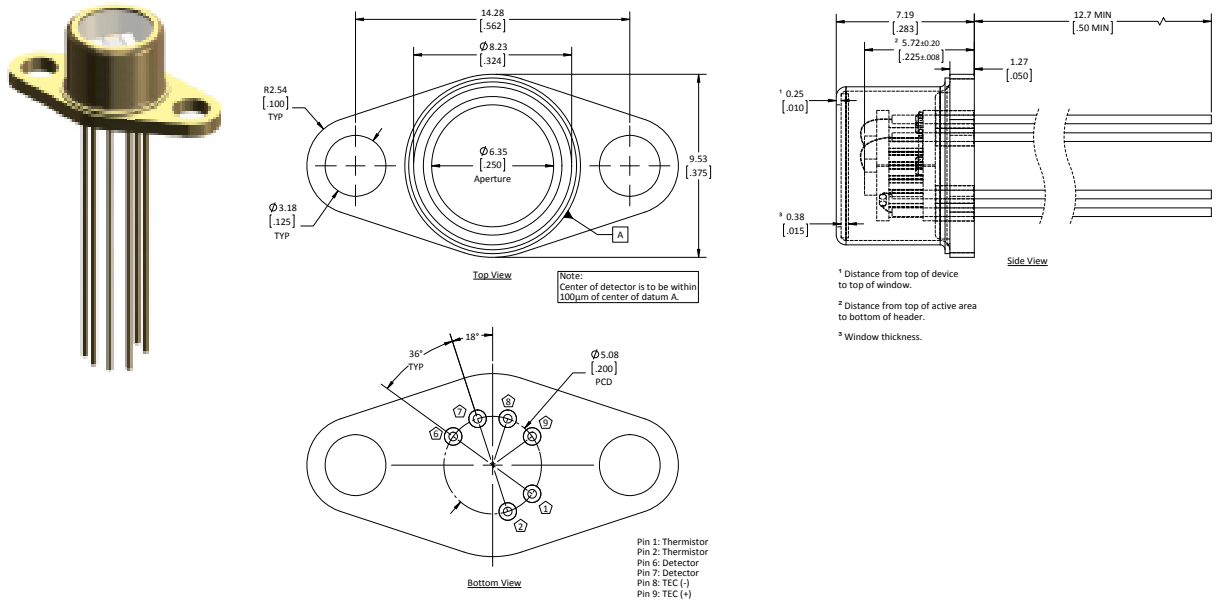


Pin 1: Thermistor  
Pin 2: Thermistor  
Pin 6: Detector  
Pin 7: Detector  
Pin 8: TEC (-)  
Pin 9: TEC (+)

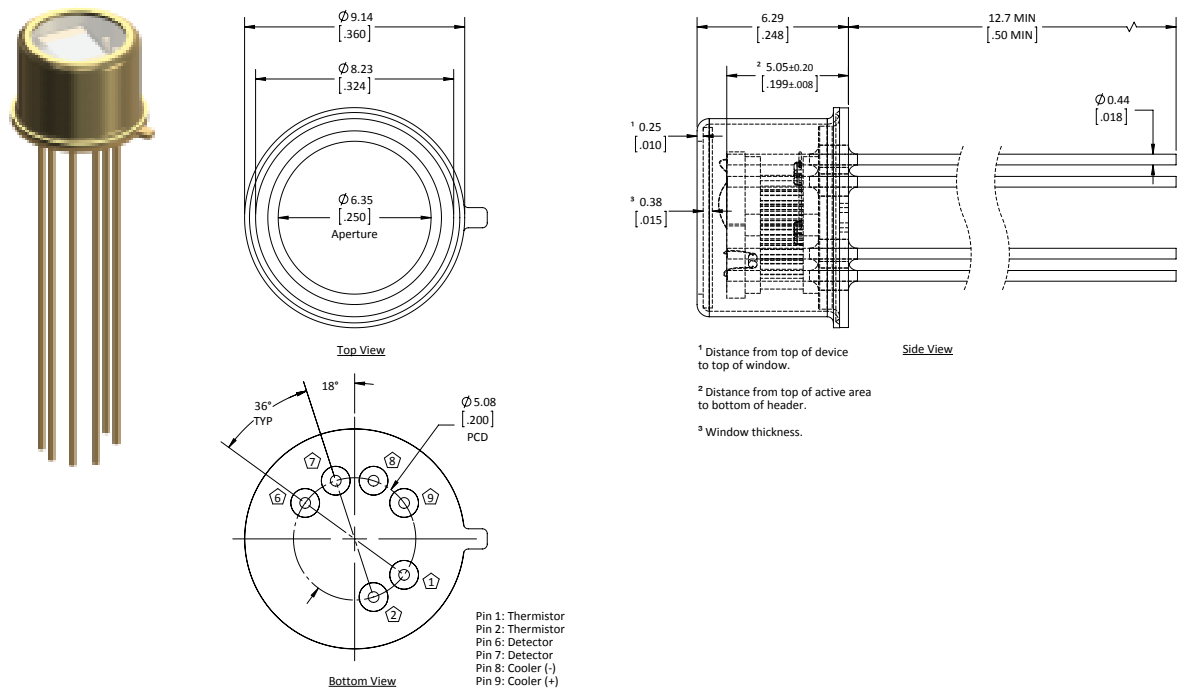


<sup>1</sup> Distance from top of device to top of window.  
<sup>2</sup> Distance from top of active area to bottom of header.  
<sup>3</sup> Window thickness.

2. PB50S1010T17M



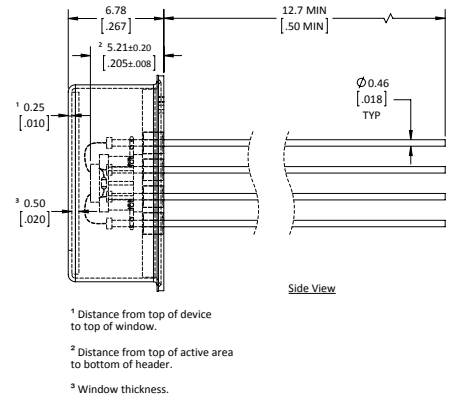
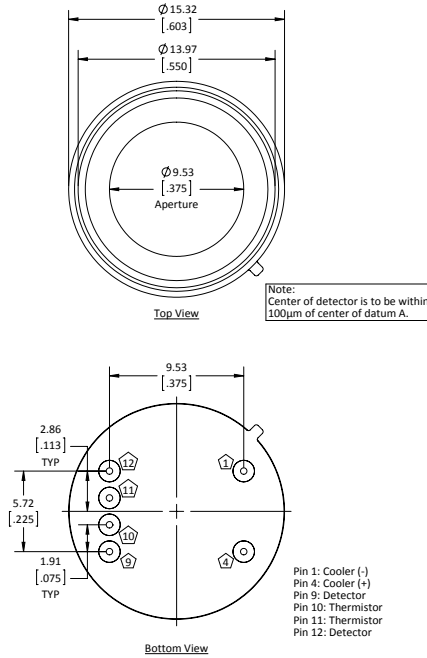
3. PB27S3030T19M



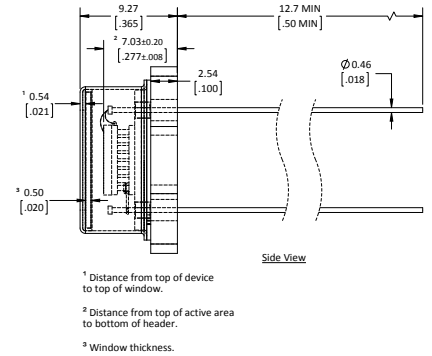
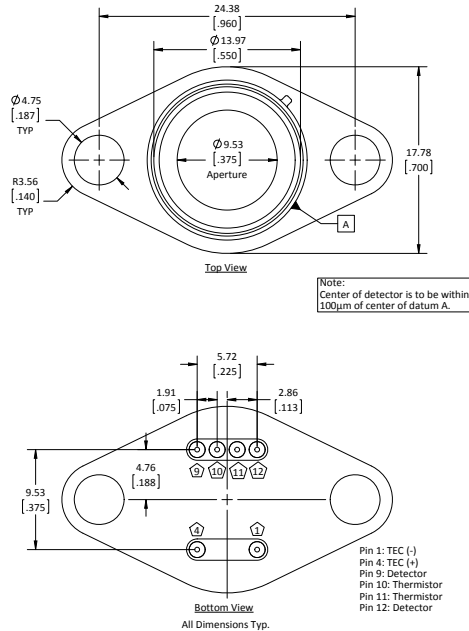
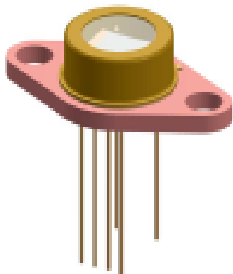
01/20 / V03 / IF / Iclead+alt/pbs-pbse-detector-package-drawings



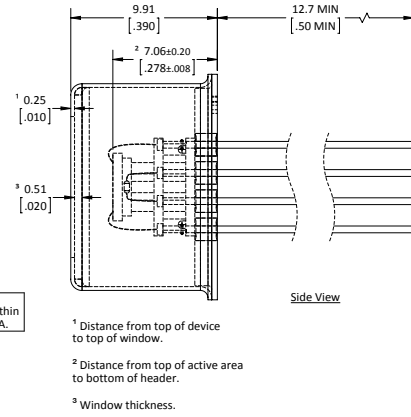
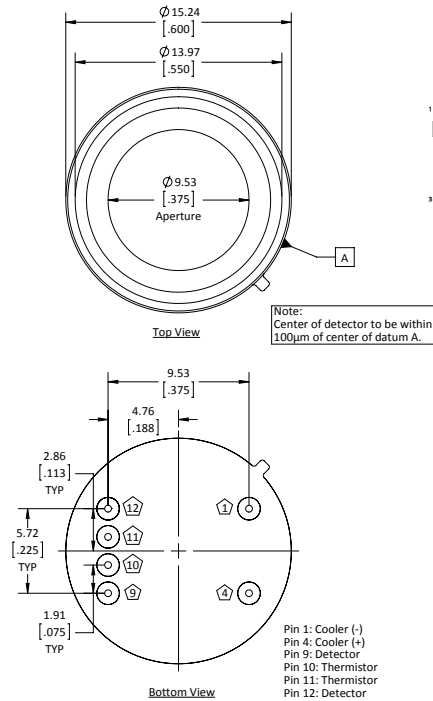
4. PB50S1010T18M



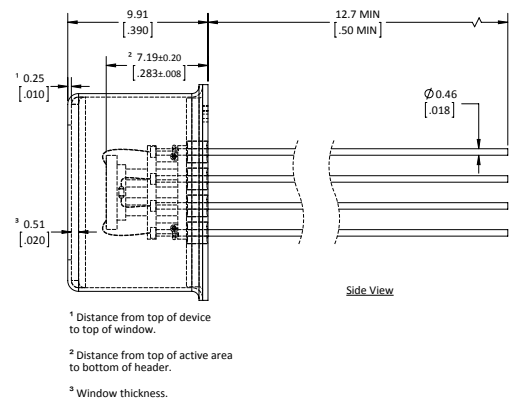
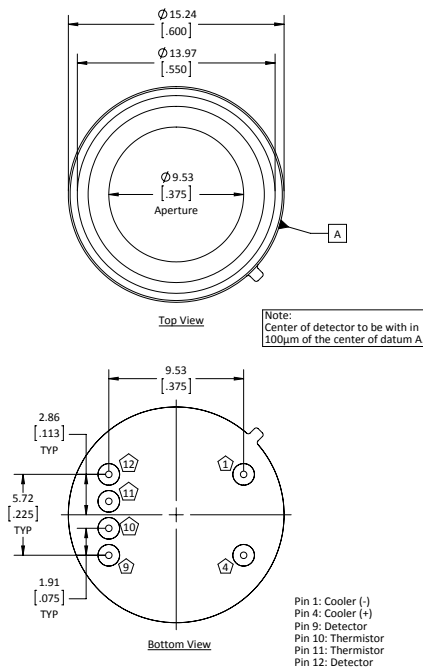
5. PB27S6060T1S6M



6. PB50S2020T28L



7. PB55S3030T2S8L



8. PB50S3030T27L

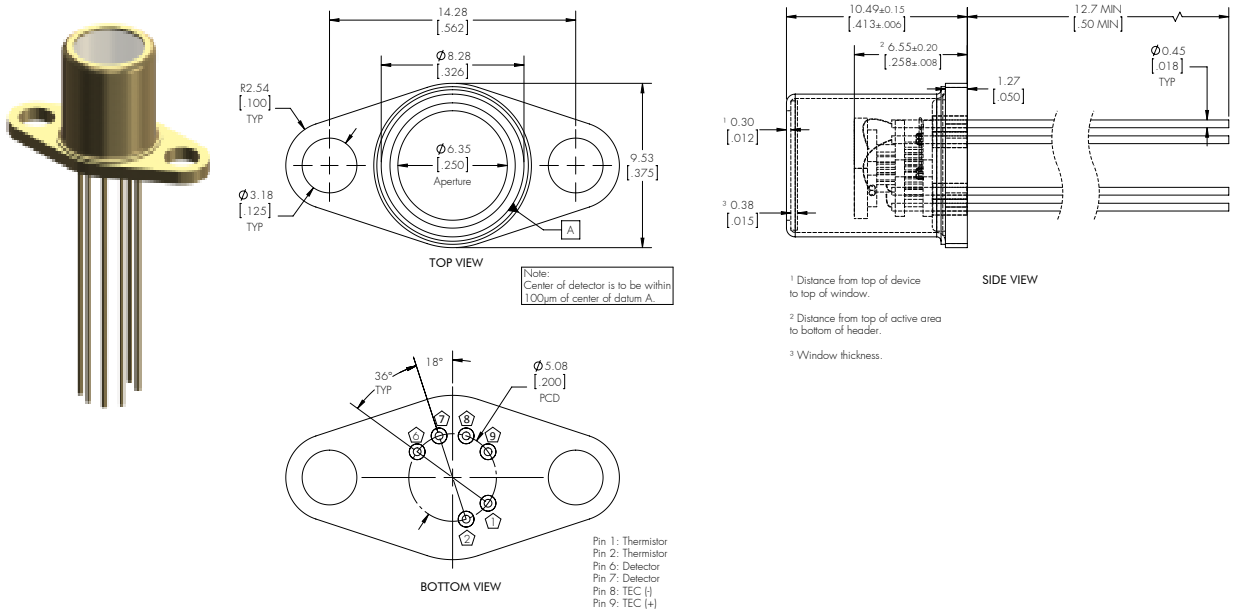
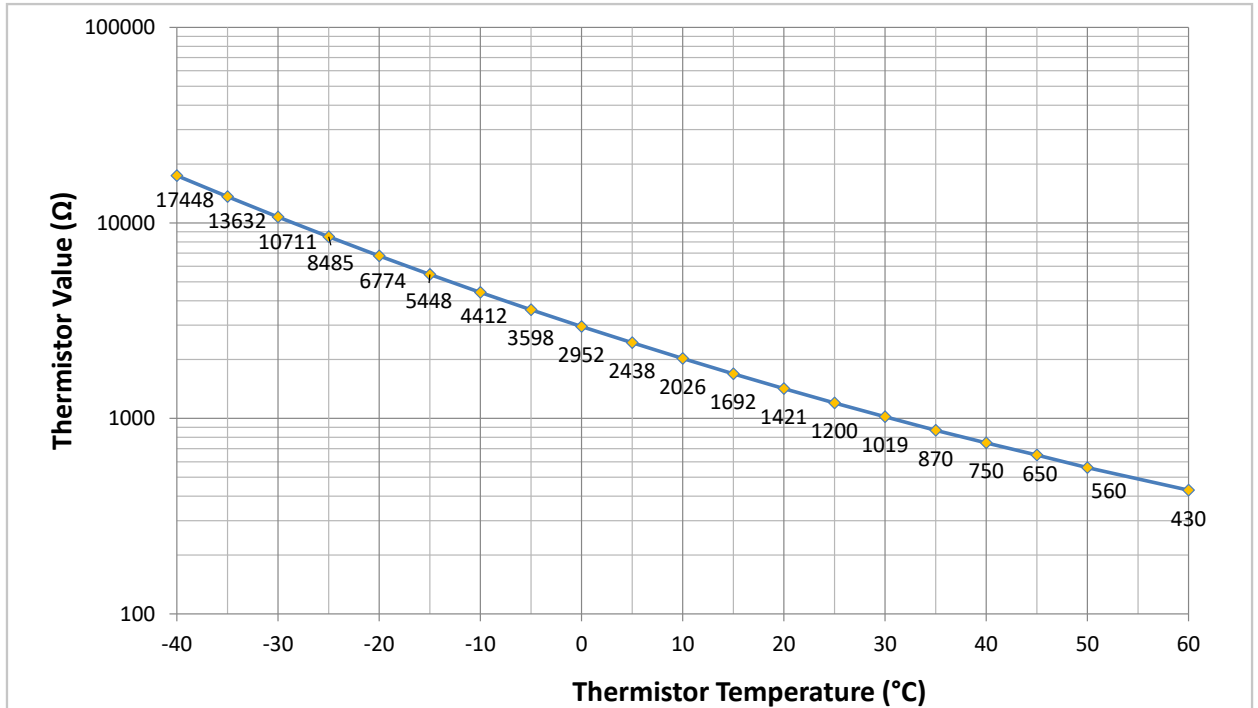


Fig. 1: T1/T1S, T2/T2S Thermistor Temperature Characteristics



01/20 / V03 / IF / Iclhead+salt/pbs/pbse/detector/package-drawings

## Product Changes

LASER COMPONENTS reserves the right to make changes to the product(s) or information contained herein without notice. No liability is assumed as a result of their use or application.

## Ordering Information

Products can be ordered directly from LASER COMPONENTS or its representatives. For a complete listing of representatives, visit our website at [www.lasercomponents.com](http://www.lasercomponents.com)

**Germany & Other Countries**

Laser Components Germany GmbH  
Tel: +49 8142 2864 - 0  
Fax: +49 8142 2864 - 11  
[info@lasercomponents.com](mailto:info@lasercomponents.com)  
[www.lasercomponents.com](http://www.lasercomponents.com)

**France**

Laser Components S.A.S.  
Tel: +33 1 39 59 52 25  
Fax: +33 1 39 59 53 50  
[info@lasercomponents.fr](mailto:info@lasercomponents.fr)  
[www.lasercomponents.fr](http://www.lasercomponents.fr)

**United Kingdom**

Laser Components (UK) Ltd.  
Tel: +44 1245 491 499  
Fax: +44 1245 491 801  
[info@lasercomponents.co.uk](mailto:info@lasercomponents.co.uk)  
[www.lasercomponents.co.uk](http://www.lasercomponents.co.uk)

**Nordic Countries**

Laser Components Nordic AB  
Tel: +46 31 703 71 73  
Fax: +46 31 703 71 01  
[info@lasercomponents.se](mailto:info@lasercomponents.se)  
[www.lasercomponents.se](http://www.lasercomponents.se)

**USA**

Laser Components USA, Inc.  
Tel: +1 603 821 - 7040  
Fax: +1 603 821 - 7041  
[info@laser-components.com](mailto:info@laser-components.com)  
[www.laser-components.com](http://www.laser-components.com)