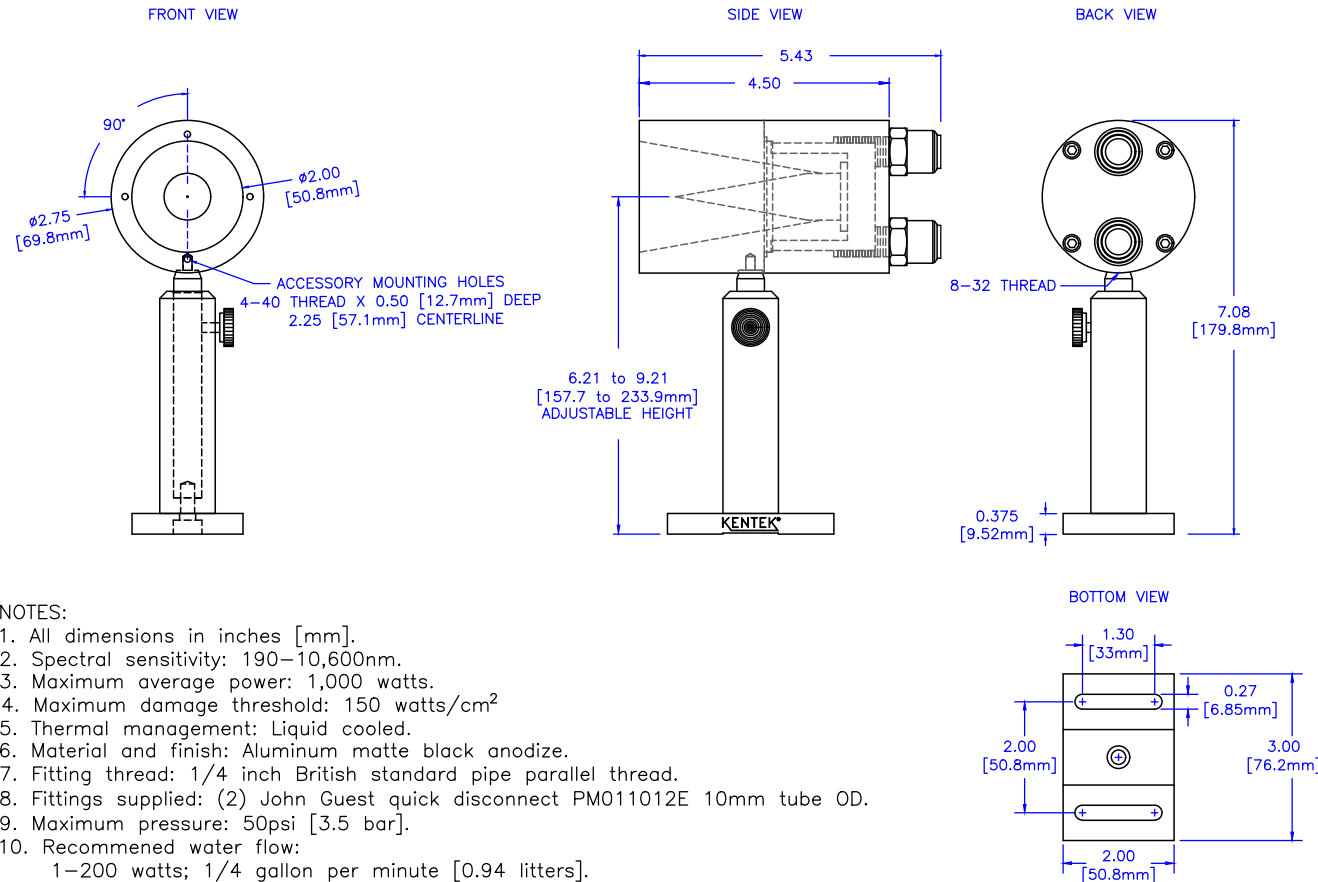


## LC-ABD-2C



### NOTES:

1. All dimensions in inches [mm].
2. Spectral sensitivity: 190–10,600nm.
3. Maximum average power: 1,000 watts.
4. Maximum damage threshold: 150 watts/cm<sup>2</sup>
5. Thermal management: Liquid cooled.
6. Material and finish: Aluminum matte black anodize.
7. Fitting thread: 1/4 inch British standard pipe parallel thread.
8. Fittings supplied: (2) John Guest quick disconnect PM011012E 10mm tube OD.
9. Maximum pressure: 50psi [3.5 bar].
10. Recommended water flow:
  - 1–200 watts; 1/4 gallon per minute [0.94 liters].
  - 201–500 watts; 3/4 gallon per minute [2.83 liters].
  - 501–1000 watts; 1 1/2 gallon per minute [5.67 liters].