

A-CUBE-Series High Sensitivity APD Detector Modules

Description

Laser Components' new A-CUBE range of APD modules has been designed for customers interested in experimenting with APDs. Featuring a low-noise silicon (or InGaAs) APD with matched preamplifier and integrated high voltage supply, the module offers everything needed to operate APDs easily and conveniently. In-built temperature compensation circuitry allows the APD to be operated at constant gain even if the ambient temperature changes. A ± 12 V DC supply is all that is needed to operate the module.

The optional FC connector provides a convenient method for connecting the detector to the sample using an optical fiber.

Custom designed modules and OEM versions are available on request.



Features

- High sensitivity
- Low noise
- Easy handling
- Compact
- RS-232 interface
- Fiber coupling (optional)

Applications

- APD evaluation
- Range finding / LIDAR
- Optical communication systems
- Spectroscopy
- Fluorescence
- Medical

Si-APD Modules

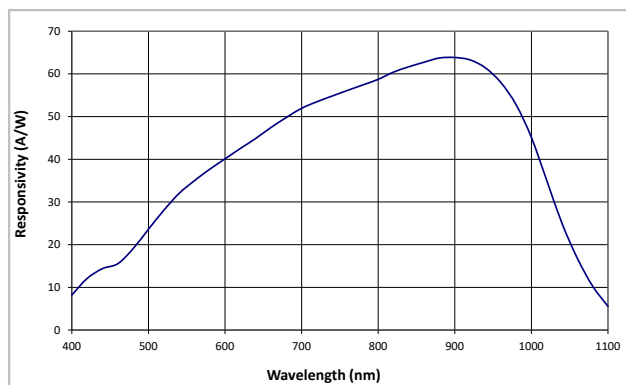
Generic Characteristics @ T = 25 °C

	Min.	Typ.	Max.	Units
Wavelength range	400		1100	nm
Peak sensitivity		905		nm

Absolute Maximum Ratings

	Min.	Typ.	Max.	Units
Supply voltage	±10	±12	±15	V
Operating temperature	0		+50	°C
Storage temperature	-20		+70	°C
Output voltage				
A-CUBE-S500-01/-03/-10/-25/-240				
A-CUBE-S1500-01/-03/-10/-25				
A-CUBE-S3000-01/-03/-10/-25				
(50 Ω) (typical)		+1.5		V
(1 MΩ) (typical)		+3		V
A-CUBE-S500-100				
(50 Ω) (typical)		-1.5		V
(1 MΩ) (typical)		-3		V

Fig. 1: Spectral Response @ M = 100

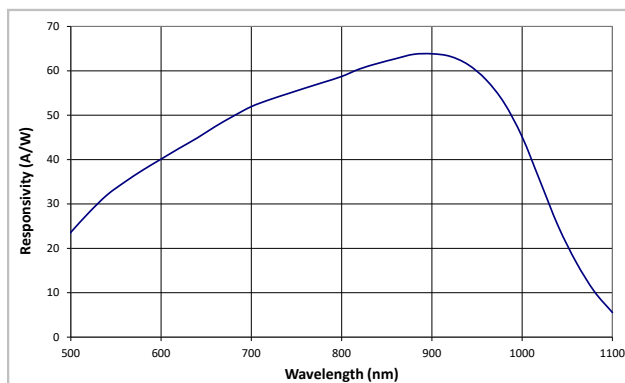


Technical Specifications for 0.5 mm A-CUBE (typical values @ M = 100, 25 °C)

Part Number	A-CUBE-S500-01	A-CUBE-S500-03	A-CUBE-S500-10	A-CUBE-S500-25	A-CUBE-S500-100	A-CUBE-S500-240	Units
Si-APD	SAR500	SAR500	SAR500	SAR500	SAR500	SAR500	
Active area diameter	0.5	0.5	0.5	0.5	0.5	0.5	mm
Wavelength range	400 - 1000	400 - 1000	400 - 1000	400 - 1000	400 - 1000	400 - 1000	nm
Peak sensitivity	905	905	905	905	905	905	nm
Bandwidth	DC - 1	DC - 3	DC - 10	DC - 25	0.01 - 100	0.01 - 240	MHz
Responsivity							
540 nm	270	27	2.7	0.27	15.0	5.4	MV/W
650 nm	400	40	4	0.4	22.0	8.0	MV/W
905 nm	500	50	5	0.5	27.0	10.0	MV/W
NEP							
540 nm	11	11	55	150	70	75	fW/rtHz
650 nm	7.5	7.5	37.5	100	45	50	fW/rtHz
905 nm	6	6	30	80	40	40	fW/rtHz
Output noise density	3000	300	150	40	1000	400	nV/rtHz
Input referred noise density (maximum)	0.3	0.3	1.5	4	2	2	pA/rtHz
Maximum irradiated power (saturation threshold) at 905 nm, 50 Ohm	3	30	300	3000	56	150	nW

Note: Noise measured at 100 kHz.

Fig. 2: Spectral Response @ M = 100



Technical Specifications for 1.5 mm A-CUBE (typical values @ M = 100, 25 °C)

Part Number	A-CUBE-S1500-01	A-CUBE-S1500-03	A-CUBE-S1500-10	A-CUBE-S1500-25	Units
Si-APD	SAR1500	SAR1500	SAR1500	SAR1500	
Diameter	1.5	1.5	1.5	1.5	mm
Wavelength range	400 - 1000	400 - 1000	400 - 1000	400 - 1000	nm
Peak sensitivity	905	905	905	905	nm
Bandwidth *	DC - 1	DC - 3	DC - 10	DC - 25	MHz
Responsivity					
540 nm	270	27	2.7	0.27	MV/W
650 nm	400	40	4	0.4	MV/W
905 nm	500	50	5	0.5	MV/W
NEP					
540 nm	11	37	55	150	fW/rtHz
650 nm	7.5	25	37.5	100	fW/rtHz
905 nm	6	20	30	80	fW/rtHz
Output noise density	3000	1000	150	40	nV/rtHz
Input referred noise density (maximum)	0.3	1	1.5	4	pA/rtHz
Maximum irradiated power (saturation threshold) at 905 nm, 50 Ohm	3	30	300	3000	nW

Note: Noise measured at 100 kHz.

A-CUBE1500-01 and A-CUBE1500-03 will saturate with high background light levels due to their very high sensitivity.

Operation in environments with high background levels (e.g. daylight) is therefore not recommended.

* Custom versions up to 240 MHz are available on request.

Germany and Other Countries

Laser Components Germany GmbH
Tel: +49 8142 2864-0
Fax: +49 8142 2864-11
info@lasercomponents.com
www.lasercomponents.com

France

Laser Components S.A.S.
Tel: +33 1 39 59 52 25
Fax: +33 1 39 59 53 50
info@lasercomponents.fr
www.lasercomponents.fr

United Kingdom

Laser Components (UK) Ltd.
Tel: +44 1245 491 499
Fax: +44 1245 491 801
info@lasercomponents.co.uk
www.lasercomponents.co.uk

Nordic Countries

Laser Components Nordic AB
Tel: +46 31 703 71 73
Fax: +46 31 703 71 01
info@lasercomponents.se
www.lasercomponents.se

USA

Laser Components USA, Inc.
Tel: +1 603 821-7040
Fax: +1 603 821-7041
info@laser-components.com
www.laser-components.com

Technical Specifications for 3 mm A-CUBE (typical values @ M = 100, 25 °C)

Part Number	A-CUBE-S3000-01	A-CUBE-S3000-03	A-CUBE-S3000-10	A-CUBE-S3000-25	Units
Si-APD	SAR3000	SAR3000	SAR3000	SAR3000	
Diameter	3	3	3	3	mm
Wavelength range	400 - 1000	400 - 1000	400 - 1000	400 - 1000	nm
Peak sensitivity	905	905	905	905	nm
Bandwidth	DC - 1	DC - 3	DC - 10	DC - 25	MHz
Responsivity					
540 nm	270	27	2.7	0.27	MV/W
650 nm	400	40	4	0.4	MV/W
905 nm	500	50	5	0.5	MV/W
NEP					
540 nm	15	37	55	225	fW/rtHz
650 nm	11	25	38	150	fW/rtHz
905 nm	9	20	30	120	fW/rtHz
Output noise density	4000	1000	150	60	nV/rtHz
Input referred noise density (maximum)	0.4	1	1.5	6	pA/rtHz
Maximum irradiated power (saturation threshold) at 905 nm, 50 Ohm	3	30	300	3000	nW

Note: Noise measured at 100 kHz.

A-CUBE3000-01 and A-CUBE3000-03 will saturate with high background light levels due to their very high sensitivity. Operation in environments with high background levels (e.g. daylight) is therefore not recommended.

Germany and Other Countries

Laser Components Germany GmbH
Tel: +49 8142 2864-0
Fax: +49 8142 2864-11
info@lasercomponents.com
www.lasercomponents.com

France

Laser Components S.A.S.
Tel: +33 1 39 59 52 25
Fax: +33 1 39 59 53 50
info@lasercomponents.fr
www.lasercomponents.fr

United Kingdom

Laser Components (UK) Ltd.
Tel: +44 1245 491 499
Fax: +44 1245 491 801
info@lasercomponents.co.uk
www.lasercomponents.co.uk

Nordic Countries

Laser Components Nordic AB
Tel: +46 31 703 71 73
Fax: +46 31 703 71 01
info@lasercomponents.se
www.lasercomponents.se

USA

Laser Components USA, Inc.
Tel: +1 603 821-7040
Fax: +1 603 821-7041
info@laser-components.com
www.laser-components.com

InGaAs-APD Modules

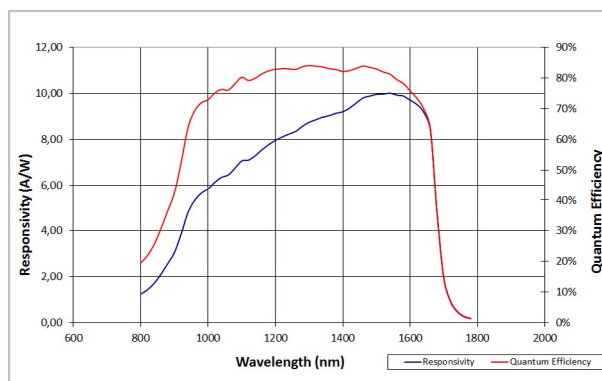
Generic Characteristics @ T = 25 °C

	Min.	Typ.	Max.	Units
Wavelength range	1000		1700	nm
Peak sensitivity		1550		nm

Absolute Maximum Ratings

	Min.	Typ.	Max.	Units
Supply voltage	±10	±12	±15	V
Operating temperature	0		+50	°C
Storage temperature	-20		+70	°C
Output voltage				
A-CUBE-I200-01/-03/-10/-25/-240				
(50 Ω) (typical)			+1.6	V
(1 MΩ) (typical)			+2.5	V
A-CUBE-I200-100				
(50 Ω) (typical)			-1.6	V
(1 MΩ) (typical)			-2.5	V

Fig. 3: Spectral Response and Quantum Efficiency (M = 10 @ 1550 nm)



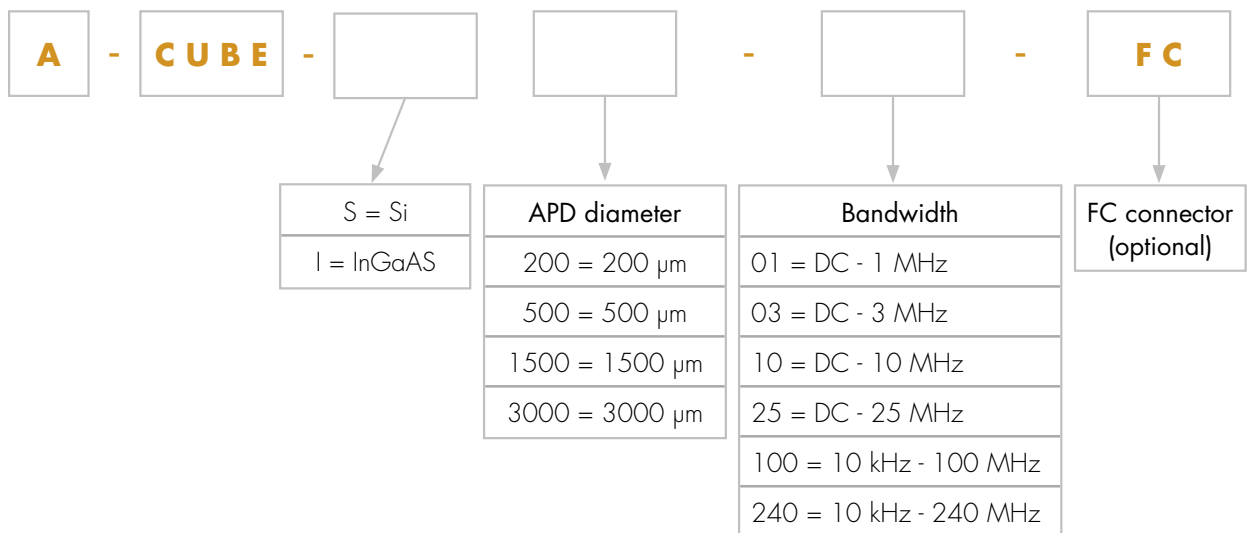
07/23 / V10 / Math/IF / lcelectronics/arcubeapddetector-modules

Technical Specifications for 200 μm A-CUBE-Module (typical values @ $M = 10, 25^\circ\text{C}$)

Part Number	A-CUBE-1200-01	A-CUBE-1200-03	A-CUBE-1200-10	A-CUBE-1200-25	A-CUBE-1200-100	A-CUBE-1200-240	Units
InGaAs-APD	IAG200	IAG200	IAG200	IAG200	IAG200	IAG200	
Diameter	200	200	200	200	200	200	μm
Wavelength range	900 - 1700	900 - 1700	900 - 1700	900 - 1700	900 - 1700	900 - 1700	nm
Peak sensitivity	1550	1550	1550	1550	1550	1550	nm
Bandwidth	DC - 1	DC - 3	DC - 10	DC - 25	0.01 - 100	0.01 - 240	MHz
Responsivity 1550 nm	94	9.4	0.94	0.094	0.50	0.19	MV/W
NEP 1550 nm	32	64	160	425	200	300	fW/rtHz
Output noise density	3000	600	150	40	1000	500	nV/rtHz
Input referred noise density (maximum)	0.3	0.6	1.5	4	2	3	pA/rtHz
Maximum irradiated power (saturation threshold) at 1550 nm, 50 Ohm	0.017	0.17	1.7	17	3.2	8.4	μW

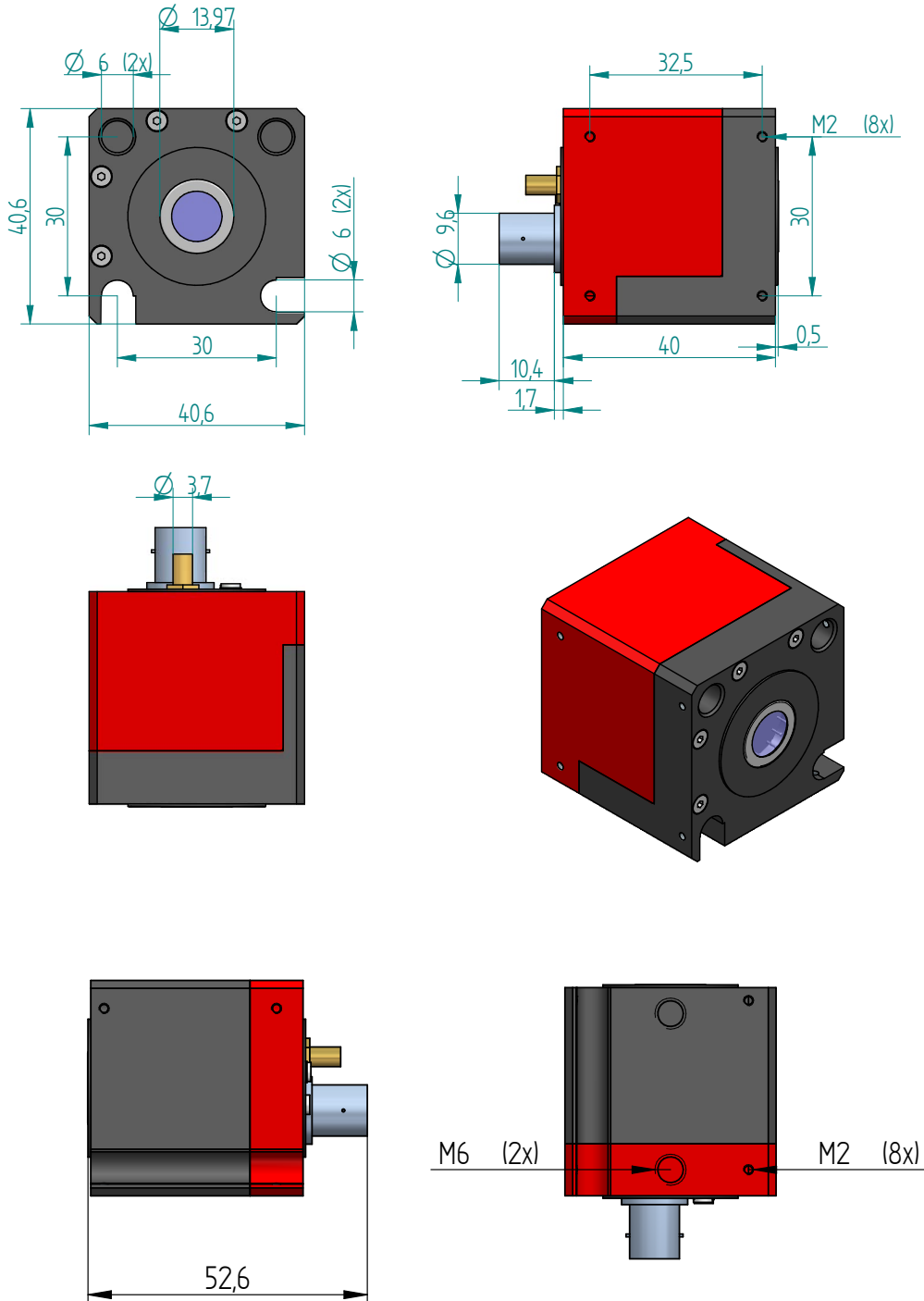
Note: Noise measured at 100 kHz.

Product Number Designations



07/23 / V10 / Math/IF / lcelectronics/arcubeapddetector-modules

Package Drawings



Dimensions in [mm]

PIN Configuration

P1 HV bias voltage adjustment
P2 R_{TK} temperature compensation adjustment

M9	1	GND	
	2	+ V_{op}	Operating voltage +12 V/300 mA
	3	R x D	Receive input (RS 232)
	4	- V_{op}	Operating voltage -12 V/300 mA
	5	T x D	Transmit output (RS 232)

