

M10 & M16 Vacuum Fiber Optic Adapter Feedthrough Hermetic Fiber Optic Feedthrough with Adapter Interface

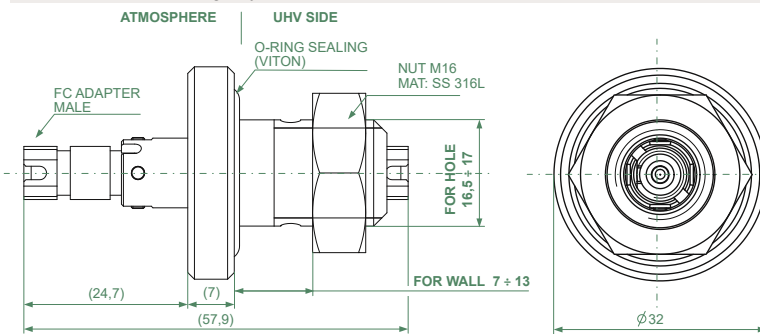


Adapter Interface	FC/APC or FC/PC (SS 304L, FEMALE)
Flange	M16 thread (SS 316L)
Type of fiber	SM (VIS, NIR), MM (UV, VIS, NIR), PM (VIS, NIR)
Hermeticity [mbar.l/s]	10^{-10} to 10^{-12}
Insertion loss [dB]	max. 0,8 (typ. 0,5) @1310/1550nm
Operating temperature [°C]**	-25 to +180

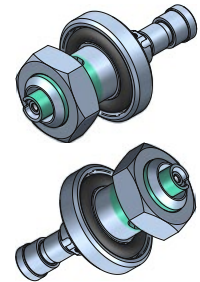
* Connector interface is fully removable from flange.
 ** The connector interface and zirconium mating sleeve is replaceable within feedthrough
 *** Depends on the Fiber type

The feedthrough assembly which consists of M10&M16 flange and single-channel feedthrough with FC MALE interface. M10&M16 vacuum fiber optic adapter feedthrough construction has been optimized for high vacuum applications. This is a solution suitable for a wall thickness of 6 ± 15 mm (M10) & of 7 ± 13 mm (M16) with a hole diameter of 10.5 to 11mm (M10) & 16.5 to 17 mm (M16). Application examples can be seen in various industries, also in military applications, oil and gas applications, etc. Fiber optic feedthrough flange is fully demountable, i.e. connector interface can be easily replaced. SQS has developed its own technology for the optical fiber sealing. This technology allows working with different types of optical fibers including polarization maintaining fibers (PM).

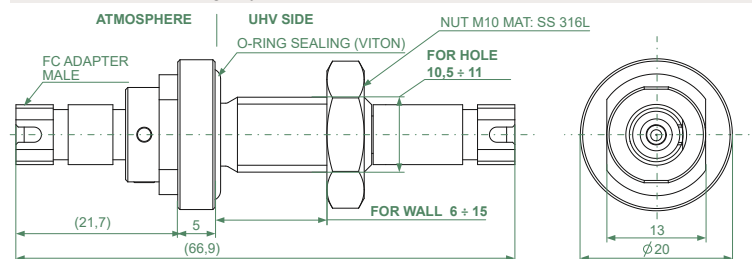
Fiber Optic Feedthrough Type M10



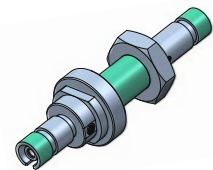
3D drawing Feedthrough Type M16



Fiber Optic Feedthrough Type M16



3D drawing Feedthrough Type M16



M16 Vacuum Fiber Optic Feedthrough



M10 Vacuum Fiber Optic Feedthrough



M10 Vacuum Fiber Optic Feedthroughs

