

Vacuum Hermetic Fiber Optic Feedthroughs

Hermetic Fiber Optic feedthroughs with adapter interface

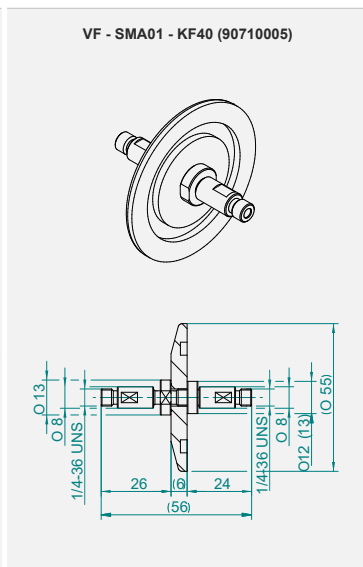
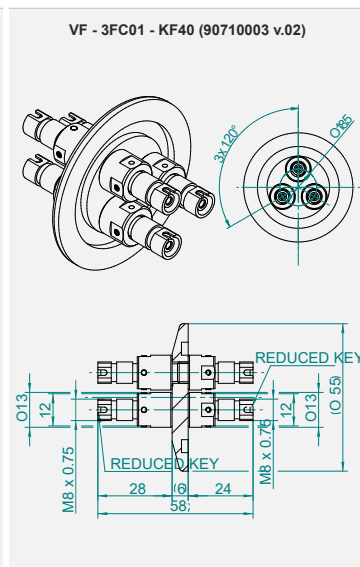
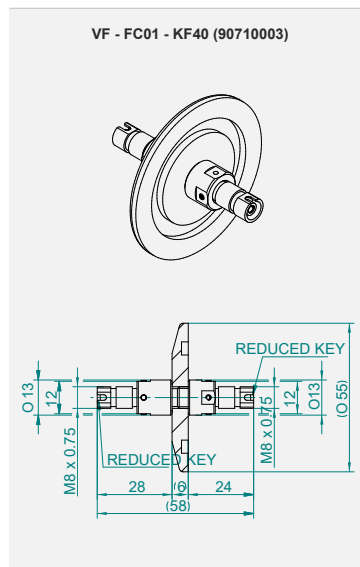
SQS offers hermetic fiber optic feedthrough with special adapter interface. The design was optimized for UHV applications as well as for the application where two areas must be separated with high pressure difference. Example of applications can be used in various branches of industry, in military applications, oil and gas appl. etc. Fiber optic feedthrough flange is fully demountable. i.e. feedthroughs can be easily replaced. SQS has developed its own technology for the fiber sealing. This technology allows to work with different types of optical fibers including the polarization maintaining fibers (PM).

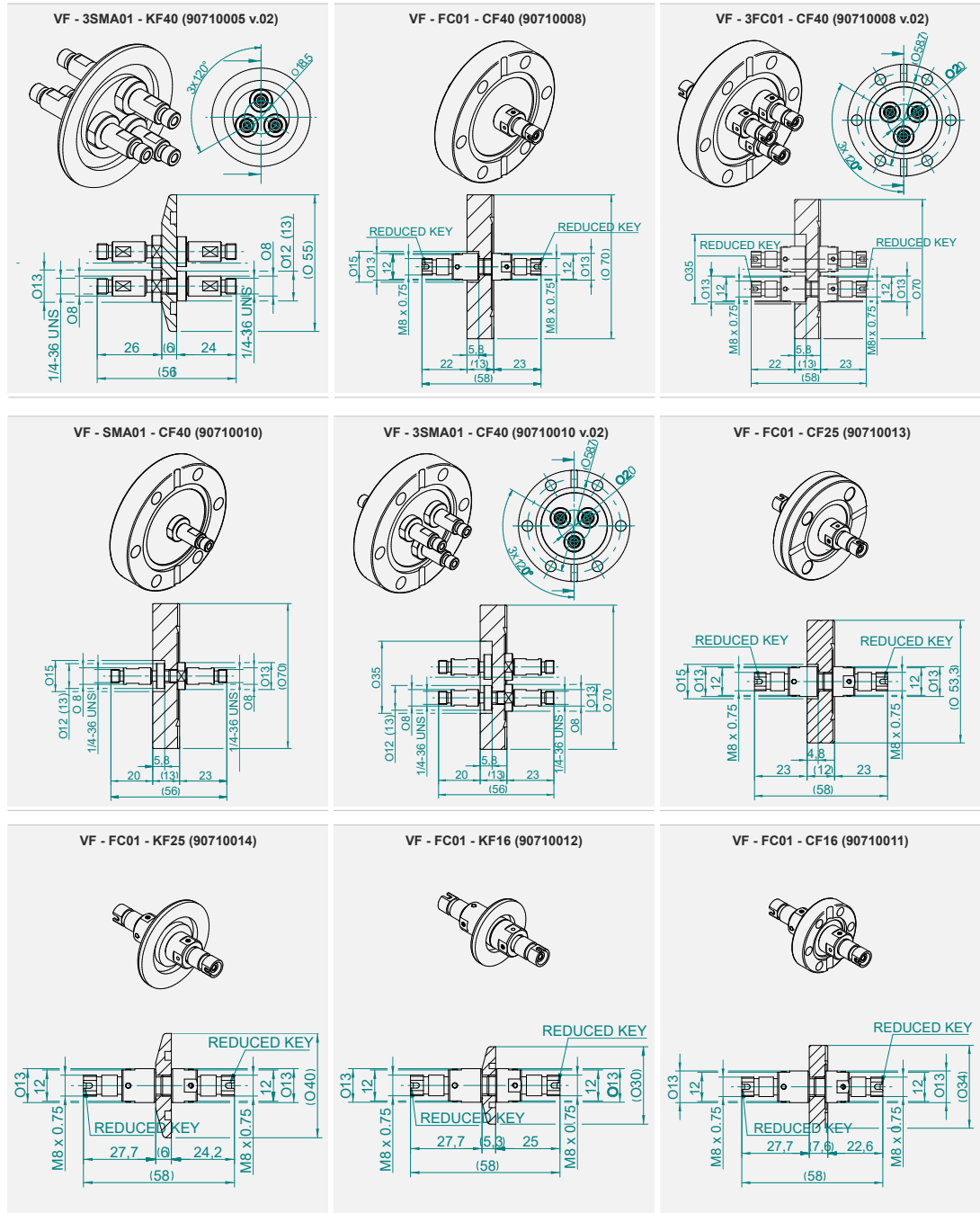
Note: Various feedthrough- fiber type combinations within one flange available.

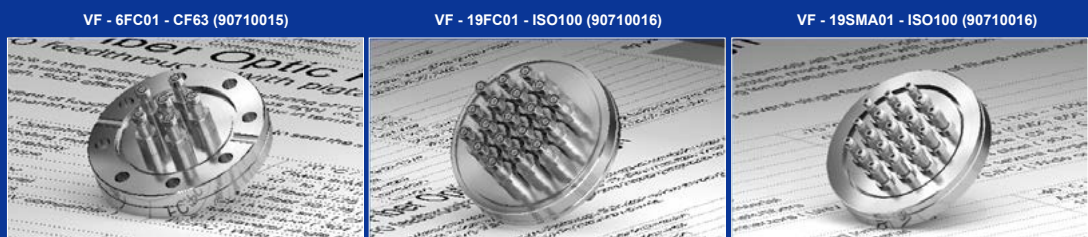
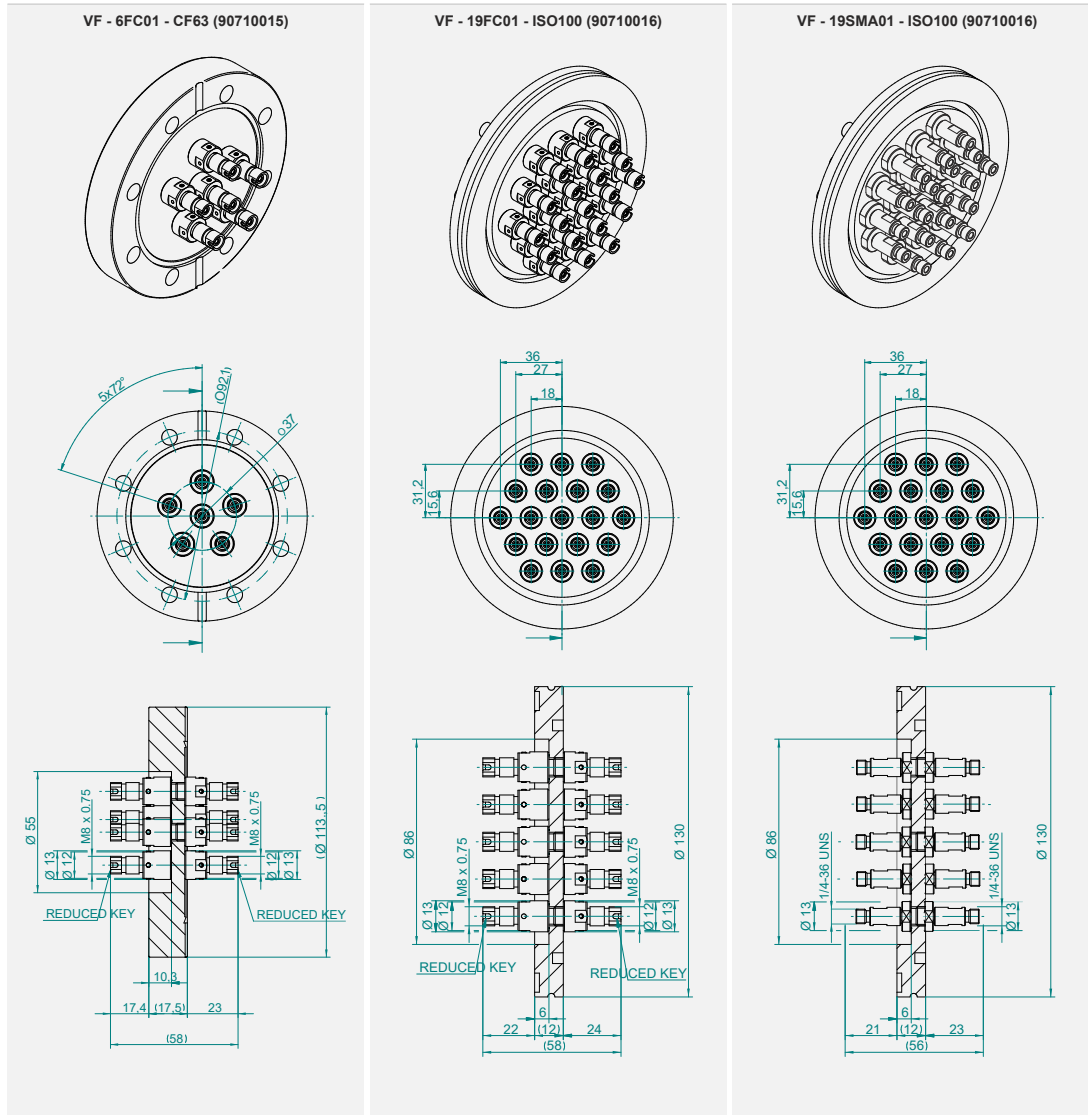


High Vacuum (HV) & Ultra High Vacuum (UHV)	
Operating temperature	-40 +200°C
Sealing material	Adhesive
Hermeticity	10 ⁻¹⁰ to 10 ⁻¹² mbar.l/s
Flange type	CF, KF, without flange
Flange material	Stainless steel - 304, 304L, 316L, other
Housing material	Stainless steel - 304L, other
Channels (feedthroughs per flange)	Depends on flange size*
Adapter interface	FC/APC, FC/PC, SMA 905 (FSMA) , ST**
Fiber type	SM (405 - 2000nm), MM (UV, VIS, NIR)

* All feedthroughs are fully removable from flange
 ** Adapters and zircon mating sleeve are replaceable within feedthrough's







07/20 / V1 / AHHW / sqs/hermetic-fiber-feedthrough