



# User Manual

LDP-C 18-05	LDP-CW 18-05
LDP-C 40-05	LDP-CW 40-05
LDP-C 50-05	LDP-CW 50-05







Rev. 1905

## Table of Contents

Please pay Attention to all Safety Warnings!	2
Product Family Overview and Parameters	3
LDP-C Capacitor Bank	4
Description of Connections and Jumpers	5
How to get started	7
Dos and Don'ts	8
Functional Description	9
Interface Specification	10
Active Current Limit	11
Current Rise Time Adjustment (applies to LDP-C Series only)	11
Effect of Laser Diode Connection on the Pulse Shape (applies to LDP-C Series only)	12
Test Load	12
Analog Modulation	13
Power Supply	14
Soft Start	14
Cooling	14
Overtemperature Shutdown	15
Absolute maximum Ratings	15
Mechanical Dimensions	15

## Please pay Attention to all Safety Warnings!

Symbols used in this manual:

-  Risk of electrical hazard
-  Please pay special attention
-  Do not
-  Valuable information, remark

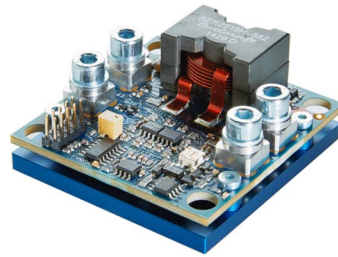
## Product Family Overview and Parameters

All base specifications for the corresponding LDP-CW also apply to the LDP-C version.

Technical Data	LDP-CW 18-05	LDP-CW 40-05	LDP-CW 50-05
Output Current Range	1 .. 18 A	1 .. 40 A	1 .. 50 A
Compliance Voltage	5 V	5 V	5 V
Maximum Output Power	90 W	200 W	250 W
Power Dissipation	12 W absolute maximum	30 W absolute maximum	30 W absolute maximum
Current Ripple	< 200 mA	< 400 mA	< 400 mA
Ripple Frequency	> 400 kHz	> 200 kHz	> 200 kHz
Current Overshoot	< 1%	< 1%	< 1%
Analog Modulation (5 A peak-peak)	< 16 kHz	< 16 kHz	< 16 kHz
Current Settling Time (0 .. 100%)	< 150 µs	< 60 µs	< 60 µs
Current Setpoint (external)	0 .. 0.72 V (25 A/V)	0 .. 1.6 V (25 A/V)	0 .. 2 V (25 A/V)
Current Sensing Monitor	25 A/V	25 A/V	25 A/V
LD-Voltage Sensing Monitor	0.1 V/V	0.1 V/V	0.1 V/V
Supply Voltage	4 .. 6 V DC min 1 V above compliance voltage	4 .. 6 V DC min 1 V above compliance voltage	4 ... 6 V DC min 1 V above compliance voltage
Dimensions in mm	60.9 x 57.8 x 26.3 Half brick size	60.9 x 57.8 x 26.3 Half brick size	60.9 x 57.8 x 26.3 Half brick size
Weight	154 g	154 g	154 g
Operating Temperature	0 .. +55 °C	0 .. +55 °C	0 .. +55 °C
Technical Data	LDP-C 18-05	LDP-C 40-05	LDP-C 50-05
Pulse Current Rise Time	400 ns .. 1 µs adjustable	400 ns .. 1 µs adjustable	400 ns .. 1 µs adjustable
Pulse Trigger Delay (typical)	200 ns	200 ns	200 ns
Min./Max. Pulse Duration	< 1 µs to cw	< 1 µs to cw	< 1 µs to cw
Pulse Repetition Rate (Frequency)	single shot to 500 kHz	single shot up to 500 kHz	single shot to 500 kHz
Pulse Trigger Input	5 V TTL into 500 Ω	5 V TTL into 500 Ω	5 V TTL into 500 Ω
Dimensions in mm	60.9 x 57.8 x 54.0 (including capacitor bank)	60.9 x 57.8 x 54.0 (including capacitor bank)	60.9 x 57.8 x 54.0 (including capacitor bank)
Weight	194 g	194 g	194 g

### LDP-C Capacitor Bank

For some pulsed applications your power supply might be too weak. Therefore we add an additional capacitor bank to each LDP-C diode driver which buffers the power of the supply voltage. If not needed you can dismount it and save space.



**LDP-CW driver**

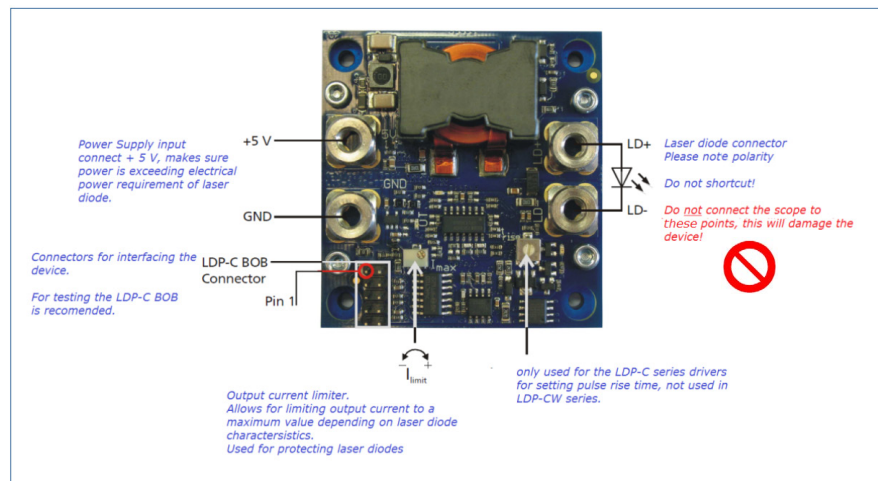


**LDP-C driver with capacitor bank**

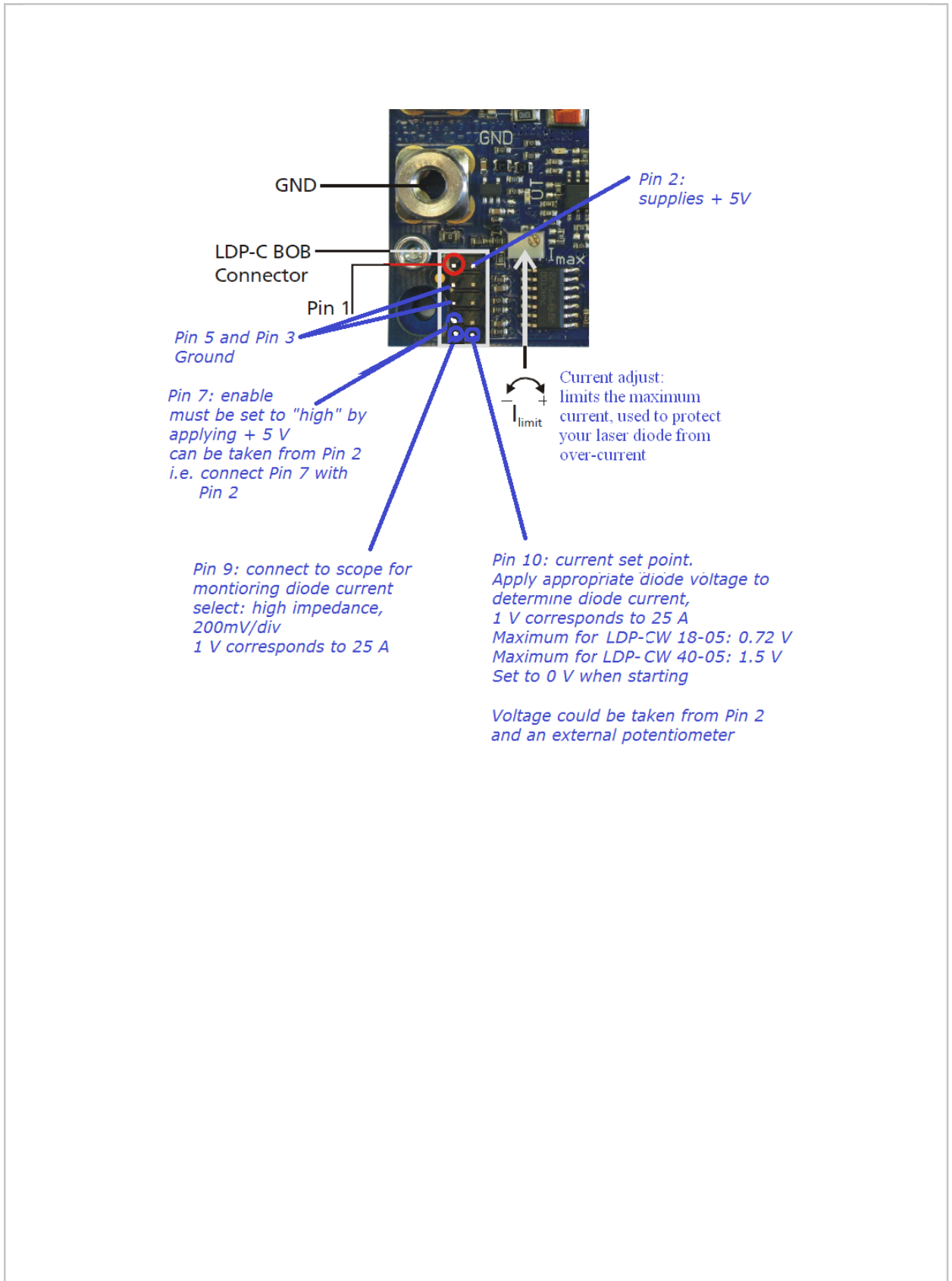
## Description of Connections and Jumpers

The following drawing shows all connections and potentiometers that are available to the user.

LDP-C BOB	Connector for Breakout board. See page 10 for detailed information
Trise	Potentiometer for current rise time adjustment
+5 V	Supply voltage
GND	Supply ground
LD+	Positive laser diode output (anode)
LD-	Negative laser diode output (cathode). Do not connect to ground!
Ilimit	Potentiometer for active current limit



For a more convenient use of the diode driver (e.g. for laboratory use) we recommend the optional available product LDP-C BOB. Please see LDP-C BOB manual for further details.



## How to get started

Step	What to do	Note
1	Unpack your device and place it in front of you like shown on the previous page.	
2	Apply a dummy load at the output (e.g. a fast recovery diode). The laser diode output is on the right side. Please pay attention to polarity.	Dummy load must be a valid equivalent to a laser diode (e.g. concerning parasitic capacitance, compliance voltage).
3	Set the current setpoint input to 0. This is done by feeding 0 V into pin 10.	Connect a voltage source or a potentiometer to pin 10 of the BOB connector and set it to 0 V.
4	Connect a pulse source to the triggering input on pin 6 (only for the LDP-C series). For the LDP-CW drivers pin 6 is always high.	For example: 100 $\mu$ s, 5 V TTL, 100 Hz.
5	Connect a scope to the diode current monitor output IDiode on pin 9. Ground is on pin 3 or pin 5.	Select high impedance termination, trigger on positive rising edge, 200 mV/div.
6	Apply the supply voltage. (+5 V DC) Input for the supply voltage are the two contacts (screws) on the left. Please pay attention to polarity.	Make sure that the supply voltage can deliver enough energy to be stable during the pulses.
7	Set enable pin 7 to "high". +5 V voltage might be taken from pin 2	Apply +5 V to pin 7 of the BOB connector.
8	Adjust the setpoint value to the desired pulse current. Connect voltage source to pin 10.	Apply an appropriate voltage to pin 10. Scale: 25 A/V. Impedance: 10 k $\Omega$ .
9	Disconnect the supply, remove the dummy load at the output and assemble the laser diode.	Pay attention to the polarity of the laser diode!

## Dos and Don'ts



**Never** ground any lead of the output. This will immediately destroy the driver!

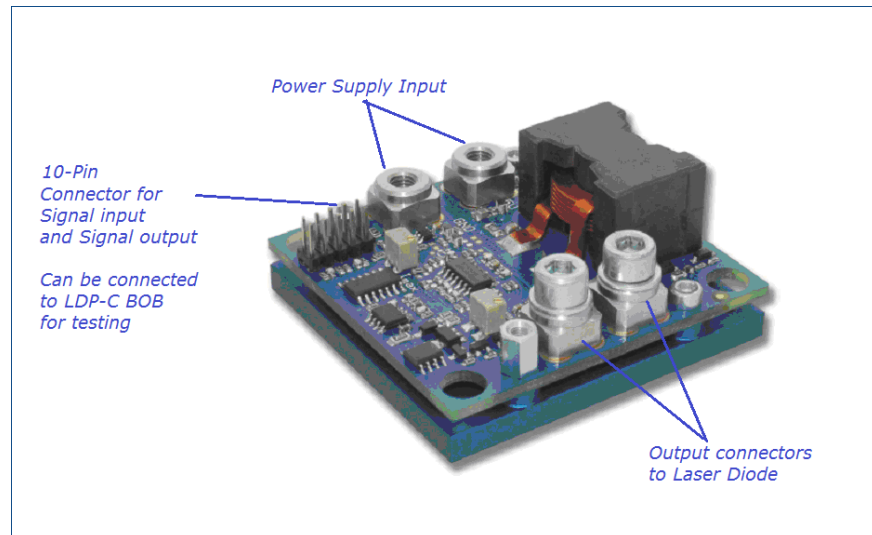
**Never** use any grounded probes (e.g. from the oscilloscope) at the output. This will immediately destroy the driver and the probe!



Do not shorten the output. This will not do any harm to the laser diode driver but it will result in an incorrect current measurement. Exception: when setting the current limit (page 9).

Keep the connection between power supply and the driver as well as the connection between driver and laser diode as short as possible.

Depending on your application and power levels, please mount the driver on an appropriate heat sink.



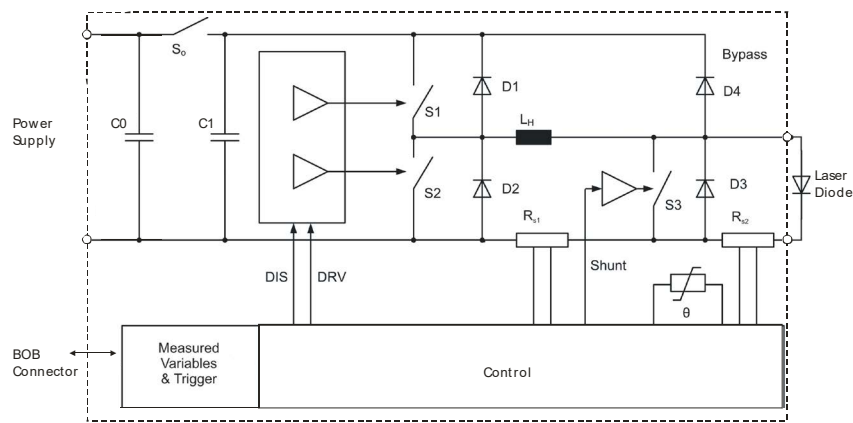


## Functional Description

The pulsed drivers LDP-C 18-05/40-05/50-05 and the CW drivers LDP-CW 18-05/40-05/50-05 operate by the following principle: A buck converter (S1, S2, D1, D2, LH) generates a current in its inductor LH. This current is shorted to ground through the shunt MOSFET S3. During a pulse, S3 is open and the current flows through the laser diode LD. The inductor current through LH is measured with RS1, this allows the control circuit to regulate the current to a constant value under all circumstances. The laser diode current is measured with RS2. Blocking capacitors decouple the driver from the power supply. C1 filters the high frequency ripple of the buck converter.

Inductor current, laser diode current and compliance voltage are pre-processed and then lead to the external BOB connector. A trigger input for generating pulses and an enable input as well as status signals are available.

Several security features protect the laser diode and driver from damage. D3 protects the laser diode from reverse currents; bypass diode D4 protects the driver in case of a load failure. To protect the laser diode during the start up of the driver S0 remains opened until the supply voltage has reached a stable level. In case of an overtemperature condition, the control logic disables the driver. A soft-start mechanism slowly rises the current after an overtemperature shutdown or at start up.



Operation principle of LDP-C / LDP-CW diode driver

Element	Function
S0	Security switch
C1, S1, S2, D1, D2	Buck converter
C0	Input buffer capacitor
S3	Shunt mosfets short output
D3, D4	LD protection
RS1	Current sensor for regulation (control)
RS2	LD current monitor
θ	Temperature sensor

## Interface Specification

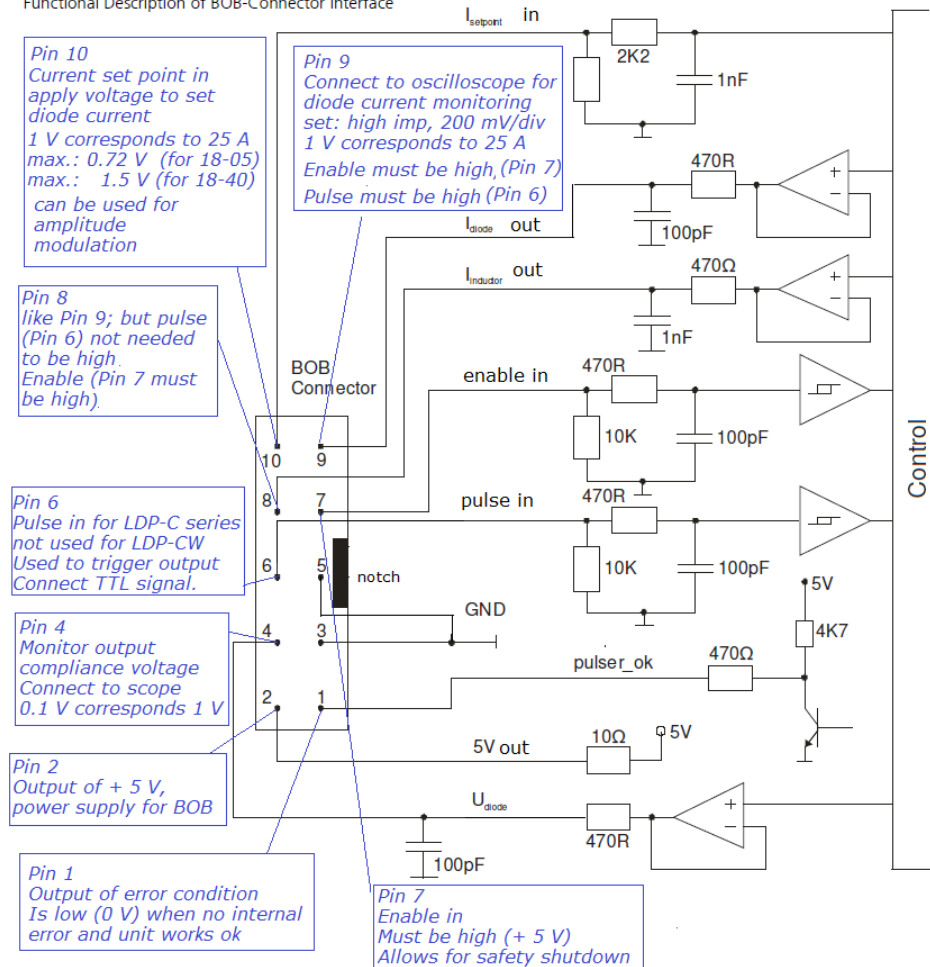
The following figure shows the input and output stages of the external analog BOB connector. The monitoring outputs (pin 8 and pin 9) are filtered and buffered to improve signal quality.

Digital inputs (enable and pulse trigger, pin 7 and pin 6) are filtered to reduce spikes and then evaluated by Schmitt triggers to ensure proper evaluation. Similarly, the external current setpoint input is filtered. All inputs are protected by clampPng diodes against overvoltage.

The pulser\_ok output (pin 1) is high during normal operation and pulled low in case of an overtemperature alert. The word "pulser" here stands for "diode driver".

An auxiliary stabilized high impedance +5 V supply voltage is provided (pin 2) to power external devices (e.g. the LDP-C BOB) or to provide the logic level "high".

Functional Description of BOB-Connector Interface



**Pin 10**  
Current set point in  
apply voltage to set  
diode current  
1 V corresponds to 25 A  
max.: 0.72 V (for 18-05)  
max.: 1.5 V (for 18-40)  
can be used for  
amplitude  
modulation

**Pin 8**  
like Pin 9; but pulse  
(Pin 6) not needed  
to be high.  
Enable (Pin 7 must  
be high).

**Pin 6**  
Pulse in for LDP-C series  
not used for LDP-CW  
Used to trigger output  
Connect TTL signal.

**Pin 4**  
Monitor output  
compliance voltage  
Connect to scope  
0.1 V corresponds 1 V

**Pin 2**  
Output of + 5 V,  
power supply for BOB

**Pin 1**  
Output of error condition  
Is low (0 V) when no internal  
error and unit works ok

**Pin 9**  
Connect to oscilloscope for  
diode current monitoring  
set: high imp, 200 mV/div  
1 V corresponds to 25 A  
Enable must be high, (Pin 7)  
Pulse must be high (Pin 6)

**Pin 7**  
Enable in  
Must be high (+ 5 V)  
Allows for safety shutdown

## Active Current Limit

The LDP-C 18-05/40-05/50-05 and LDP-CW 18-05/40-05/50-05 provide an active laser diode current limit feature. With the help of the current limit potentiometer (see pictures on page 5) the user can adjust the maximum current that can flow through the laser diode. It is an additional safety feature for protecting your diode from overcurrent.

To adjust the current limit to the desired value, please follow the steps below:

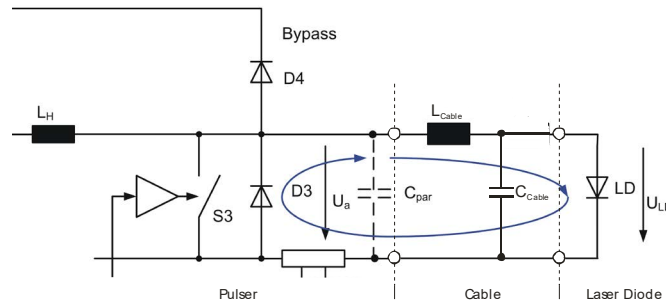
1. Disconnect any load from the output.  
For LDP-C series only: Disconnect any trigger connected to the trigger input (pin 6)
2. Make a short cut across the output screw terminals where you normally connect the diode (bridge them with a cable or a piece of metal).
3. Apply
  - 0.72 V = 18 A (for LDP-C(W) 18-05)
  - 1.6 V = 40 A (for LDP-C(W) 40-05)
  - 2 V = 50 A (for LDP-C(W) 50-05)
 to the current setpoint input (pin 10).  
Apply the +5 V supply voltage (input connectors on the left).
4. Monitor the inductor current output signal (pin 8, see drawing on previous page) and adjust the current limit to the desired value by turning the potentiometer counter clockwise (left potentiometer in pictures on page 5).
5. Disconnect power supply and mount a test load (diode) to the driver.
6. Apply the power supply (and eventually the trigger source (pin 6) for the LDP-C series). Vary the current setpoint input and verify the current limit by monitoring the laser diode current (pin 9 or pin 8).
7. The current limit function is all set and ready for use.

Note: Although the active current limit function is very robust against disturbances, it only works reliable if the driver is fully functional. Any damage caused e.g. through overvoltage at the setpoint input may harm the current limit function.

## Current Rise Time Adjustment (applies to LDP-C Series only)

The LDP-C 18-05/40-05/50-05 provides current rise time adjustment of the positive edge of a pulse. When the shunt switch S3 closes, the inductor current through LH commutates from S3 to the output. There it has to magnetize the parasitic inductance  $L_{\text{cable}}$  due to cables between diode driver and laser diode. During this process, the current through the laser diode rises. The rise time depends on the voltage difference between the output of the diode driver and the laser diode compliance voltage, the current through LH and the parasitic inductance itself. Obviously higher parasitic inductances result in slower current rise time and thus higher rise times. Equally a higher current results in a higher rise time. With a higher compliance voltage, the voltage difference between diode driver output and laser diode decreases and thus the rise time increases.

With the potentiometer  $t_{\text{rise}}$  on the controller board, the user can influence the voltage rise of the output voltage of the diode driver and thus the rise time of the laser diode current. However, as the rise time depends mainly on the cabling as well as on the chosen current and compliance voltage of the load, no absolute relation for the current rise time can be given.



Connection between Diode Driver and Laser Diode

### Effect of Laser Diode Connection on the Pulse Shape (applies to LDP-C Series only)

Parasitic elements in the diode driver and the connection line to the laser diode have an important influence on pulse shape and rise time. The parasitic output capacitance of the pulse  $C_{par}$ , the cabling inductance  $L_{cable}$  and the parasitic capacitance of the diode  $C_{diode}$  form a resonant circuit. Applying a step function (which is done at the beginning of a pulse) on a resonant circuit results in oscillations and current overshoot. As these oscillations are unacceptable for most laser applications, the parasitic capacitances and inductances have to be minimized.

Laser diodes usually have a very low parasitic capacitance in the order of some 10 pF. Together with a short and low inductive connection between laser diode and driver no oscillations or overshoot should occur. In addition, the adjustable current rise time helps to avoid overshoot and oscillations.

A very short rise time and thus a very high current rise results in a strong excitation of the resonant circuit. With a longer rise time and softer current rise the resonant circuit is considerably less excited and though oscillations and overshoot will not appear.

As already mentioned above,  $L_{cable}$  influences the current rise time at the beginning of the pulse. Because  $L_{cable}$  has to be magnetized up to the inductor current which flows through  $L_H$ , a higher  $L_{cable}$  yields in a longer rise time. At the end of a pulse S3 closes and shorts the output. Then  $L_{cable}$  has to be demagnetized. At this time, only a very low voltage is available at the output. The time required to demagnetize  $L_{cable}$  depends only on its value. Higher  $L_{cable}$  results in a longer current fall time.

### Test Load

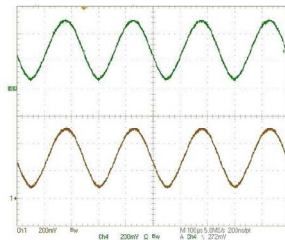
A common method to test the driver is to connect a regular **silicon rectifier diode** to the driver output. Do not connect to a resistive load, output voltages are too high!

For the **LDP-C series** attention has to be paid to the junction capacitance of the diode. Only **fast recovery diodes** (or equivalents) have as low a parasitic capacitance as laser diodes have. To achieve reasonable test results, the parasitic elements of the test diode and the connection must be very similar to the laser diode approach. Regular silicon rectifier diodes have a junction capacitance of several microfarads and are not a suitable test load! The use of these diodes will yield in incorrect current measurement at the pulse edges!

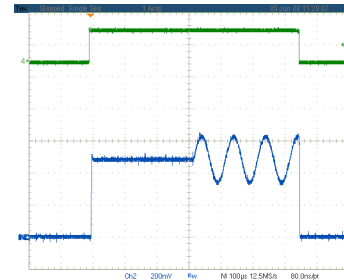
## Analog Modulation

The LDP-CW 18-05/40-05/50-05 and the LDP-C 18-05/40-05/50-05 are all capable of modulating the output current controlled via the current setpoint input (pin 10).

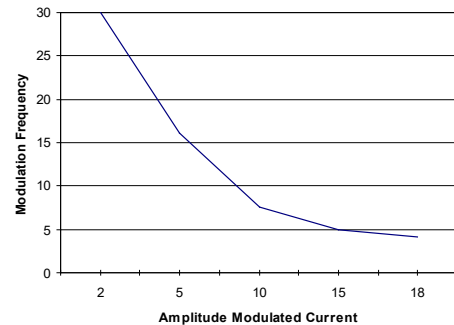
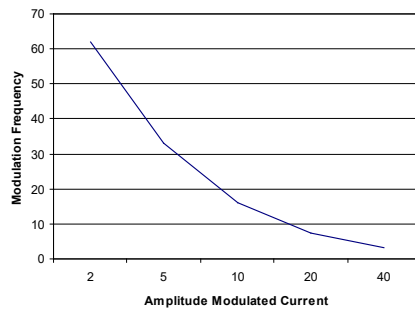
The maximum modulation frequency depends on the modulation amplitude of the current. With higher modulation amplitudes lower frequencies will be achieved and vice versa. Best modulation results are achieved when the laser diode compliance voltage equals half the supply voltage.



Analog modulation for LDP-CW series



Analog modulation for LDP-C series



Analog modulation capability of LDP-C(W) 40-05 & LDP-C 50-05 (left) and LDP-C(W) 18-05 (right)

The above graphs show the modulation frequency in dependence of the setpoint modulation amplitude. The frequency values were determined at the point where the output current amplitude dropped to 90% of the setpoint modulation amplitude.

## Power Supply

To obtain a good pulsing performance with the LDP-C 18-05/40-05/50-05 and the LDP-CW 18-05/40-05/50-05, the drivers require an appropriate power supply unit (PSU). The PSU has to supply the power that is delivered to the laser diode and also to make up for the losses in the driver itself. It has to be taken into account that the laser diode power varies strongly when the diode is pulsed or the output current is modulated. Although the drivers are usually equipped with a large input capacitance of 23.5 mF to buffer these power peaks, the power supply has to deliver the required power fast enough to avoid input voltage drops. For excessive pulsing or modulation of the output current, the PSU output impedance as well as the line impedance between PSU and diode driver has to be as low as possible.

When the input voltage drops below 2.5 V the driver shuts down automatically. This in turn results in a rise of the input voltage and the driver starts working again. This will cause the input voltage to drop again if the PSU is too weak to deliver the required power. The result is an unwanted oscillation of the input voltage and thus a malfunction of the driver. A further protection against these oscillations is the soft start mechanism at power up.

## Soft Start

The LDP-C 18-05/40-05/50-05 and LDP-CW 18-05/40-05/50-05 drivers apply a soft start mechanism that is activated upon power up and after an overtemperature alert. This mechanism ramps up the active current limit from 0 A (at the beginning) to the configured current limit value with a speed of approx. 2 A/ms. This protects the power supply from excessive current peaks, if the diode driver is already enabled and a pulse is applied at the trigger input during power up.

## Cooling

The LDP-C 18-05 and the LDP-CW 18-05 produce up to 12 W of losses. Thus the baseplate has to be mounted on a heat sink to ensure proper operation and prevent an overtemperature shutdown.

With the LDP-C 40-05/50-05 and LDP-CW 40-05/50-05 some more attention has to be paid to the cooling. The maximum power dissipation here is up to 30 W.

With currents above 30 A not only the baseplate has to be cooled properly, but also the power inductor on the board. This can be achieved easily by placing the driver with its heat sink into the air current of a fan.



**Safety Warning:** Please be aware that in rare cases the driver could heat up. Please be cautious not to touch high temperature surfaces!

## Overtemperature Shutdown

To protect the laser diode and the driver, the unit automatically disables itself if the temperature rises above 80 °C. This condition is not latched and the diode driver will start working as soon as the temperature falls below 75 °C. During the overtemperature shutdown, the “pulser\_ok” output (pin 1 on the BOB connector) is pulled low.

## Absolute maximum Ratings

- Supply voltage range: +2.5 V .. +7.6 V
- Maximum input current: 18 A (18-05); 40 A (40-05); 50 A (50-05)
- Maximum laser diode output current: 18 A (18-05); 40 A (40-05); ; 50 A (50-05)
- Maximum laser diode compliance voltage: 5 V
- Maximum pulse repetition rate: 500 kHz (applies to the LDP-C series only)
- BOB connector input and output voltages: 0 V to 5 V
- BOB connector output currents: 1 mA
- Auxiliary 5 V supply voltage output current: 30 mA
- Operating temperature: 0 - 55 °C

## Mechanical Dimensions

Mount holes diameter: 3.2 mm

Over all height (without C-Bank): 27.0 mm

Over all height incl. C-Bank: 54.0 mm

All dimensions in mm

