

## Green Line Laser LC-LML-515-09-03-60-TM-C

Ø 9 mm, 515 nm Laser Line Generator

### Features

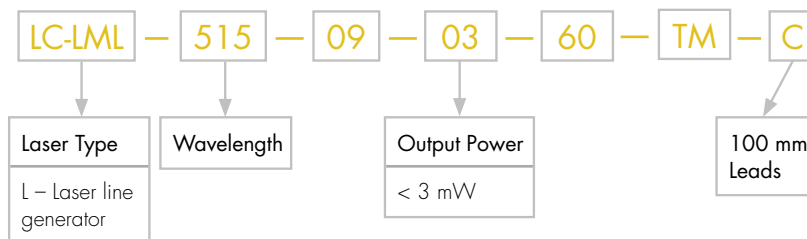
1. APC (auto power control) IC inside
2. Glass Lens
3. High brightness

### Application

1. Industrial laser line marks
2. Measuring instruments
3. Laser leveling



### Part No. Indications



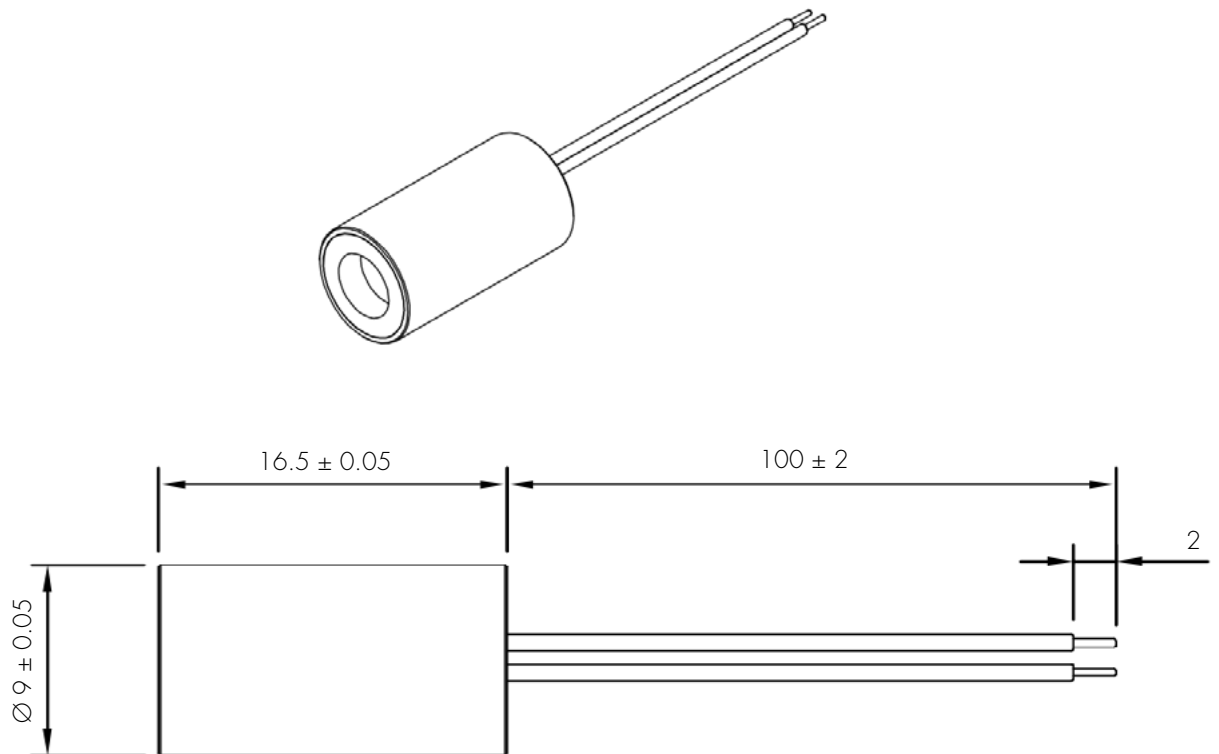
### Absolute Maximum Ratings

Item	Symbol	Rating	Unit
Power supply voltage	$V_{CC}$	7	V
Laser optical output power	$P_o$	< 3.5	mW
Operation temperature	$T_{opr}$	-5 ~ 50	°C
Storage temperature	$T_{stg}$	-20 ~ 85	°C

### Electrical and Optical Characteristics ( $T_c = 25\text{ }^\circ\text{C}$ )

Item	Symbol	Min.	Typ.	Max	Unit	Condition
Wavelength	$\lambda$	510	520	530	nm	$P_o = 3\text{ mW}$
Output power	$P_{out}$	2	-	3.5	mW	$V_{cc} = 6\text{ V}$
Operation current	$I_{op}$	-	-	100	mA	$P_o = 3\text{ mW}$ $V_{cc} = 6\text{ V}$
Operation voltage	$V_{op}$	-	6	6.5	Volt	
Emitting angle				$> 60^\circ$		

### Outline Dimensions (Units: mm)



Red wire:  $V_{cc}$   
Black wire: GND