

## Visible APC Laser Module LC-LML-635-09-05-60-A-C

Ø 9.0 mm, 635 nm Line Laser Generator

### Features

1. APC (auto power control) IC inside
2. Plastic lens and brass housing

### Part Number

LC-LML — 635 — 09 — 05 — 60 — A — C



### Absolute Maximum Ratings

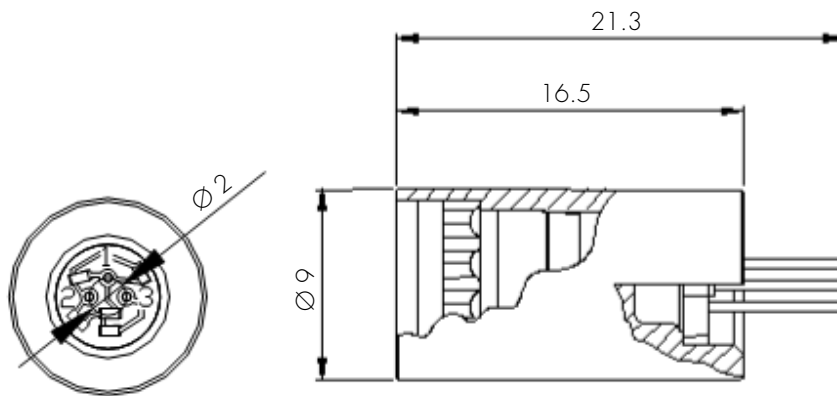
Parameter	Symbol	Rating	Unit
Power supply voltage	$V_{CC}$	3.3	V
Laser module optical output power	$P_o$	< 5	mW
Operation temperature	$T_{opr}$	0 ~ 50	°C
Storage temperature	$T_{stg}$	0 ~ 60	°C

### Electrical and Optical Characteristics ( $T_c = 25\text{ }^\circ\text{C}$ )

Parameter	Symbol	Min.	Typ.	Max	Unit	Condition
Wavelength	$\lambda$	632	635	645	nm	$P_o = 5\text{ mW}$
Operation current	$I_{op}$	-	-	50	mA	$P_o = 5\text{ mW}$ $V_{cc} = 3\text{ V}$
Operation output power	$P_{out}$	3.7		5	mW	$V_{cc} = 3\text{ V}$
Operation voltage	$V_{op}$	2.5		3.3	Volt	
Emitting angle					$< 60^\circ$	

\*Sufficient heat dissipation is required for CW operation.

### Outline Dimensions (Units: mm)



With 100 mm leads  
red:  $V_{cc}$   
black: GND