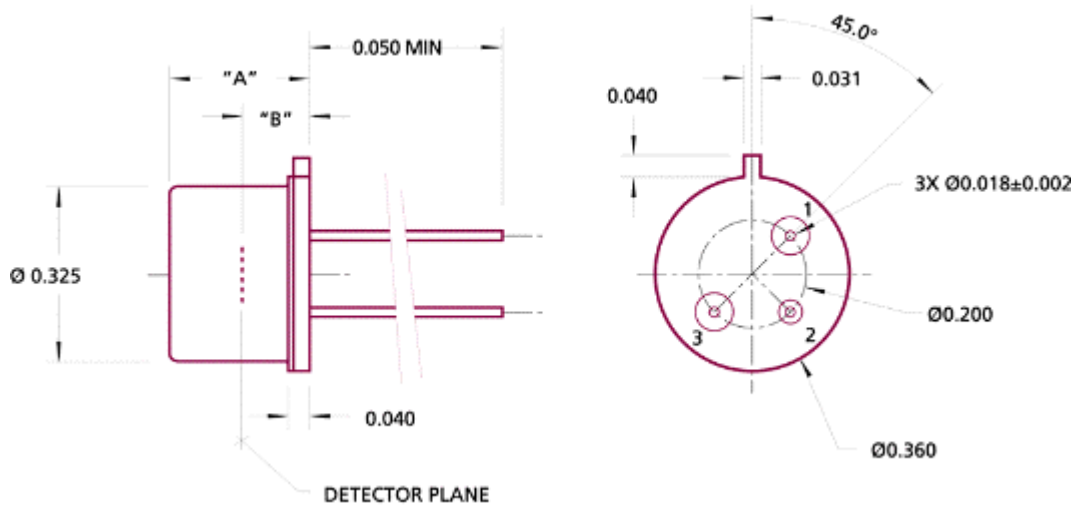


TO-5 Package for Uncooled Detectors

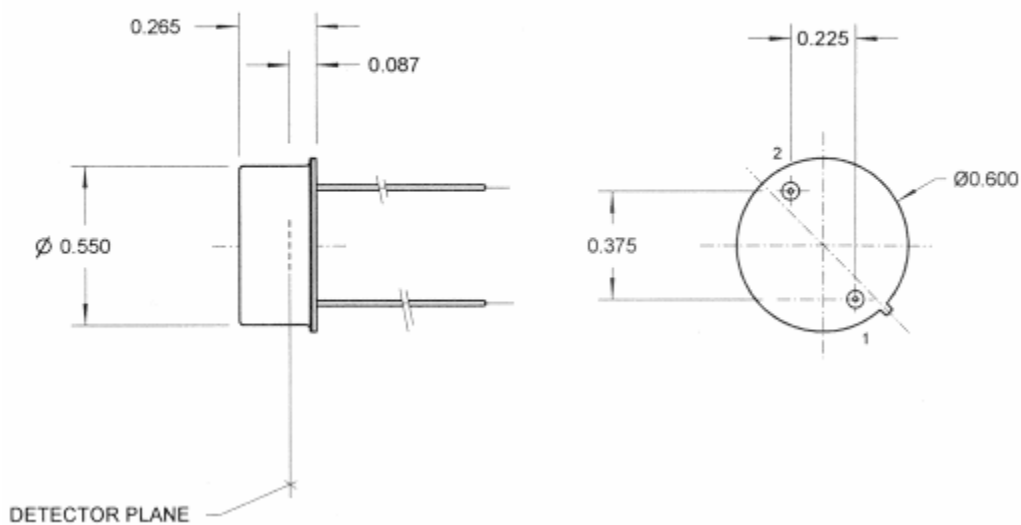


Dimensions are in inches

PIN NO.	PIN FUNCTIONS	
	FUNCTION	COLOR
1	DETECTOR	BARE
2	CASE GND	BARE
3	DETECTOR	BARE

MODEL	DIMENSION	
	"A"	"B"
AP	0.260	0.093
AP(G)	0.177	0.093
BXP	0.260	0.088

TO-8 Package for Uncooled Detectors

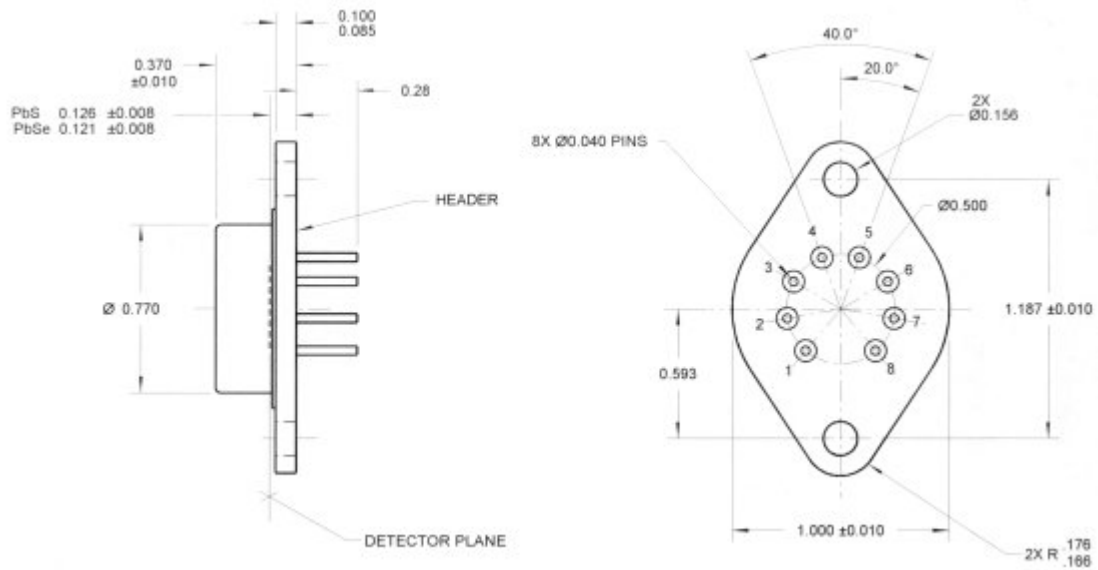


Dimensions are in inches

PIN NO.	PIN FUNCTIONS	
	FUNCTION	COLOR
1	DETECTOR	BARE
9	DETECTOR	BARE

MODEL	DIMENSION
	"A"
AP	0.092
BXP	0.087

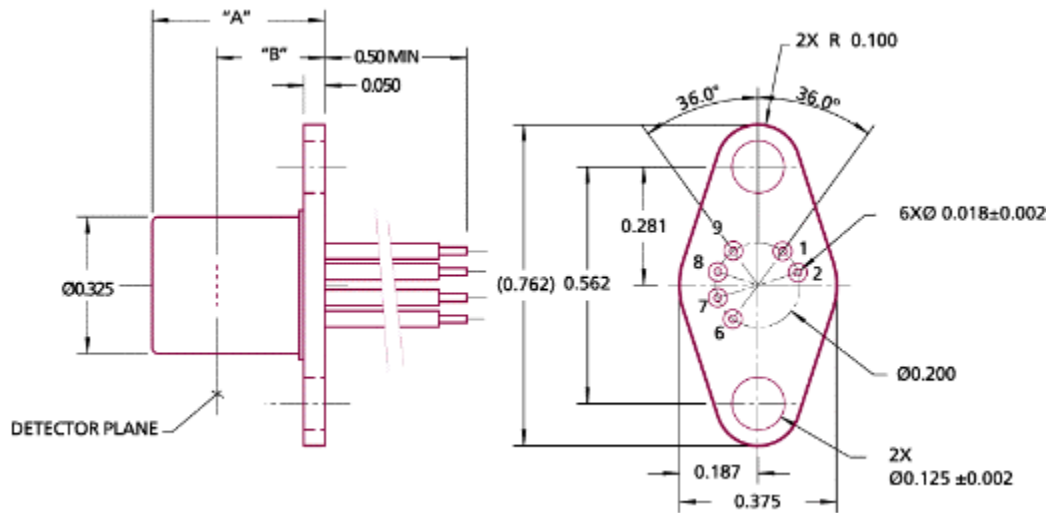
TO-3 Package for Uncooled Detectors



Dimensions are in inches

Pin Functions	
Pin No.	Function
2 & 5	Detector

TO-37 Package for Cooled Detector



Dimensions are in inches

PIN NO.	PIN FUNCTIONS	
	FUNCTION	COLOR
1	THERMISTOR	YELLOW
2	THERMISTOR	YELLOW
6	DETECTOR	WHITE
7	DETECTOR	WHITE
8	COOLER (-)	YELLOW
9	COOLER (+)	RED

MODEL	DIMENSION	
	"A"	"B"
AT1	0.280	0.220
BXT1	0.280	0.215
AT2	0.410	0.257
BXT2	0.410	0.252

Dimensions are in inches

PIN FUNCTIONS		
PIN NO.	FUNCTION	COLOR
1	COOLER (-)	BLACK
4	COOLER (+)	RED
9	DETECTOR	WHITE
10	THERMISTOR	YELLOW
11	THERMISTOR	YELLOW
12	DETECTOR	WHITE

MODEL	DIMENSION	
	"A"	"B"
AT1	0.365	0.308
BXT1	0.365	0.303
AT1S	0.365	0.281
BXT1S	0.365	0.276
AT2	0.490	0.345
BXT2	0.490	0.340
AT2S	0.490	0.390
BXT2S	0.490	0.385