

Laser Diodes Product Line-up

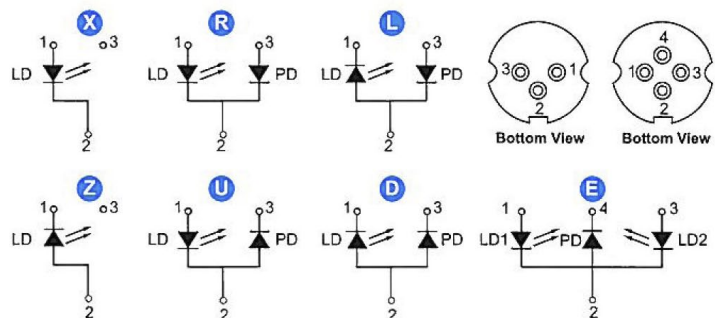
Peak Wavelength (nm)	Model No.	CW Light Output Power Po (mW)	Max Operation Case Temp. Tc (°C)	TO-Can Package Diameter (mm)	Pin Configuration
635	ADL-63054SL	5	50	3.3	LDA=PDC
	ADL-63054TL	5	50	5.6	LDA=PDC
	ADL-63058TL	5	40	5.6	LDA=PDC
	ADL-63102TL-3	10	50	5.6	LDA=PDC
	ADL-63153TL	15	50	5.6	LDA=PDC
	ADL-63302TL	30	50	5.6	LDA=PDC
650	ADL-65052TL	5	50	5.6	LDA=PDC
	ADL-65053TL-2	5	70	5.6	LDA=PDC
	ADL-65055TL	5	50	5.6	LDA=PDC
	ADL-65074TL	7	85	5.6	LDA=PDC
	ADL-65074TL-1	7	85	5.6	LDA=PDC
	ADL-65074TU-1	7	85	5.6	LDC=PDA
	ADL-65074TR	7	85	5.6	LDC=PDC
	ADL-65075SL	7	70	3.3	LDA=PDC
	ADL-65075SR	7	70	3.3	LDC=PDC
	ADL-65075TL	7	70	5.6	LDA=PDC
	ADL-65075TL-4	7	70	5.6	LDA=PDC
	ADL-65075TU-1	7	70	5.6	LDC=PDA
	ADL-65077SR	7	70	3.3	LDC=PDC
	ADL-65077SU	7	70	3.3	LDC=PDA
	ADL-65078TU-1	5	70	5.6	LDC=PDA
	ADL-65103TL	10	50	5.6	LDA=PDC
	ADL-65104TL	10	70	5.6	LDA=PDC
	ADL-65104TR	10	70	5.6	LDC=PDC

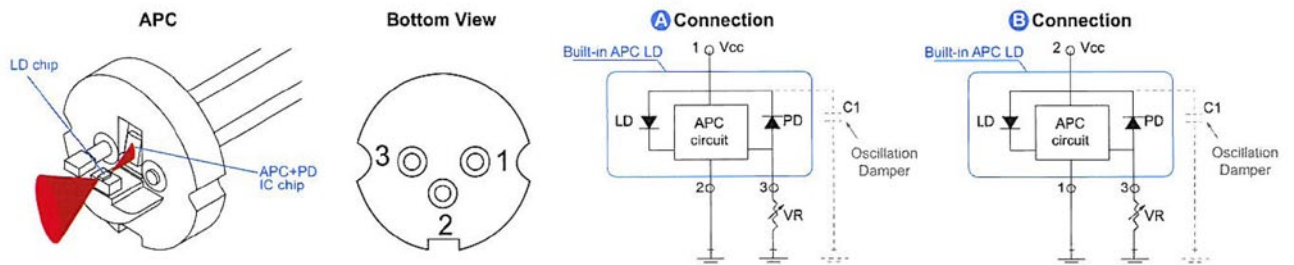
Peak Wavelength (nm)	Model No.	CW Light Output Power Po (mW)	Max Operation Case Temp. Tc (°C)	TO-Can Package Diameter (mm)	Pin Configuration
660	ADL-66201TL	20	60	5.6	LDA=PDC
	ADL-66505TL	50	60	5.6	LDA=PDC
	ADL-66505TU	50	60	5.6	LDC=PDA
780	ADL-78051TL	5	60	5.6	LDA=PDC
	ADL-78901TL	90	70	5.6	LDA=PDC
	ADL-78901TR	90	70	5.6	LDC=PDC
	ADL-78901TU	90	70	5.6	LDC=PDA
	ADL-78901TX	90	70	5.6	LD-only
808	ADL-80X01TZ	300	50	5.6	LD-only
	ADL-80Y04TL	200	50	5.6	LDA=PDC
830	ADL-83Z01TL	100	60	5.6	LDA=PDC
	ADL-83Z51HU	150	60	5.6	LDC=PDA
850	ADL-85051SL	5	50	3.3	LDA=PDC
	ADL-85051TL	5	50	5.6	LDA=PDC
	ADL-85301TL	30	50	5.6	LDA=PDC
	ADL-85501TL	50	50	5.6	LDA=PDC
	ADL-85502TL	50	50	5.6	LDA=PDC

Package type

- T: 5.6mm TO-Can
- G: 5.6mm TO w/o window glass
- H: 5.6mm, 2.7mm tall TO-Can
- S: 3.3mm, TO-Can
- F: Lead Frame
- C: C mount/CT mount
- V: TO-46
- L: Lamp
- M: 5.6mm 4 pin TO-Can

Pin Connection





Peak wavelength (nm)	Model No.	CW Light Output Power P_o (mW)	Max Operation Case Temp. T_c (°C)	TO-Can Package Diameter (mm)	Pin Configuration
635	ADL-63054TA2	5	50	5.6	APC
650	ADL-65055GA2	5	50	5.6	APC
	ADL-65055TA2	5	50	5.6	APC
	ADL-65075SA2	7	70	3.3	APC
	ADL-65075TA2	7	70	5.6	APC