

# LCS6850505P

## 685 nm Laser Diode

### 685 nm COMPACT LASER DIODE MODULES KEY FEATURES

- Visible light  $\lambda = 685 \text{ nm}$
- Output powers = 50 mW CW
- Package type = 5.6 mm  $\Phi$
- High reliability



### APPLICATIONS

- Laser pointer & general purpose red laser light source
- Laser module & high precision engineering instruments
- Optical sensor application of engineering instruments

### LASER DIODE SOLUTIONS

LCS6850505P is a MOCVD grown 685 nm band InGaAs laser diode. It's an attractive light source, with a typical light output power of CW 50 mW. It's suitable for use as high reliability laser diode in a wide range of industrial application.

### ELECTRICAL AND OPTICAL CHARACTERISTICS AT TC=25°C

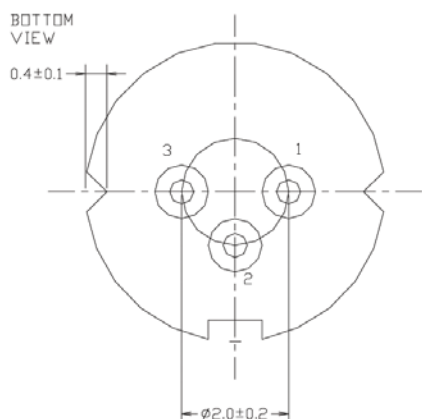
Item	Symbols	Min.	Typ.	Max.	Unit	Condition
Optical Output Power	Po	-	55	-	mW	-
Threshold Current	Ith	-	30	60	mA	-
Operating Current	Iop	-	75	120	mA	Po=50 mW
Operating Voltage	Vop		2.3	3	V	Po=50 mW
Peak Wavelength	$\lambda_p$	675	685	695	nm	Po=50 mW
Beam Divergence	$\Theta_{//}$	7	9	12	deg	Po=50 mW
	$\Theta_{\perp}$	18	21	25	deg	Po=50 mW
Monitor Current	I <sub>m</sub>	0.08	0.15	0.35	mA	Po=50 mW

### ABSOLUTE MAXIMUM RATING AT TC=25° C

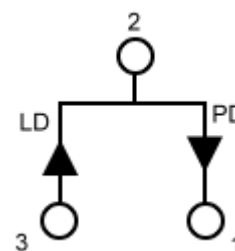
Items	Symbols	Values	Unit
Optical Output Power	Po	55	mW
Laser Diode Reverse Voltage	V	2	V
Photo Diode Reverse Voltage	V	30	V
Operating Temperature	To	-10~+70	°C
Storage Temperature	Ts	-40~+85	°C



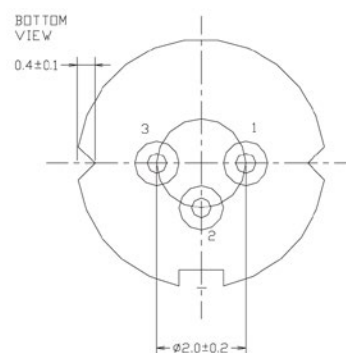
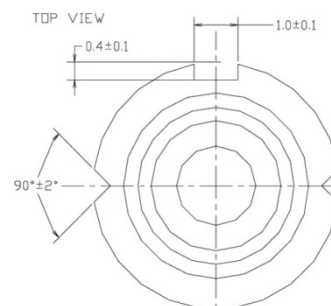
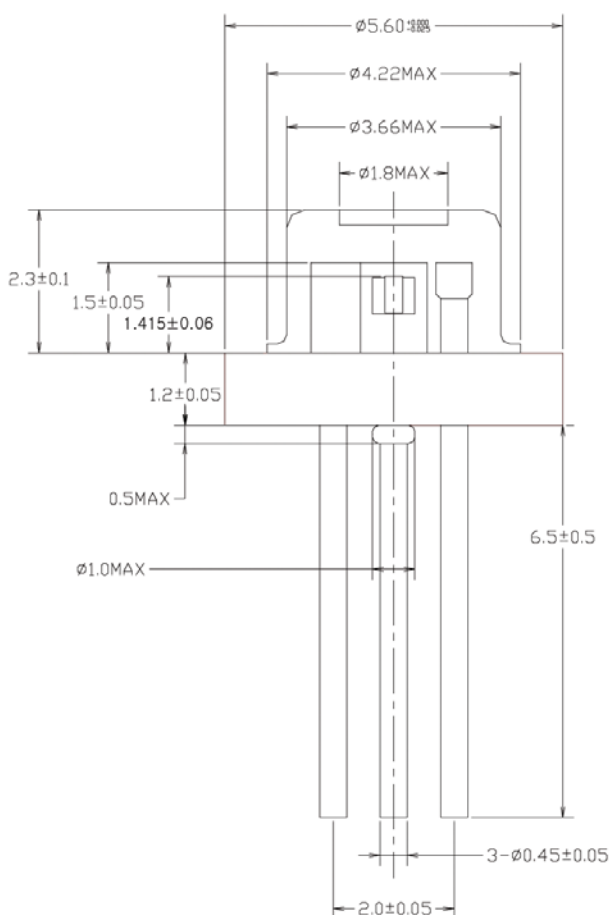
## ELECTRICAL CONNECTION



## PACKAGE TYPE



## LASER DIODE PACKAGE DRAWING



08/11 / V2 / HW / divers-vis/lcs/lcs6580505p.doc

