

PS67-F1P0U

670nm Singlemode VCSEL TO-46 Can Package

Features

- : 670nm wavelength range
- : Operating to over 50 °C
- : Gaussian beam shape
- : No astigmatism
- : Stable Polarization
- : Other configurations available on request

Applications

- : Consumer Electronics
- : Position Sensors
- : Medical Instruments
- : Home Networking
- : Data Link Communication, IEEE1394b
- : Low power consumption application
such as battery-operated equipment

Description



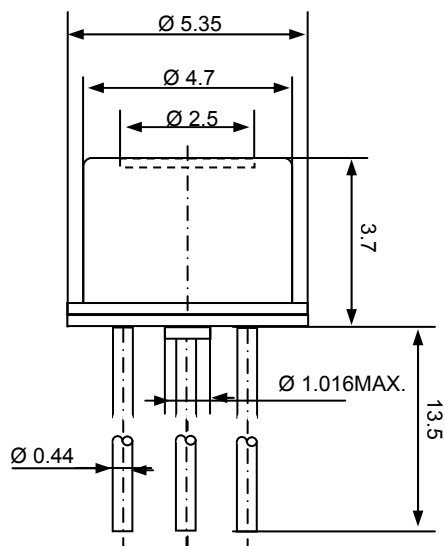
Absolute Maximum Ratings

Parameter	Rating
Storage Temperature	-40 to 85 °C
Operating Temperature	-20 to 50 °C
Lead Solder Temperature	260 °C, 10 sec
Continuous Forward Current	5mA
Continuous Reverse Voltage	5V (@10µA)

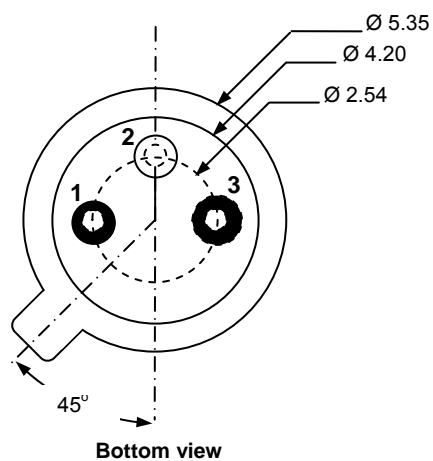
PS67-F1P0U

670nm Singlemode VCSEL TO-46 Can Package

Dimensions



Unit:mm



PINOUT

Number	Function
1	A _{LD}
2	NC
3	K _{LD}

Rev. 1.0

Electro-Optics Characteristics ($T_a=25^{\circ}\text{C}$ unless otherwise stated)

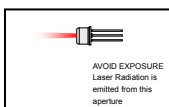
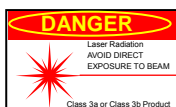
Parameters	Symbol	Specified			Unit	Test Conditions
		Min.	Typ.	Max.		
Threshold Current	I_{th}		2.5	4	mA	CW
Slope Efficiency	η	0.2	0.3		W/A	$I_f = 4\text{mA}$
Optical Output Power	P_o	0.3	0.5		mW	$I_f = 4\text{mA}$
Peak Wavelength	λ	660	670	690	nm	$I_f = 4\text{mA}$
Beam Divergence	Θ	12			$^{\circ}$	$P_o=0.5\text{mW}$, (Full Width, $1/e^2$)
		7			$^{\circ}$	$P_o=0.5\text{mW}$, (FWHM)
Operating Voltage	V_f		2.3	2.7	V	$I_f = 4\text{mA}$
Dynamic Resistance	R_d		120	180	Ohm	$I_f = 4\text{mA}$
Side Mode Suppression Ratio	SMSR	15			dB	$I_f = 4\text{mA}$

Thermal Characteristics

Parameters	Symbol	Min.	Typ.	Max.	Unit	Test Conditions
Max. Operating Temperature	$P_{T=50^{\circ}\text{C}}$		0.1		mW	$T_a = 50^{\circ}\text{C}$, 4mA
Optical Output Power						
I_{th} Temperature Variation	ΔI_{th}		1.5		mA	$T_a = -20$ to 50°C
η Temperature Variation	$\Delta \eta / \Delta T$		-1.7		%/ $^{\circ}\text{C T}$	$a = -20$ to 50°C at 4mA
λ Temperature Variation	$\Delta \lambda / \Delta T$		0.05		nm/ $^{\circ}\text{C T}$	$a = -20$ to 50°C at 4mA

Notes

* These specifications are subject to change without notice



NOTICE

The inherent design of this component causes it to be sensitive to electrostatic discharge(ESD). To prevent ESD-induced damage and/or degradation to equipment, take normal ESD precautions when handling this product

DANGER

The VCSEL is a class IIIb laser and should be treated as a potential eye hazard. Due to the size of the component, the applicable warning logo type, aperture label, and certification / identification label cannot be placed on the component itself.

Characteristics Curves

