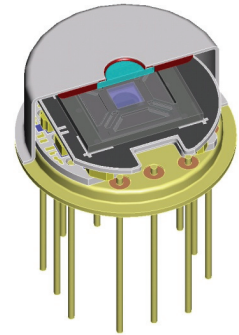


LFP-3950L-337

pyroelectric detector with tunable FPF

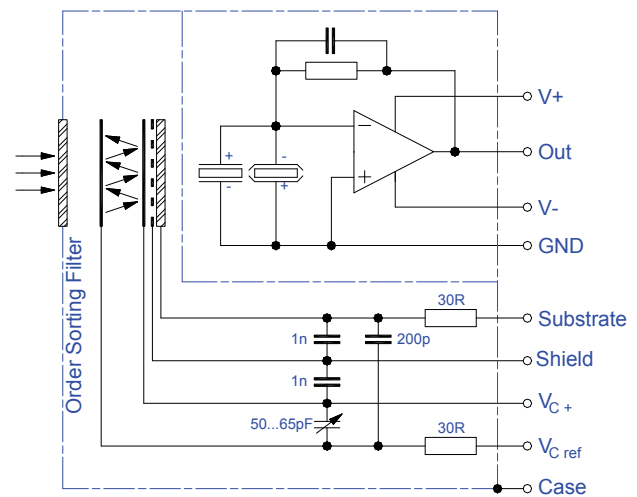
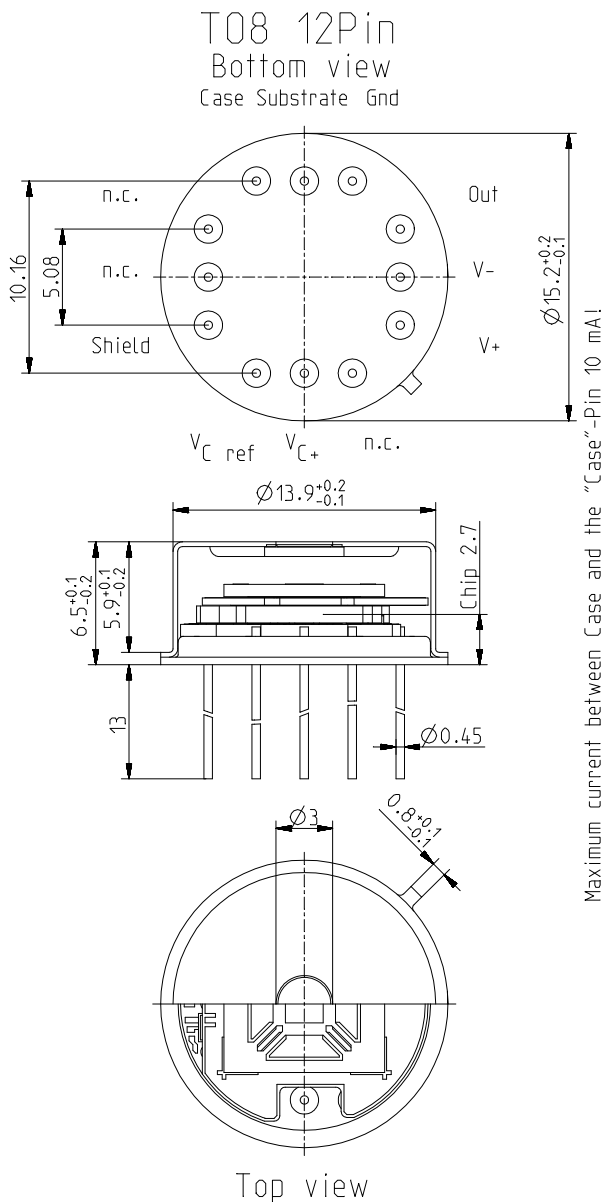
Description:

Pyroelectric IR detector with integrated $\varnothing 1.9\text{mm}$ micromachined tunable Fabry-Perot filter. Tuning range $3.9 \dots 4.8\mu\text{m}$, spectral bandwidth 100nm , low spring stiffness, pyroelectric element area $2.0 \times 2.0\text{mm}^2$
 thermal compensation, ultra low microphonic effect, current mode operation with advanced CMOS transimpedance amplifier (TIA) for 1Hz to 100Hz modulation frequency range
 feedback $R \ 100\text{G}\Omega \pm 20\% \ // \ C \ 50 \pm 10\text{fF}$ (very high gain)



HOUSING:

PIN ASSIGNMENT:



FPI WAVELENGTH RESPONSE:

