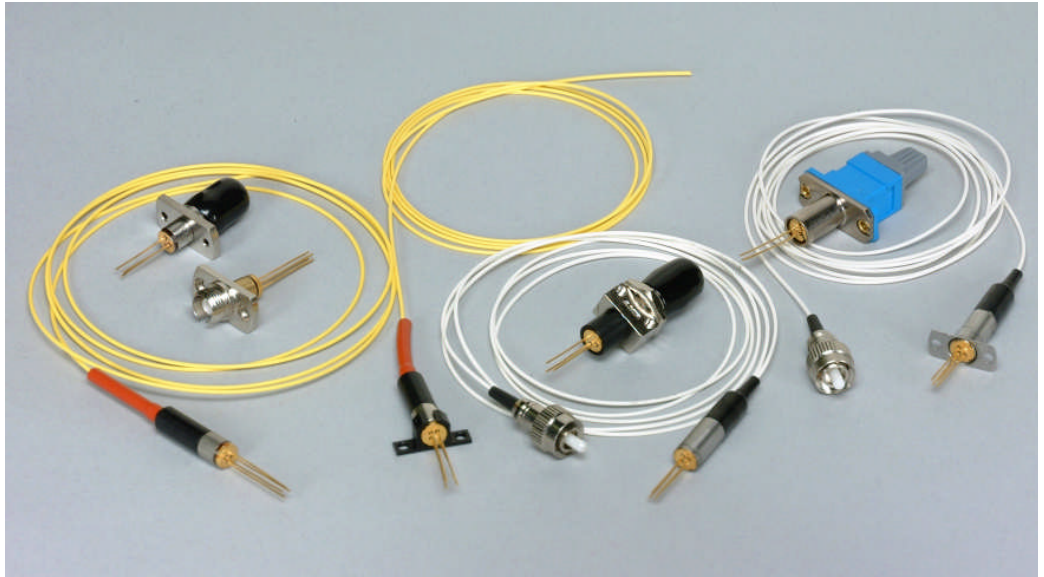


PD-LD Inc. offers a variety of packaging options for its' Fabry Perot Series of laser diodes. These units are available in ready-to-use, fiber-coupled packages, including FC, ST, and SC receptacles, as well as fiber-pigtailed units.

The InGaAsP MQW laser diodes offered by PD-LD are of proven design and manufacture; the standard wavelengths are centered at 1310 and 1550nm. Fiber-coupled CW (continuous-wavelength) output powers range from 0.1 - 2 mW, depending on the fiber type and desired performance level. Tracking error over OTR -40 to +85C is +/-1.0 dB maximum .



### Features

- Internal Monitor Photodetector
- Compact, reliable receptacle & coax fiber-coupled package
- 0.1 - 2.0 mW singlmode (9/125)
- 1.7nm RMS Spectral Width
- 1.5 GHz Bandwidth

### Applications

- Fiberoptic communications systems
- Fiberoptic test instrumentation
- Digital and Analog Signal transmission

### Performance Specifications: Typical Product Configurations (more options available)

PD-LD Part No. <sup>1</sup>	Wavelength (nm)		Min. Fiber Coupled Power (mW)	Pin-out	Threshold Current (mA)		Operating Current (mA)		Monitor PD Current (mA)	
	Min.	Typ. Max.			Typ.	Max.	Typ.	Max.	Min.	Typ.
<b>Continuous Wavelength InGaAsP MQWLasers @ 25C: Pigtailed</b>										
PL13B001100A-0-0-01	1290	<b>1310</b>	1330	1 mW into 9/125 SMF	"H"	5	15	20	35	InGaAs 0.1 0.8
PL13P0021FAA-0-0-01	1295	<b>1310</b>	1325	2 mW into 9/125 SMF	"T"	10	20	20	35	InGaAs 0.1 0.8
PL15B001FC11-S-0	1530	<b>1550</b>	1570	1 mW into 9/125 SMF	"H"	10	20	30	50	InGaAs 0.1 0.8
PL15P0.51FCA-0-0-01	1530	<b>1550</b>	1570	0.5 mW into 9/125 SMF	"T"	10	20	20	35	InGaAs 0.1 0.8
PL15P0011FCA-0-0-01	1530	<b>1550</b>	1570	1 mW into 9/125 SMF	"T"	10	20	20	35	InGaAs 0.1 0.8
<b>Continuous Wavelength InGaAsP MQWLasers @ 25C: Receptacles</b>										
PL13B0.5ST71-S-0	1290	<b>1310</b>	1330	0.5mW ST Receptacle	"H"	5	15	20	35	InGaAs 0.1 0.8
PL13P001FC11-S-0	1295	<b>1310</b>	1325	1 mW FC Recptacle	"T"	10	20	20	35	InGaAs 0.1 0.8

<sup>1</sup> Examples only; most device/packaging combinations available.

Changes to specifications may be made without notice.

07-02PLFP1315.

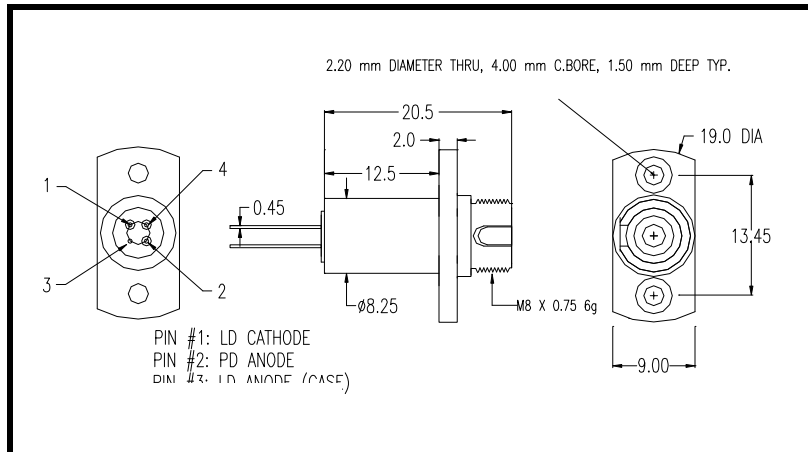
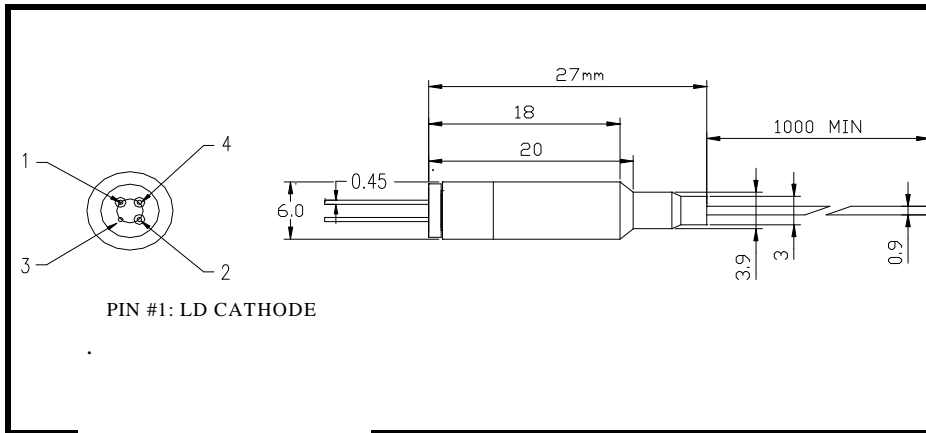
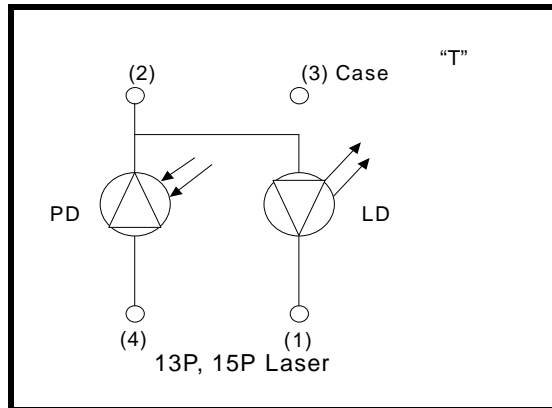
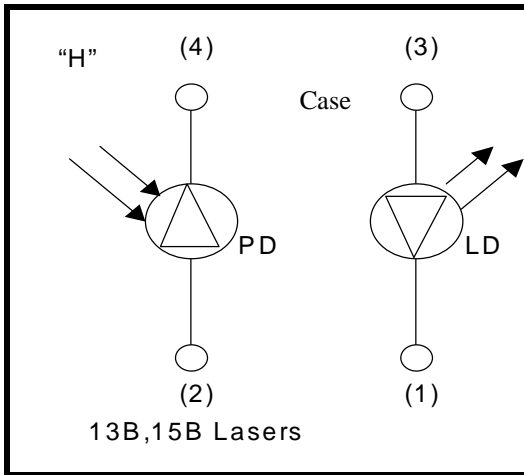


# PL13/15 FP Series Laser Diode Modules

## Packaging Options

Optional board- or panel -mount flanges are available for pigtailed devices; contact PD-LD Sales. Also, PD-LD Inc. will package non-standard lasers or parts specified by a customer using standard or custom receptacle or pigtailling techniques. Both receptacle and pigtail packages are made using an active micro-positioning system and proven packaging techniques. Reliable and efficient devices are produced.

## Physical Dimensions (mm) & Pin Connection



<sup>1</sup>/<sub>0</sub> Examples only; most device/packaging combinations available.

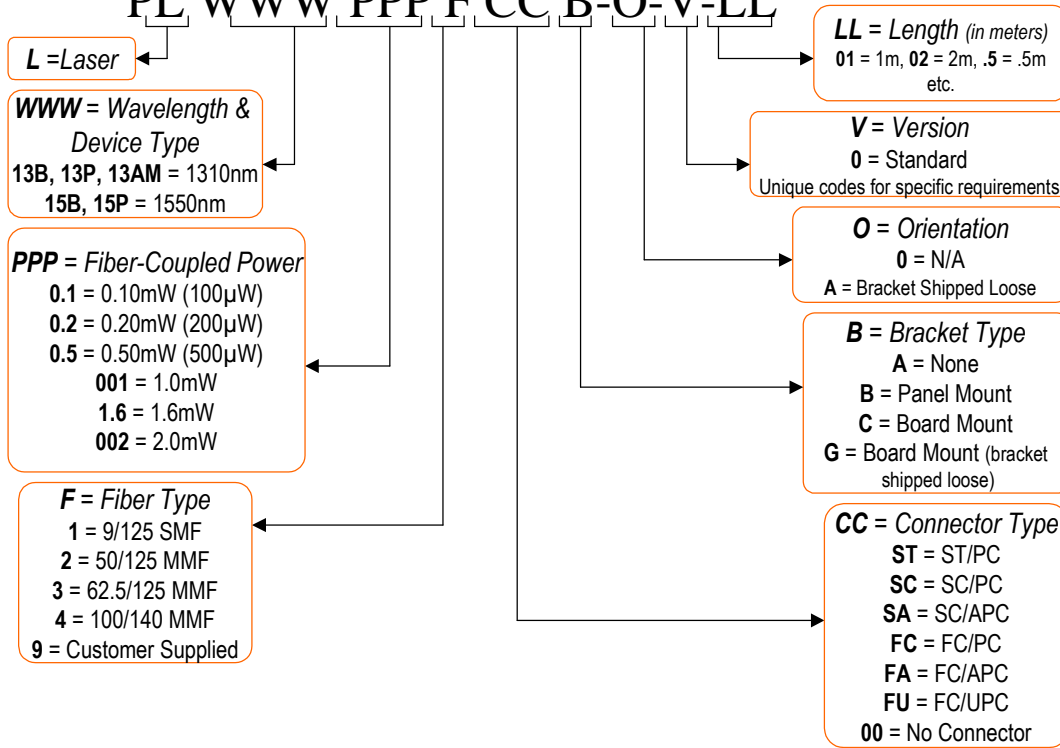
Changes to specifications may be made without notice.

07-02PLFP1315.

## Ordering Information

### Data Legend: **Pigtailed** Laser Diodes

**PL WWW PPP F CC B-O-V-LL**



### Data Legend: **Receptacle** Laser Diodes

Ex: **PL WWW PPP RRR F-O-V**

