

PRA-FCA

**FC/APC Fiber-Adapter
with External 1.035"-40 Thread**



The picture shows fiber-adapter PRA-FCA with photoreceiver OE-300-SI-10-FST.

Features

- Connects FC fibers (FC/APC connectors with \varnothing 2.5 mm ferrules) to FEMTO photoreceivers with threaded 1.035"-40 free space input (FST-version)
- Recommended for photosensitive areas of 0.4 mm diameter or more (coupling efficiency may be compromised for photodiodes with smaller diameter)
- Machined from solid stainless steel

Applications

- Allows to use the same photoreceiver for free-space and fiber applications

Scope of Delivery

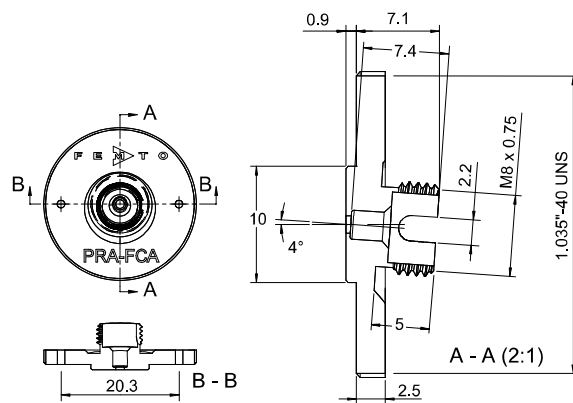
PRA-FCA, datasheet, transport package

Specifications

General Data

Material 1.4305 stainless steel; glass bead blasted

Dimensions



All measures in mm unless otherwise noted.

Specifications are subject to change without notice. Information provided herein is believed to be accurate and reliable. However, no responsibility is assumed by FEMTO Messtechnik GmbH for its use, nor for any infringement of patents or other rights of third parties which may result from its use. No license is granted by implication or otherwise under any patent or patent rights of FEMTO Messtechnik GmbH. Product names mentioned may also be trademarks used here for identification purposes only.

© by FEMTO Messtechnik GmbH - Printed in Germany

SOPHISTICATED TOOLS FOR SIGNAL RECOVERY



DE-PRA-FCA_R0/MvB,TH,JM /17DEC2019