

FLEXPOINT® Laser Modules HD Series

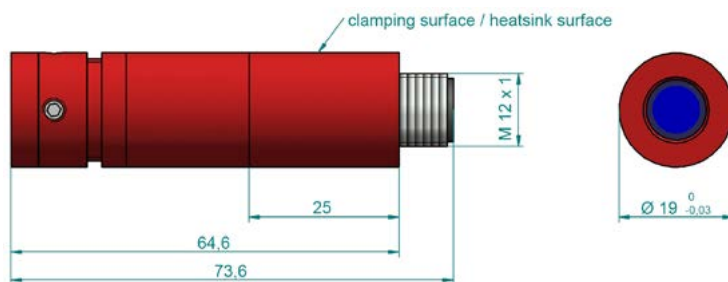
The FLEXPOINT® HD series offers various dot, line and crosshair laser modules for alignment and positioning applications. The plug and play lasers offer an user adjustable focusing mechanism and can be ordered with a wide range of accessories like power supply, battery pack and mounts.

Features

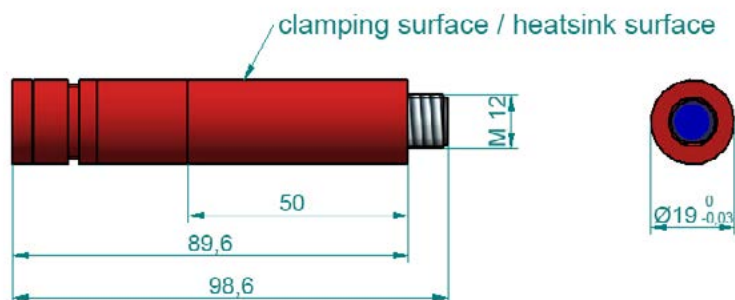
- Heavy duty housing
- Fully IP67 proved
- Dot, line and crosshair projection
- Bright green or bright red laser light
- Wide supply voltage range (4.5/10-30 VDC)
- Wide range of accessories
- Laser class 1, 1M, 2, or 2M (no laser safety eyewear necessary)



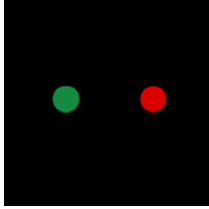

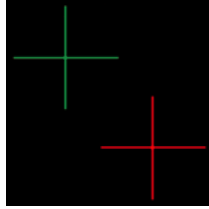
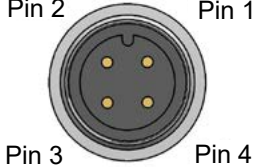
FLEXPOINT® Laser Modules HD Series with Adjustable Focus



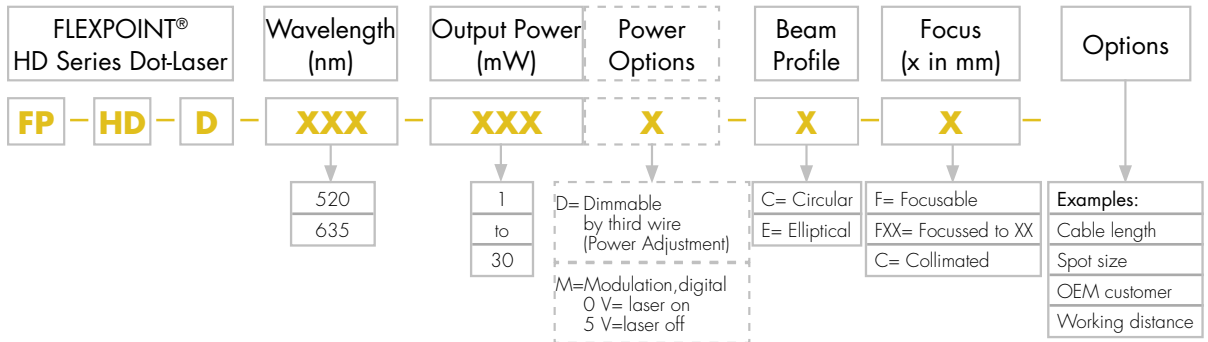
FLEXPOINT® Laser Modules HD Series for Dot Laser



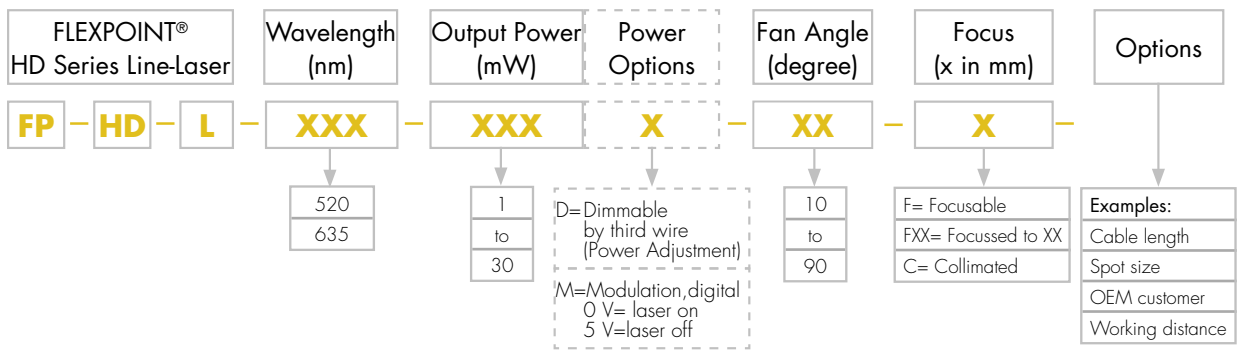
Specifications

| Laser Patterns | Dot laser | Line laser | Crosshair laser |
|---------------------------------|---|---|---|
| |  |  |  |
| Wavelength | 520 nm (bright green) / 635 nm (bright red) | | |
| Output power | <1 mW –30 mW (520 nm) / 40 mW (635 nm) | | |
| Output power stability | < 5% (after warm up at 25 °C) | | |
| Modulation (option) | digital, 0 – 10 kHz (active low, higher frequency on request) | | |
| Power adjustment (option) | by control wire, 0 – 5 V (active low) | | |
| Bore sighting | ≤ 10 mrad | | |
| Pointing stability | 10 µrad/°C | | |
| Focus | adjustable or fixed | | |
| Operating voltage | 520 nm: 10 - 30 VDC 635 nm: 4.5 - 30 VDC (reverse voltage protection) | | |
| Current consumption | < 200 mA (depending on output power) | | |
| Operating temperature (housing) | -20 to +50 °C | | |
| Storage temperature | -20 to +60 °C | | |
| Housing material | Aluminum, red anodized, potential free | | |
| Housing dimensions | Ø 19 mm, l = 65 mm with adjustable focus, l = 90 mm for dot lasers | | |
| Protection class | IP 67 | | |
| Connector |  <p>M12 sensor connector Pin 1: + Pin 2: Modulation (option) Pin 3: GND Pin 4: NC Option: 2 m cable instead of M12 connector</p> | | |
| Accessories | Mount, connecting cable, laser safety eyewear, power supply, battery pack | | |

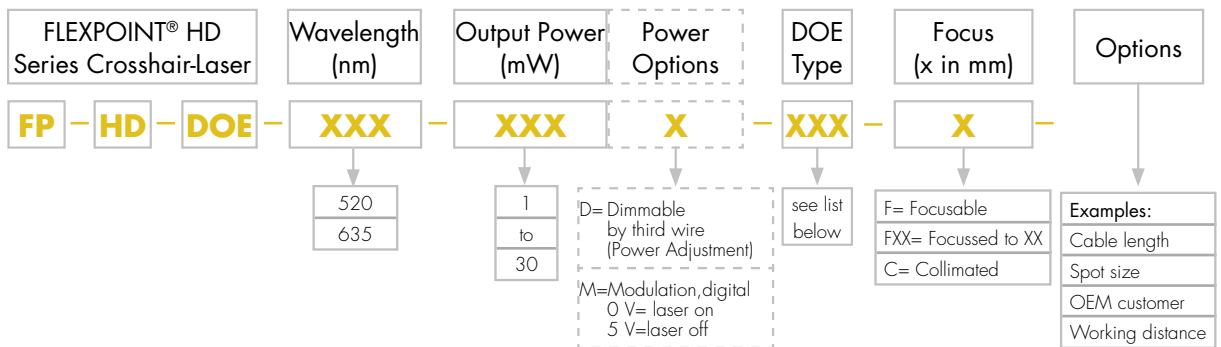
Ordering Code FLEXPOINT® HD Series Dot Lasers



Ordering Code FLEXPOINT® HD Series Line Lasers


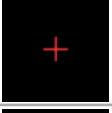
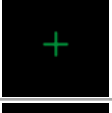
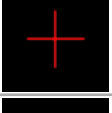
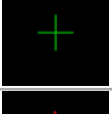
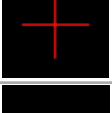

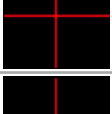
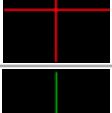
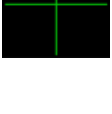


Ordering Code FLEXPOINT® HD Series Crosshair Lasers



Crosshair



| DOE Item # | Description | Pattern Size @ 100 mm Distance | | Pattern Angles (@ 635 nm) | Image |
|------------|----------------------|-----------------------------------|--|------------------------------|---|
| | | a | | α | |
| DOE-214 | Cross - 2 635 nm | 3.5 mm | | 2° |  |
| DOE-205 | Cross - 5 635 nm | 9 mm | | 5° |  |
| DOE-239 | Cross - 5 520 nm | 10.5 mm | | 5° |  |
| DOE-218 | Cross - 15 635 nm | 26 mm | | 15° |  |
| DOE-289 | Cross - 15 520 nm | 26.4 mm | | 15° |  |
| DOE-247 | Cross - 25 635 nm | 44 mm | | 25° |  |
| DOE-212 | Cross - 25 520 nm | 45.1 mm | | 25° |  |
| DOE-249 | Cross - 45 635 nm | 83 mm | | 45° |  |
| DOE-280 | Cross - 60 635 nm | 116 mm | | 60° |  |
| DOE-342 | Cross - 52 520 nm | 97.6 mm | | 52° |  |

Accessories

FP-PS-HD-12 Heavy Duty Power Supply

This Power Supply can be used worldwide with all types of the FLEXPOINT® HD series. It is not to be used with other equipment than specified.

FP-PS-HD-12 Power Supply

| | |
|-----------------------|--|
| Content of delivery | Power supply, 4x plug adapter (Europe, UK, USA, Japan) |
| Operating voltage | 100 – 240 VAC / 50 – 60 Hz |
| Output voltage | 12 VDC |
| Output current | 10 mA – 1200 mA |
| Cable length | 1.8 m, AWG 18 |
| Connector | M12 female (Pin 1: + / Pin 3: GND) |
| Operating temperature | 0 °C to + 40 °C |



LT-PLM-AP-10: Battery pack for mobile applications

This battery pack power supply can be used in mobile applications with all types of the FLEXPOINT® HD series. It is not to be used with other equipment than specified. The battery pack and the Charger are designed for indoor use only.

LT-PLM-AP-10 battery pack

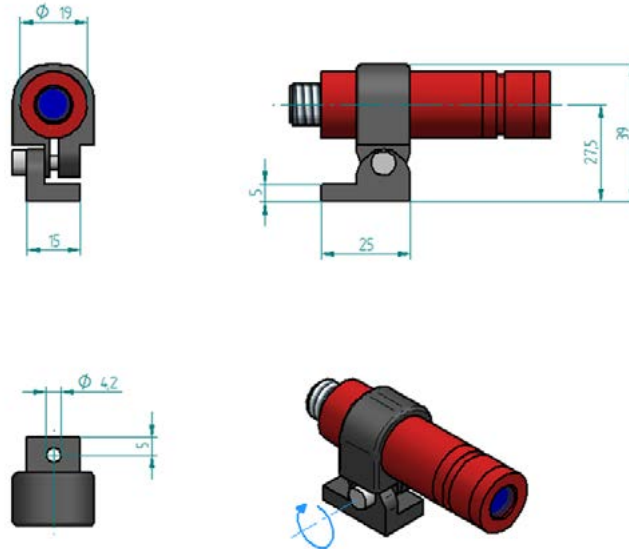
| | |
|-----------------------|----------------------------------|
| Content of delivery | battery pack, charger, M12 cable |
| Input voltage | 100 – 240 VAC / 50 – 60 Hz |
| Output voltage | 10 VDC |
| Capacity | 800 mAh |
| Battery technology | NiMH |
| Operating temperature | -20 °C to + 60 °C |
| Connector | M12 (Pin 1: + / Pin 3: GND) |
| Cable length | 1.5 m |
| Dimensions | 80 mm x 75 mm x 30 mm |



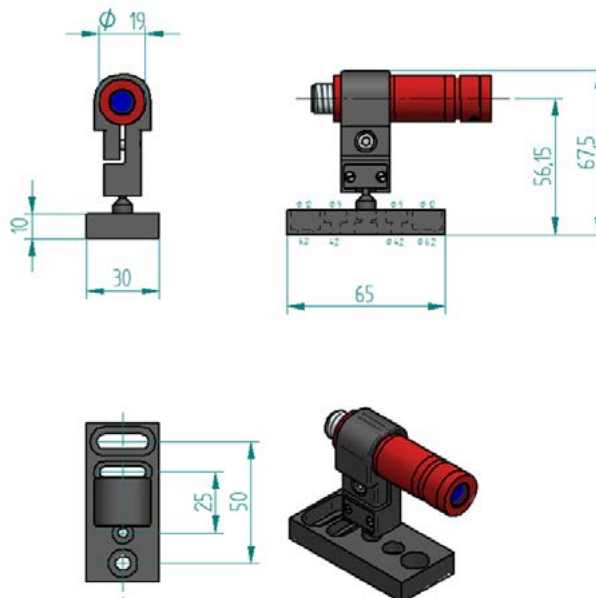
M12 Connecting Cables

Available lengths: | 2 m/5 m/10 m

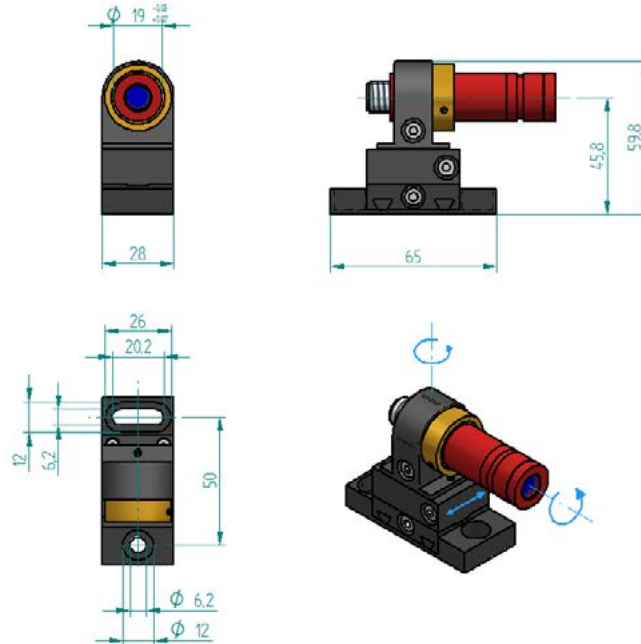
Standard Mount FP-MS-19



Mount with globe joint FP-MG-19



Precision Mount FP-MPT-19



Precision Mount FP-MPS-19

