

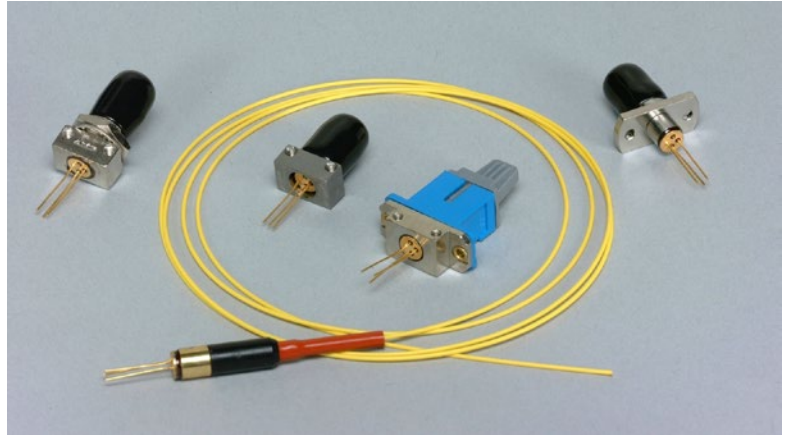


PDINAS Series 70micron InGaAsP PIN

InGaAs PIN Detectors

PD-LD Inc. offers low noise, high responsivity InGaAsP photo detectors in convenient fiber coupled packages. These assemblies incorporate 70 micron diameter active area detector that responds optimally to both 1310 and 1550 nm light sources. Each module contains a semiconductor whose bandwidth is ideally suited to industry standard transmission rates from DC to 2.5 GHz (typ). Having a 70um diameter active area makes them suitable for coupling to SMF as well as 50um core and 62.5um core multimode fibers. When fiber pigtailed with SMF these components are available with low back reflection performance. LBR is specified as -45 db maximum optical return loss.

These modules are available with either bare or connectorized fiber pigtailed or in receptacle style housings suitable for board or panel mounting. These high reliability units are operational over industrial environmental conditions.



Applications

- Communications
- Sensing
- Power Monitoring
- Test Equipment
- 1100 to 1650nm Operation.

Features

- 70 micron active area InGaAs Photodiodes
- High Linearity
- High Responsivity
- Low capacitance receivers
- -40 to 85°C Operating Range
- FC, ST ,SC Receptacle Housing
- Pigtailed with SMF, MMF

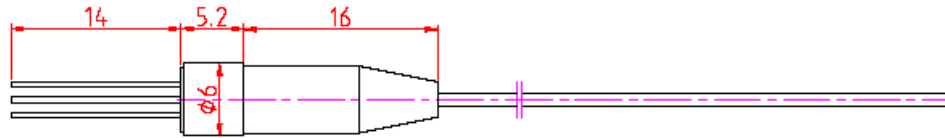
Parameter	Units	Symbol	PDINAS Series (V _R = -5V, T=25 C)
Active Diameter	Microns	μm	70 typical
Operating Wavelength	nm	Lambda	1100 to 1600 nm
Responsivity -1300 nm -1550 nm	A/W	R	0.85 min 0.90 min
Analog Bandwidth (-3 dB)	GHz	BW _e	2.5 min
Dark Current	nA	I _d	0.1 max @25 C 1.0 max @ 85C
Reverse Voltage	V	V _R	20 max
Operating Voltage	V	V _{op}	-5 typ
Capacitance	pF	C	0.8 max 0.5 typ
Forward Current	mA	I _F	10 max
Input Power	P _{max}	mW	10 max
Operating Temperature	°C	T _{op}	-40 to 85
Storage Temperature	°C	T _{st}	-40 to 85

Specifications are subject to change without notice.

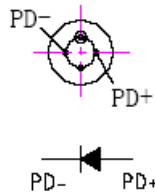
06-15 70um PIN AS.Rev1

PDINAS Series 70micron InGaAsP PIN

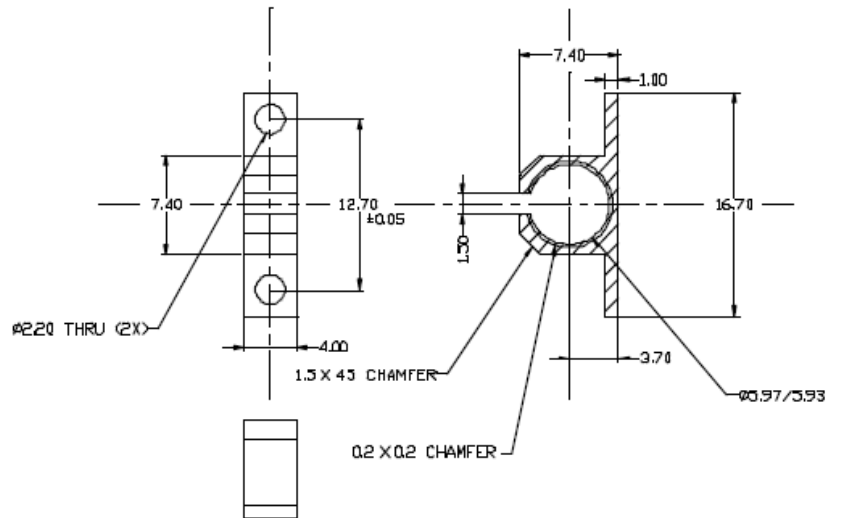
Pinout & Mechanical Dimnsions (mm)



Type A



PCB Mounting Bracket "D"



Ordering Information

Fiber Pigtailed Devices

PDINAS070FCCB-O-V-MM

D= PIN Diode IN= InGaAs Photodiode	F = Fiber Type 1 = 9/125/900 SMF 2 = 50/125 MMF 3 = 62.5/125 MMF 5= 9/125/900 LBR 9 = Supplied by cust	AS070 = "A" pin-out & 070= Diameter	CC = Connector Type ST = ST LC = LC/PC LA = LC/APC FC = FC PC FA = FC/APC OO = No Connector
Bracket Type (pigtail only) A = None B = Panel Mount D = Board Mount E = Panel Mount (12mm hole spacing)	O = Orientation of Leads A= Bracket shipped loose U= Ground fixed at 6:00 Z= Ground fixed at 12:00	V=Version O= standard 1= special	M = Length in meters (pigtail only) 10 = 10meter 03 = 3 meters 01 = 1 meter .1 = .1 meters .5 = 0.5 meters

Specifications are subject to change without notice.

06-15 70um PIN AS.Rev1