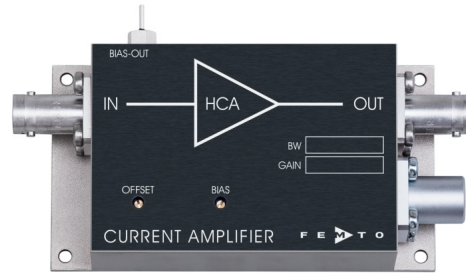


Datasheet

HCA-2M-1M-C

High-Speed Current Amplifier



Features

- Bandwidth and Frequency Response Independent of Detector Capacitance (up to 1 nF)
- Low Noise 3.5 pA/√Hz Equivalent Input Noise Current
- Bandwidth DC ... 2 MHz
- Transimpedance (Gain)  $1 \times 10^6$  V/A
- Protection against  $\pm 3.5$  kV Transients

Applications

- Photodiode and Photomultiplier Amplifier
- Spectroscopy
- Charge Amplifier
- Ionisation Detectors
- Preamplifier for Lock-Ins, A/D Converters, etc.

Specifications

	Test Conditions	$V_s = \pm 15$ V, $T_a = 25^\circ\text{C}$
Gain	Transimpedance	$1 \times 10^6$ V/A (@ 50 $\Omega$ load)
	Gain Accuracy	$\pm 1$ %
Frequency Response	Lower Cut-Off Frequency	DC
	Upper Cut-Off Frequency (-3 dB)	2 MHz
	Rise / Fall Time (10% - 90%)	180 ns
	Gain Flatness	$\pm 0.3$ dB
Input	Equ. Input Noise Current	3.5 pA/√Hz (@ 100 kHz)
	Equ. Input Noise Voltage	0.8 nV/√Hz (@ 100 kHz)
	Input Bias Current	18 $\mu$ A typ.
	Input Bias Current Drift	0.8 nA / K
	Offset Current Compensation	$\pm 6$ $\mu$ A adjustable by offset trimpot
	Input Current Range	$\pm 1.5$ $\mu$ A (for linear amplification)
	Input Offset Voltage	3 mV
	DC Input Impedance	50 $\Omega$ (virtual) // 5 pF
Output	Output Voltage Range	$\pm 1.5$ V (@ 50 $\Omega$ load) for linear operation and low harmonic distortion
	Output Impedance	50 $\Omega$ (terminate with 50 $\Omega$ load for best performance)
Bias Output	Bias Output Voltage Range	$\pm 12$ V, adjustable by bias trimpot
	Bias Output Impedance	10 k $\Omega$ // 1 $\mu$ F

SOPHISTICATED TOOLS FOR SIGNAL RECOVERY

F E M T O

DE-HCA-2M-1M-C\_R3/JM/18MAR2019

**Datasheet**

**HCA-2M-1M-C**

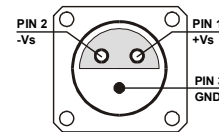
**High-Speed Current Amplifier**

Specifications (continued)

Power Supply	Supply Voltage Supply Current	$\pm 15$ V $\pm 50$ mA typ. (depends on operating conditions, recommended power supply capability minimum $\pm 150$ mA)
Case	Weight Material	210 g (0.5 lbs) AlMg4.5Mn, nickel-plated
Temperature Range	Storage Temperature Operating Temperature	$-40 \dots +100$ °C $0 \dots +60$ °C
Absolute Maximum Ratings	Input Voltage Input Voltage Transient Power Supply Voltage	$\pm 5$ V $\pm 3.5$ kV (pulsewidth 10 ns) $\pm 22$ V

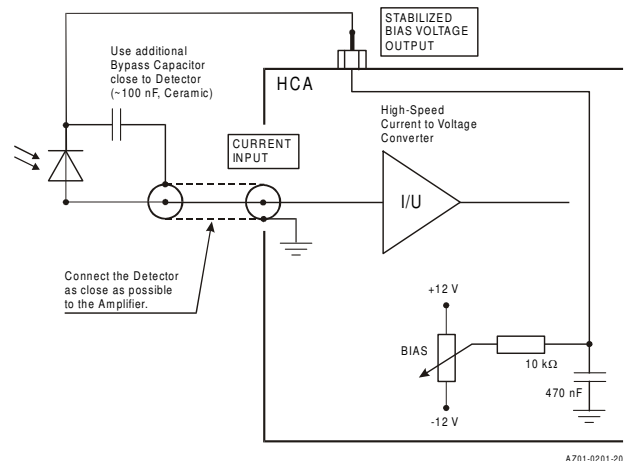
Connectors

Input	BNC
Output	BNC
Power Supply	LEMO series 1S, 3-pin fixed socket
	Pin 1: +15V
	Pin 2: -15V
	Pin 3: GND



Application Diagrams

Photo Detector Biasing in Photoconductive Mode:  
Best choice for high speed applications and optimum signal to noise performance.



SOPHISTICATED TOOLS FOR SIGNAL RECOVERY

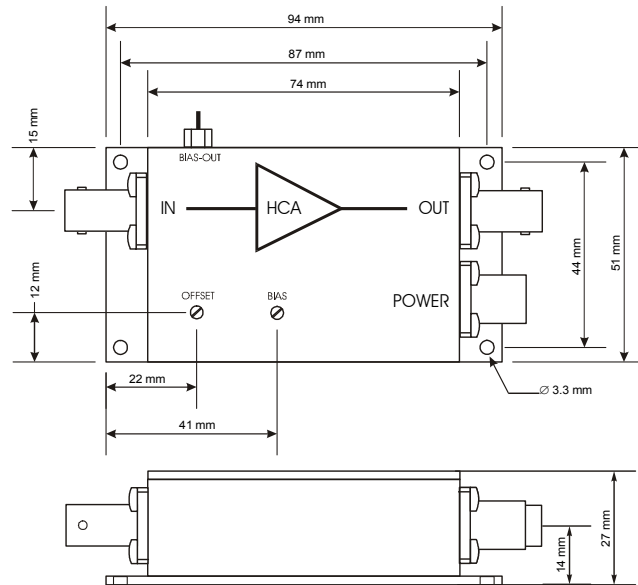


**Datasheet**

**HCA-2M-1M-C**

**High-Speed Current Amplifier**

Dimensions



DZ01-0201-22

Specifications are subject to change without notice. Information provided herein is believed to be accurate and reliable. However, no responsibility is assumed by FEMTO Messtechnik GmbH for its use, nor for any infringement of patents or other rights of third parties which may result from its use. No license is granted by implication or otherwise under any patent or patent rights of FEMTO Messtechnik GmbH. Product names mentioned may also be trademarks used here for identification purposes only.

© by FEMTO Messtechnik GmbH · Printed in Germany

**SOPHISTICATED TOOLS FOR SIGNAL RECOVERY**

