

**Datasheet: Necsel™ Blue Novalum VHP Laser**

These specifications are for the Necsel blue Novalum VHP package. The centroid of the wavelength spectrum will be within the indicated wavelength range.



Model #	Symbol	Min. (nm)	Typical (nm)	Max. (nm)
Blue-VHP-46x	$\lambda$	460	464	468

**Operating Wavelengths**

Laser Parameter	Symbol	Min.	Typical	Max.	Unit
Operating Power (CW)	$P_{op}$	-	21	-	W
Module Operating Temperature [non-condensing atmosphere]	$T_{Thermistor}$	-	30	-	°C
Center Wavelength [at 25°C and $P_{op}$ ]	$\lambda$	460	464	468	nm
Wavelength Temperature Coefficient	-	-	0.1	-	nm/°C
Threshold Current	$I_{th}$	-	450	-	mA
Slope Efficiency	$\eta$	-	16.8	-	W/A
Laser Power Conversion Efficiency	PCE	-	24	-	%

**Power Supply Requirements**

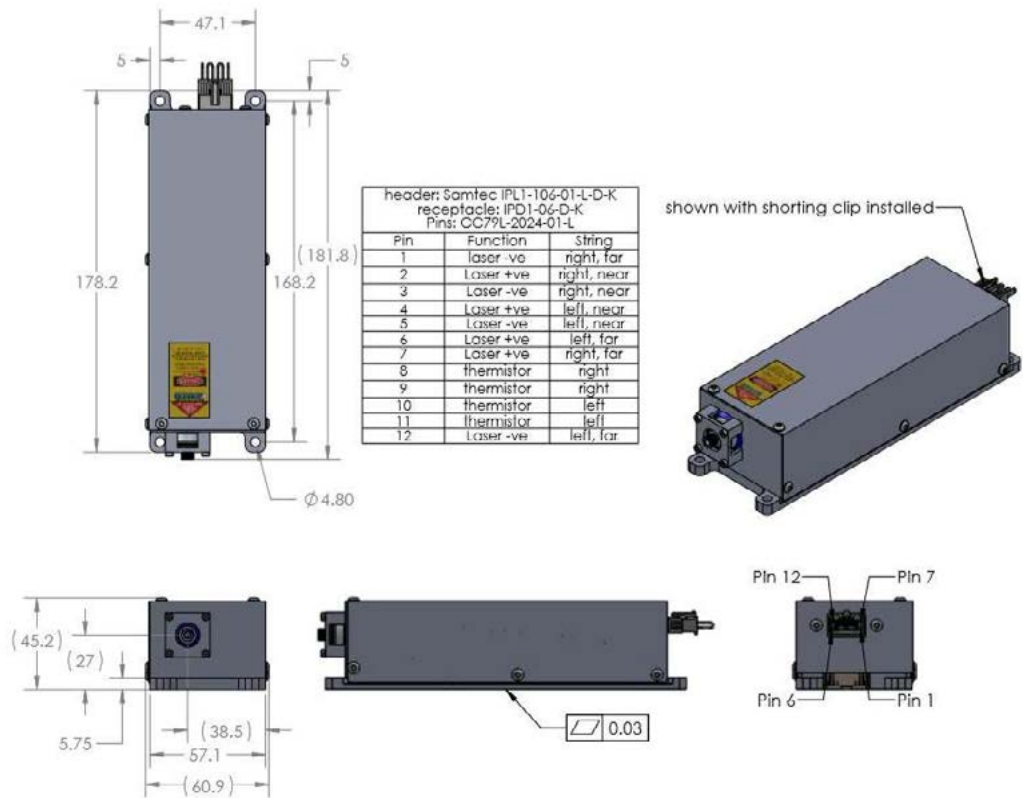
Operating Voltage (4 strings in series)	$V_{op}$	36	52	58	V
Operating Voltage per string	$V_{op}$	9	13	14.5	V
Allowable Reverse Current	$I_r$	-	-	85	mA
Operating Current	$I_{op}$	-	1.7	2.0	A

**Fiber Specifications**

Fiber Core Diameter (Centration $\leq 10 \mu\text{m}$ )		0.400		mm
Connector Type (Nose length 0.3850 - 0.3863 in., 9.779 – 9.812 mm)		SMA-905		
Numerical Aperture		0.22		



Outline Drawing and Electrical Connections



Necsel follows a policy of continuous product improvement and may change product descriptions and specifications at any time without notice. Necsel offers a limited product warranty to ensure customer satisfaction. Standard terms and conditions can be found on the web at <http://necsel.com/terms-conditions>. This product is solely intended to be integrated into a laser product certified by the Customer. The Customer acknowledges that their product(s) that incorporate Necsel laser products must comply with the applicable regulations before it can be sold.



USHIO