

**Datasheet: Necsel™ RGB NovaLum 1200 Laser**

These specifications are for the Necsel multi-color (RGB) NovaLum package (1200 lumens at D65).



Model #	Symbol	Min. (mW)	Typical (mW)	Max. (mW)
NovaLum-RGB-1200	$\lambda$	-	5190	-

**Operating Wavelengths**

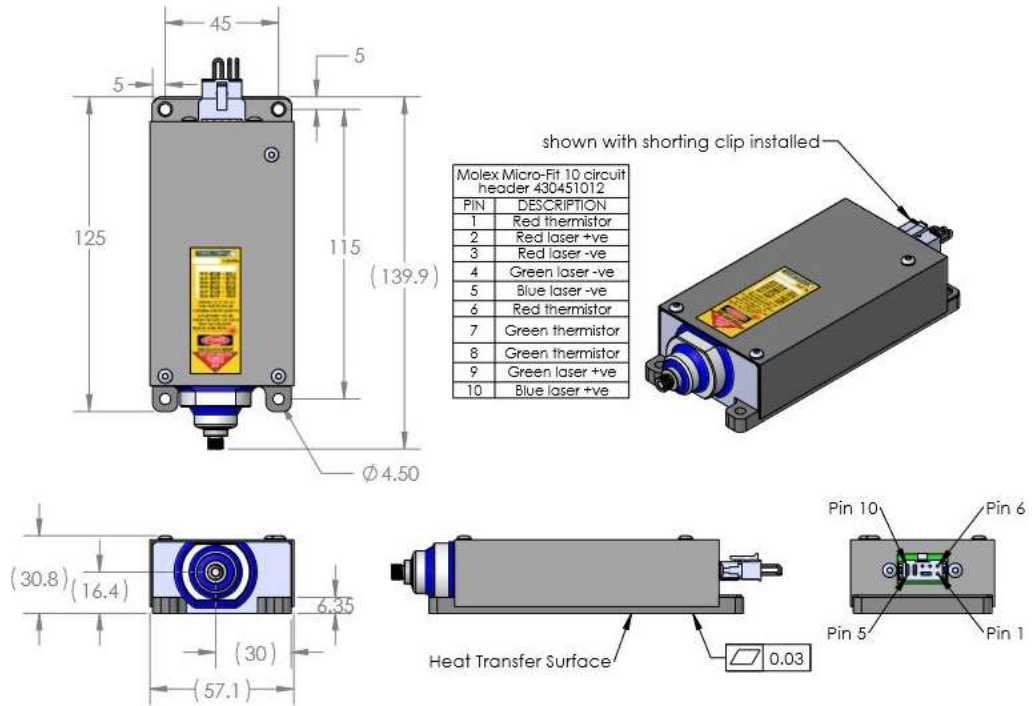
Laser Parameter	Symbol	Min.	Typical	Max.	Unit
Operating Power RGB (D65 White Balanced)	$P_{op}$	-	5190	-	mW
Module Operating Temperature [non-condensing atmosphere]	$T_{Thermistor}$	-	25	-	°C
<b>Red</b>					
Center Wavelength	$\lambda$	-	638	-	nm
Operating Power	$P_{op}$	2500	-	-	mW
Current	$I_{op}$	-	800	-	mA
Voltage	$V_{op}$	9.5	12.0	13.0	V
<b>Green</b>					
Center Wavelength	$\lambda$	-	525	-	nm
Operating Power	$P_{op}$	1500	-	-	mW
Current	$I_{op}$	-	1700	-	mA
Voltage	$V_{op}$	7.0	9.4	10.4	V
<b>Blue</b>					
Center Wavelength	$\lambda$	-	465	-	nm
Operating Power	$P_{op}$	1200	-	-	mW
Current	$I_{op}$	-	1500	-	mA
Voltage	$V_{op}$	3.5	4.2	4.8	V

**Fiber Specifications**

Fiber Core Diameter (Centration $\leq 10 \mu\text{m}$ )	0.400	mm
Connector Type (Nose length 0.3850 - 0.3863 in., 9.779 9.812 mm)	SMA-905	
Numerical Aperture	0.22	

**USHIO**

Outline Drawing and Electrical Connections



Necsel follows a policy of continuous product improvement and may change product descriptions and specifications at any time without notice. Necsel offers a limited product warranty to ensure customer satisfaction. Standard terms and conditions can be found on the web at <http://necsel.com/terms-conditions>. This product is solely intended to be integrated into a laser product certified by the Customer. The Customer acknowledges that their product(s) that incorporate Necsel laser products must comply with the applicable regulations before it can be sold.



USHIO