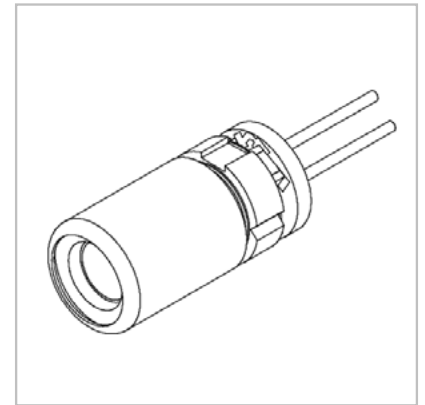


Laser Module LC-LMD-650-77-T60

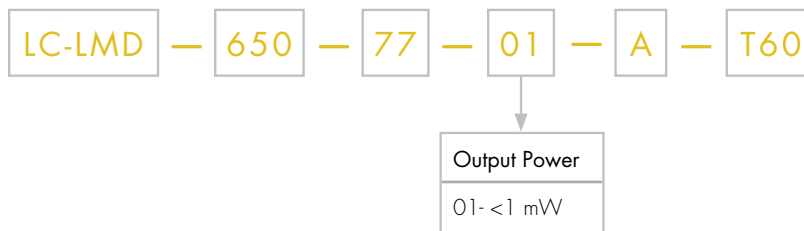
Ø 3.3 mm, 650 nm Laser Module

Features

1. APC (auto power control) IC inside
2. Low current consumption of the APC circuit
3. Much smaller LD module
4. Surge current protection
5. High quality lens for output beam



Part No. Indications



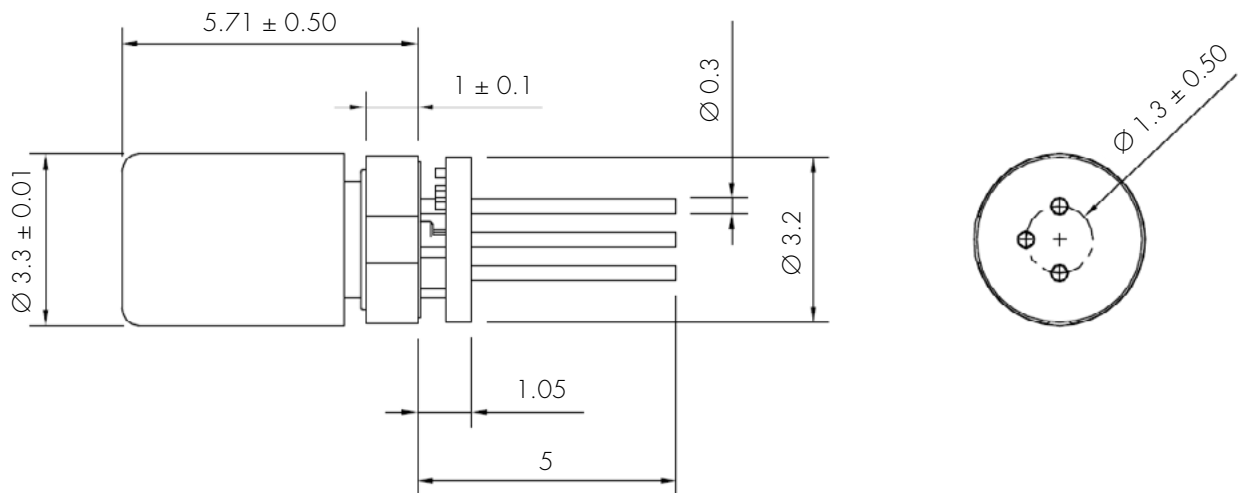
Absolute Maximum Ratings

Parameter	Symbol	Rating	Unit
Power supply voltage	V_{CC}	6	V
Laser module optical output power	P_o	< 1	mW
Operation temperature	T_{opr}	-30 ~ 60	°C
Storage temperature	T_{stg}	-40 ~ 85	°C

Electrical and Optical Characteristics ($T_C = 25\text{ }^\circ\text{C}$)

Parameter	Symbol	Min.	Typ.	Max	Unit	Conditions
Wavelength	λ	-	655	-	nm	$P_o = 0.3\text{ mW}$
Operation current	I_{op}	-	-	30	mA	$P_o = 0.3\text{ mW}$ $V_{cc} = 3\text{ V}$
Optical output power	P_{out}	0.4		0.95	mW	
Operation voltage	V_{op}	2.7	-	5	Volt	
laser beam spot size at 10 m				< 25	mm	
Divergence angle				2.5	mrad	

Outline Dimensions (Units: mm)



DC Power connection mode 1

TA type:

Heat sink stand (-)

