

Motorized Solutions



- Hall-Effect solid-state sensor technology integrated into motorized zoom lenses.
- Hall-Effect sensors are unaffected by ambient light, environmental contamination, and variations in line voltage.
- Motorized zoom and focus, or just motorized zoom.
- Motorized controllers feature single or dual axis control via serial RS-232 or USB.
- Control systems available as table top or board level for the OEM.
- Software includes Windows interface and National Instruments "VI."

Motorized

Zoom Lenses



Hall-Effect Solid State Sensor Technology

- Unaffected by ambient light.
- Unaffected by environmental contamination.
- Unaffected by line voltage.



More Robust Design

Navitar's motorization design, available on the 12X and Zoom 6000 systems, integrates magnetic Hall-Effect sensors to reference position location. Hall-Effect sensors are solid state devices with no moving parts. They are based on the Hall-Effect, named after its discoverer Edwin Hall in 1879. The Hall-Effect sensing mechanism utilizes a magnetic field to trigger a pulse in a semiconductor circuit. Compared to photo-electric sensors, the Hall-Effect sensors are not affected by harsh, dirty or dusty environments, ambient room light, or variation in system voltages.

Our motorized zoom lenses include LabView "VI" and Windows user interface. They can be controlled via serial RS-232 or USB. The control system is available as either table top or board level.

Users can choose to motorize the zoom and focus axis, or just the zoom. We have three different motor types available:

- 2 Phase Stepping Motor (Faulhaber)
- 5 Phase Stepping Motor (Oriental, Vexta)
- DC Servo with Encoder (Faulhaber)



Motorized Options

- 12X or 6.5X:1 zoom ratio.
- Standard or UltraZoom.
- Motor type (3 choices).
- Motorized zoom and focus, or manual fine focus.
- Fine focus type: 12 mm, 3 mm with coax, or no fine focus (F.F.).
- Coaxial illumination or ring light configuration. (Fiber or LED based coaxial illumination. Standard or parallel coaxial inputs.)



* Coaxial illumination input must be ordered separately. Specifically, lenses with coaxial illumination must be ordered with the correct option. See coaxial illumination options on the following page.

Motorized Lens Options

Outline drawing for all lenses are available on our website at www.machinevision.navitar.com

Motorized 6X Zoom Options

Fine Focus Type	Motor Type		
	2 σ Stepper	5 σ Stepper	Encoded/Servo
12 mm Motorized Fine Focus	1-62318	1-62314	1-62310
3 mm Motorized Fine Focus w/ Coax*	1-62319	1-62315	1-62311
12 mm Manual Fine Focus	1-62523	1-62521	1-62522
3 mm Manual Fine Focus w/ Coax*	1-62525	1-62526	1-62524
Non Fine Focus, Non Coax	1-62605	1-62604	1-62606
Non Fine Focus w/ Coax*	1-62608	1-62607	1-62609

Motorized 6X UltraZoom Options

Fine Focus Type	Motor Type		
	2 σ Stepper	5 σ Stepper	Encoded/Servo
12 mm Motorized Fine Focus	1-62316	1-62312	1-62308
3 mm Motorized Fine Focus w/ Coax*	1-62317	1-62313	1-62309
12 mm Manual Fine Focus	1-62517	1-62519	1-62516
3 mm Manual Fine Focus w/ Coax*	1-62639	1-62645	1-62633
Non Fine Focus, Non Coax	1-62637	1-62643	1-62631
Non Fine Focus w/ Coax*	1-62638	1-62644	1-62632

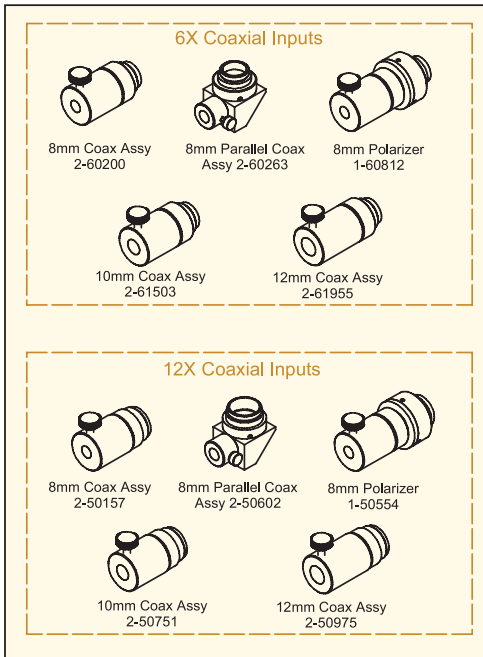
Motorized 12X Zoom Options

Fine Focus Type	Motor Type		
	2 σ Stepper	5 σ Stepper	Encoded/Servo
12 mm Motorized Fine Focus	1-51188	1-51206	1-51190
3 mm Motorized Fine Focus w/ Coax*	1-51200	1-51204	1-51202
12 mm Manual Fine Focus	1-51319	1-51316	1-51337
3 mm Manual Fine Focus w/ Coax*	1-51311	1-51315	1-51338
Non Fine Focus, Non Coax	1-51314	1-51317	1-51335
Non Fine Focus w/ Coax*	1-51318	1-51306	1-51336

Motorized 12X UltraZoom Options

Fine Focus Type	Motor Type		
	2 σ Stepper	5 σ Stepper	Encoded/Servo
12 mm Motorized Fine Focus	1-51192	1-51208	1-51194
3 mm Motorized Fine Focus w/ Coax*	1-51196	1-51210	1-51198
12 mm Manual Fine Focus	1-51325	1-51322	1-51333
3 mm Manual Fine Focus w/ Coax*	1-51326	1-51321	1-51334
Non Fine Focus, Non Coax	1-51320	1-51323	1-51331
Non Fine Focus w/ Coax*	1-51324	1-51327	1-51332

Illumination Options for Motorized Lenses



BrightLight LED*	Description and Fiber Input Size
1-62400	white
1-62401	red
1-51212	white
1-51213	red
Coaxial Inputs for Zoom 6000	Description and Fiber Input Size
2-60200	8 mm diameter
2-61503	10 mm diameter
2-61955	12 mm diameter
2-60263	8 mm parallel coaxial
1-60812	8 mm polarizer
Coaxial Inputs for 12X Zoom	Description and Fiber Input Size
2-50157	8 mm diameter
2-50751	10 mm diameter
2-50975	12 mm diameter
2-51602	8 mm parallel coaxial
1-50554	8 mm polarizer

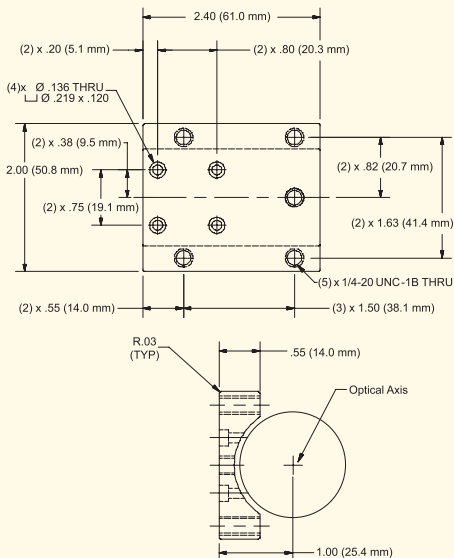
*LED illumination is recommended. See page 91 for details.

Mounting Options for Motorized Lenses

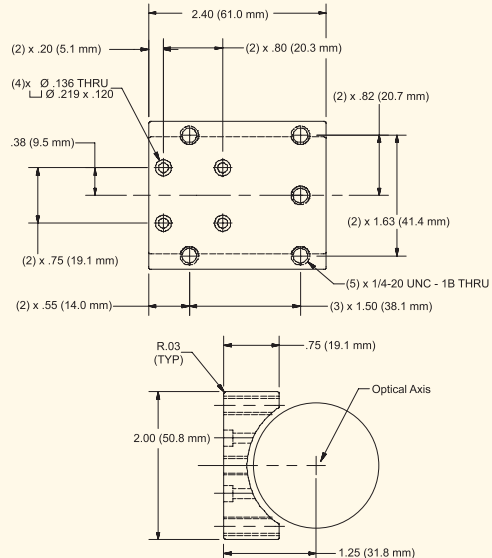
Navitar also offers flat mounting assemblies for easy integration of our motorized zoom lenses into any application. The flat mounts securely attach to the zoom body using 4 hex screws. Four additional ¼-20 thru holes are integrated into the mounts to provide a robust attachment point to any machine surface.



6.5X (1-62572)



12X (1-51272)



Controllers

Motorized Controllers

All Navitar 12X and Zoom 6000 motorized systems can be ordered with a fully integrated control system. Navitar's control systems feature single or dual axis control via serial RS-232 or USB. Software includes LabView™ VI and Windows Graphical User Interface "GUI" for simple axis control. Connections are made via two 15-pin high density d-sub connectors. Arrangements can be made for supplying the underlying software code for OEM platform assimilation.

System Requirements

Operating Systems Supported for Serial RS-232:

- Windows 98, ME, NT, 2000, and XP.

Operating Systems Supported for USB:

- Windows 98, ME, 2000, and XP.

Computer Requirements:

- Windows Operating System.
- Port: 1 serial or 1 USB port (can be a hub).
- Hard Disk: 1 M bytes.
- RAM: Same as Operating System (if OS works, controller will work).
- Display: Any will work.

Available Control Systems

Part #	Description
Board Level	
2-62577	2 phase stepper PCB
2-62590	5 phase stepper PCB
2-62509	Servo with encoder PCB
Enclosures	
1-62420	2 phase enclosure
1-62506	5 phase enclosure
1-62508	Servo with encoder enclosure
Accessories & Power Supplies	
1-62504	Universal power supply, 90-264 Vac, 47-63Hz
8-62503	Domestic power supply, 120 Vac, 60Hz
8-62501	USB cable (6 feet)
8-62502	RS-232 cable (6 feet)

* Required accessories include a power supply (domestic or international) and either a USB or RS-232 communication cable.

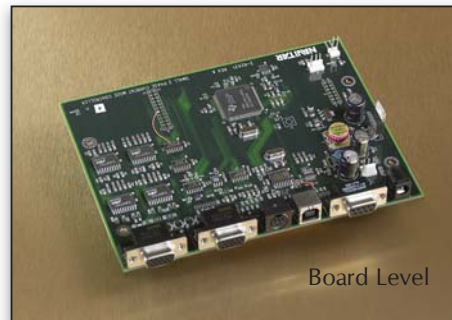
Manual Controllers

Navitar's HE manual motor controller (1-62823) is designed to allow manual operation of any of the new Navitar Hall Effect motorized lenses.

- Manually operates both zoom and focus with individual speed control.
- No computer required.
- Allows trouble-shooting of lens operation without the variables of software or operating systems.
- Permits quick bench top set-up and operation.

Our HE manual motor controller can be easily used in conjunction with standard Navitar packaged remote controllers or OEM circuit boards.

- Compatible Enclosures: 1-62420, 1-62506, and 1-62508
- Compatible OEM Boards: 2-62577, 2-62590, and 2-62509



Board Level



Enclosure

Controller Back Panel

