

Data Sheet *HISpower*  
**HIS2000R-OWC**  
TO-8 Thermal Infrared Emitter

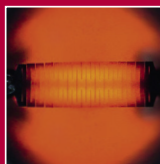
## HIS2000R-OWC

Thermal infrared emitter with gold plated reflector and Winston cone collimator

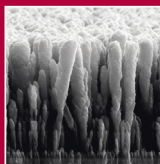
Our HIS2000R-OWC is a NiCr filament based thermal emitter in a TO8 package, with a gold plated reflector as well as a gold plated Winston cone collimator. While the reflector directs the radiation emitted from the rear of the filament to the front, the Winston cone collimator bundles and focuses the beam for maximum optical performance. The open emitter offers high power for a wide spectral measuring range.

**HISpower series** emitters have an integrated gold plated reflector that directs the radiation emitted from the rear to the front in order to achieve maximum efficiency. All our emitters offer minimum drift at constant resistance (Ohm). Infrasolids IR emitters are characterized by a very low temperature coefficient of electrical resistance. Therefore the hot resistance and the cold resistance are almost identical which eases the electrical control of the IR sources.

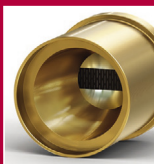
### Key features



**High radiant power**



**High efficiency**



**Low Cost**

- ✓ Pulsable thermal black-body infrared source mounted in an industry standard TO-8 package.
- ✓ Patented nanostructured radiating element achieves up to 500% more detection signal!
- ✓ Lower radiating element temperature of 630 °C increases lifetime!
- ✓ Wide wavelength range enables a broad range of applications.

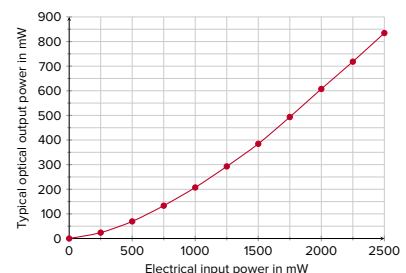
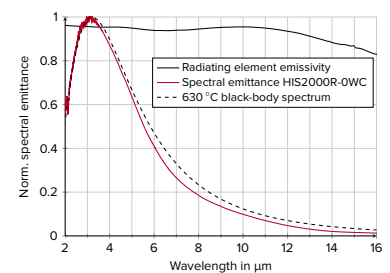
*innovative infrared sources for  
gas detection & spectroscopy*

### Main specifications

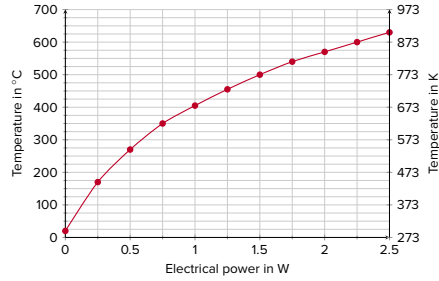
Parameter	HIS2000R-OWC
Package	TO-8
Radiating element area	40 mm <sup>2</sup>
Radiating element emissivity	> 0.9
Radiating element temperature	630 °C at 2.5 W
Optical output power	up to 830 mW
Max. electrical power (DC)	2.5 W
Max. electrical voltage	3.8 V
Max. electrical current	660 mA
Electrical resistance	5...6 Ω
Modulation frequency*	4 Hz
Filter/Window	None
Wavelength range	2 to 20 μm

\* 50 % modulation depth, square wave signal, 50 % duty cycle

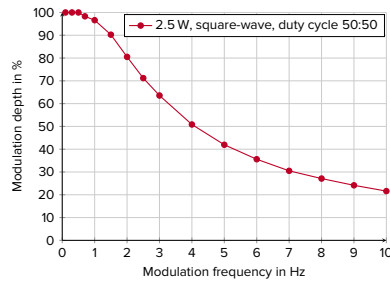
### Optical specifications



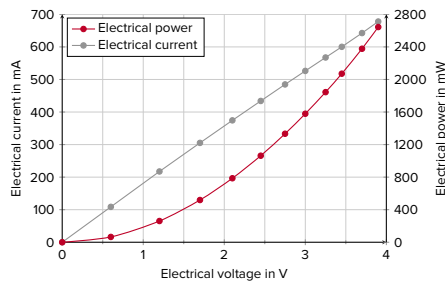
Radiating element temperature



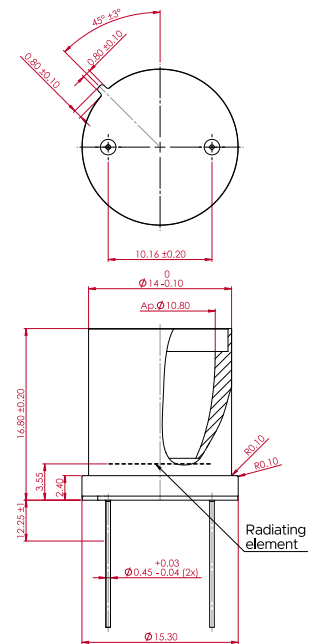
Modulation depth



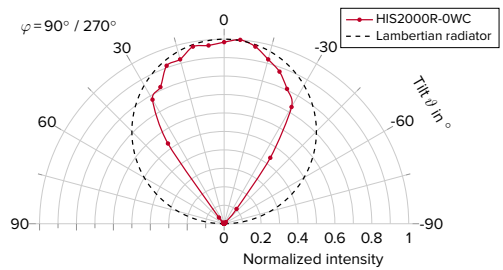
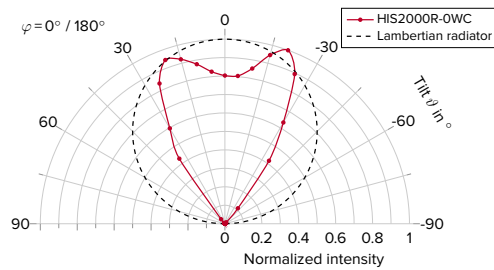
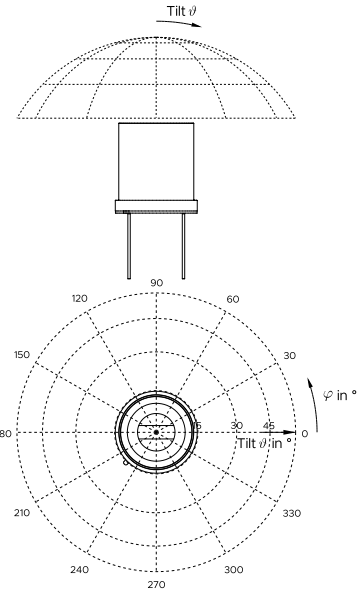
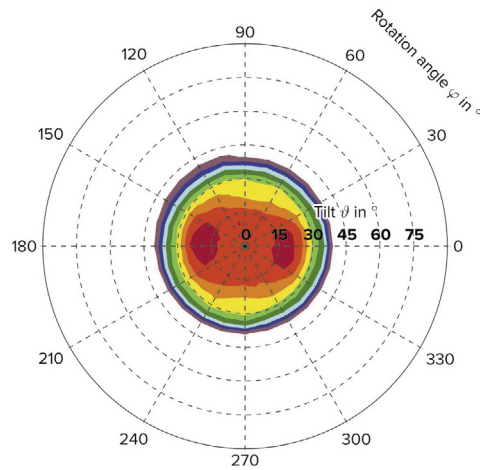
Electrical specifications



**HIS200R-OWC**



Angular radiation distribution



Operating mode recommendation:

All our IR sources can be driven in electrical voltage, current or power regulated mode. The application decides whether the operating mode is DC or AC (pulsed). Depending on the drive mode and the applied electrical power the electrical resistance of the IR emitter can change over time. For highest measurement accuracy a power regulated mode is always recommended for thermal IR emitters. However, it is the most complex operating mode and not suitable in all applications.

For applications that require a small and low-cost driving circuit with a maximum stability we have a technical note with an adjustable low dropout voltage (LDO) regulator.

For further information please refer to: [www.infrasolid.com/technicalnote](http://www.infrasolid.com/technicalnote)