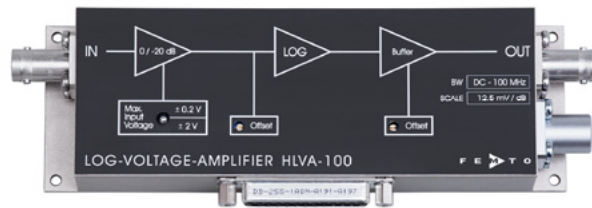


Datasheet

HLVA-100

Logarithmic Wideband
Voltage Amplifier



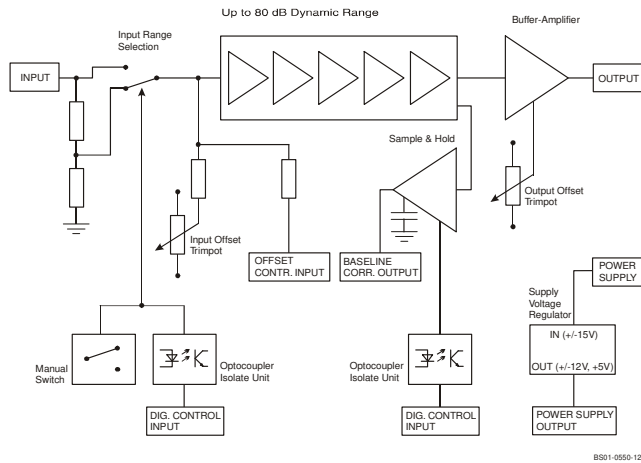
Features

- Wide Dynamic Range typ. 60 dB, max. 80 dB,
- 5 ns Rise/Fall Time @ 40 dB step
- Accuracy ± 1 dB @ pulse width of min. 20 ns
- Switchable Input Range $\pm 20 \mu\text{V}$... $\pm 200 \text{ mV}$... $\pm 200 \mu\text{V}$... $\pm 2 \text{ V}$
- DC coupled input
- Local and Remote Control
- Integrated Sample & Hold Baseline Correction

Applications

- LIDAR systems
- Signal Compression, Pulse Measurements
- Time-Resolved Pulse and Transient Measurements
- Mass Spectroscopy
- Particle Detection

Block Diagram



SOPHISTICATED TOOLS FOR SIGNAL RECOVERY



DE-HLVA-100_R2/JM/03JAN2019

Datasheet

HLVA-100

**Logarithmic Wideband
Voltage Amplifier**

Specifications	Test Conditions	$V_s = \pm 15\text{ V}$, $T_a = 25^\circ\text{C}$, System Impedance = $50\ \Omega$
Dynamic Performance	Dynamic Range	typ. 60 dB (for accurate amplitude measurements) max. 80 dB (signal detection)
	Input Voltage Range	$\pm 20\ \mu\text{V} \dots \pm 200\ \text{mV} / \pm 200\ \mu\text{V} \dots \pm 2\ \text{V}$ switchable
	Scaling	12.5 mV/dB equals 250 mV/decade (@ $50\ \Omega$ Load)
	Linearity	$\pm 1\ \text{dB}$ (for pulse of min. 20 ns pulse width)
Pulse Response	Rise/Fall time	5 ns @ 40 dB step
Input	Input Impedance	$50\ \Omega$
	Input Voltage Drift	0.6 $\mu\text{V}/\text{K}$
	Equivalent Input Voltage Noise	2 nV/ $\sqrt{\text{Hz}}$
	Input BIAS Current	< 4 μA
	Input Offset Voltage	$\pm 2.5\ \text{mV}$, adjustable by Offset-Trimpot and external Control Voltage
Output	Output Impedance	$50\ \Omega$
	Output Voltage Range	+50 ... +1075 mV typ. (@ $50\ \Omega$ Load) (if Output is adjusted to 1V at 100mV Input)
	Output Offset Voltage Range	$\pm 500\ \text{mV}$, adjustable by Offset-Trimmer
Digital Control	Control Input Voltage Range	Low: - 0.8 ... + 0.8 V High: + 3 ... + 12 V, TTL / CMOS compatible
	Control Input Current	Low: 0 mA High: + 1.5 mA @ + 5 V (Input Range Control) + 7 mA @ + 5 V (Baseline Correction Control)
Baseline Correction	Acquisition Time	30 μs (min. sample pulse width)
	Baseline Hold Droop Rate	1 $\mu\text{V}/\text{s}$ (typ. @ 25°C)
	Loop cut-off frequency	1.5 kHz
Ext. Offset Control	Control Voltage Range	$\pm 10\ \text{V}$ (for $\pm 2.5\ \text{mV}$ Offset Control)
	Offset Control Input Impedance	100 k Ω
Power Supply	Supply Voltage	$\pm 15\ \text{V}$
	Supply Current	+ 90 / -120 mA typ.
	Stabilized Power Supply Output	$\pm 12\ \text{V}$ / max. 100 mA, + 5 V / max. 50 mA
Case	Weight	320 gr. (0.74 lbs)
	Material	AlMg4.5Mn, nickel-plated
Temperature Range	Storage Temperature	- 40 ... + 100 $^\circ\text{C}$
	Operating Temperature	0 ... + 60 $^\circ\text{C}$
Absolute Maximum Ratings	Power Supply Voltage	$\pm 20\ \text{V}$
	Signal Input Voltage	$\pm 3\ \text{V}$ @ $\pm 2\ \text{V}$ Input Range Setting - 3 V / + 300 mV @ $\pm 200\ \text{mV}$ Input Range Setting
	Digital Control Input Voltage	+ 16 V / - 5 V

SOPHISTICATED TOOLS FOR SIGNAL RECOVERY



Datasheet

HLVA-100

**Logarithmic Wideband
Voltage Amplifier**

Connectors	<table border="0"> <tr> <td>Input</td> <td>BNC</td> </tr> <tr> <td>Output</td> <td>BNC</td> </tr> <tr> <td>Power Supply</td> <td>LEMO Series 1S, 3-pin fixed Socket Pin 1: + 15V Pin 2: - 15V Pin 3: GND</td> </tr> <tr> <td>Control Port</td> <td>Sub-D 25-pin, female, Qual. Class 2 Pin 1: +12V (Stabilized Power Supply Output) Pin 2: -12V (Stabilized Power Supply Output) Pin 3: AGND (Analog Ground) Pin 4: +5V (Stabilized Power Supply Output) Pin 5 - 6: NC Pin 7: Baseline Correction Output Pin 8: Offset Control Voltage Input Pin 9: DGND (Ground f. Digital Control Pin 10 - 25) Pin 10: Digital Control Input: Input Voltage Range Pin 11: Digital Control Input: Baseline Correction Pin 12 - 25: NC</td> </tr> </table>	Input	BNC	Output	BNC	Power Supply	LEMO Series 1S, 3-pin fixed Socket Pin 1: + 15V Pin 2: - 15V Pin 3: GND	Control Port	Sub-D 25-pin, female, Qual. Class 2 Pin 1: +12V (Stabilized Power Supply Output) Pin 2: -12V (Stabilized Power Supply Output) Pin 3: AGND (Analog Ground) Pin 4: +5V (Stabilized Power Supply Output) Pin 5 - 6: NC Pin 7: Baseline Correction Output Pin 8: Offset Control Voltage Input Pin 9: DGND (Ground f. Digital Control Pin 10 - 25) Pin 10: Digital Control Input: Input Voltage Range Pin 11: Digital Control Input: Baseline Correction Pin 12 - 25: NC												
Input	BNC																				
Output	BNC																				
Power Supply	LEMO Series 1S, 3-pin fixed Socket Pin 1: + 15V Pin 2: - 15V Pin 3: GND																				
Control Port	Sub-D 25-pin, female, Qual. Class 2 Pin 1: +12V (Stabilized Power Supply Output) Pin 2: -12V (Stabilized Power Supply Output) Pin 3: AGND (Analog Ground) Pin 4: +5V (Stabilized Power Supply Output) Pin 5 - 6: NC Pin 7: Baseline Correction Output Pin 8: Offset Control Voltage Input Pin 9: DGND (Ground f. Digital Control Pin 10 - 25) Pin 10: Digital Control Input: Input Voltage Range Pin 11: Digital Control Input: Baseline Correction Pin 12 - 25: NC																				
Remote Control Operation	<table border="0"> <tr> <td>Input Range Setting</td> <td>Remote control input is opto-isolated and connected by logical OR to local switch setting. For remote control the switch setting, set the local switch to " $\pm 2 V$ " and select the wanted setting via a bit-code at the digital input.</td> </tr> <tr> <td></td> <td> <table border="0"> <tr> <td>Input Range</td> <td>Pin 10</td> </tr> <tr> <td>$\pm 2 V$</td> <td>Low</td> </tr> <tr> <td>$\pm 200 mV$</td> <td>High</td> </tr> </table> </td> </tr> <tr> <td>Baseline Correction</td> <td>The integrated auto-null function can be performed by remote digital control only. The input is opto-isolated by a ultra-fast opto-coupler. Please note the min. pulse width.</td> </tr> <tr> <td></td> <td> <table border="0"> <tr> <td>Function</td> <td>Pin 11</td> </tr> <tr> <td>Hold previous value</td> <td>Low</td> </tr> <tr> <td>Null Output</td> <td>High</td> </tr> </table> </td> </tr> </table>	Input Range Setting	Remote control input is opto-isolated and connected by logical OR to local switch setting. For remote control the switch setting, set the local switch to " $\pm 2 V$ " and select the wanted setting via a bit-code at the digital input.		<table border="0"> <tr> <td>Input Range</td> <td>Pin 10</td> </tr> <tr> <td>$\pm 2 V$</td> <td>Low</td> </tr> <tr> <td>$\pm 200 mV$</td> <td>High</td> </tr> </table>	Input Range	Pin 10	$\pm 2 V$	Low	$\pm 200 mV$	High	Baseline Correction	The integrated auto-null function can be performed by remote digital control only. The input is opto-isolated by a ultra-fast opto-coupler. Please note the min. pulse width.		<table border="0"> <tr> <td>Function</td> <td>Pin 11</td> </tr> <tr> <td>Hold previous value</td> <td>Low</td> </tr> <tr> <td>Null Output</td> <td>High</td> </tr> </table>	Function	Pin 11	Hold previous value	Low	Null Output	High
Input Range Setting	Remote control input is opto-isolated and connected by logical OR to local switch setting. For remote control the switch setting, set the local switch to " $\pm 2 V$ " and select the wanted setting via a bit-code at the digital input.																				
	<table border="0"> <tr> <td>Input Range</td> <td>Pin 10</td> </tr> <tr> <td>$\pm 2 V$</td> <td>Low</td> </tr> <tr> <td>$\pm 200 mV$</td> <td>High</td> </tr> </table>	Input Range	Pin 10	$\pm 2 V$	Low	$\pm 200 mV$	High														
Input Range	Pin 10																				
$\pm 2 V$	Low																				
$\pm 200 mV$	High																				
Baseline Correction	The integrated auto-null function can be performed by remote digital control only. The input is opto-isolated by a ultra-fast opto-coupler. Please note the min. pulse width.																				
	<table border="0"> <tr> <td>Function</td> <td>Pin 11</td> </tr> <tr> <td>Hold previous value</td> <td>Low</td> </tr> <tr> <td>Null Output</td> <td>High</td> </tr> </table>	Function	Pin 11	Hold previous value	Low	Null Output	High														
Function	Pin 11																				
Hold previous value	Low																				
Null Output	High																				

SOPHISTICATED TOOLS FOR SIGNAL RECOVERY



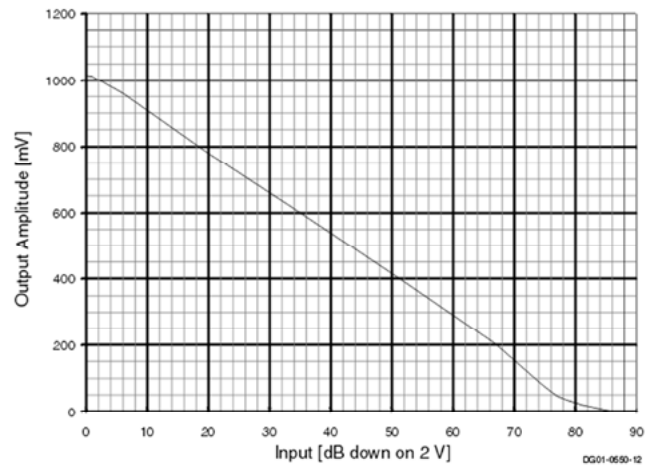
Datasheet

HLVA-100

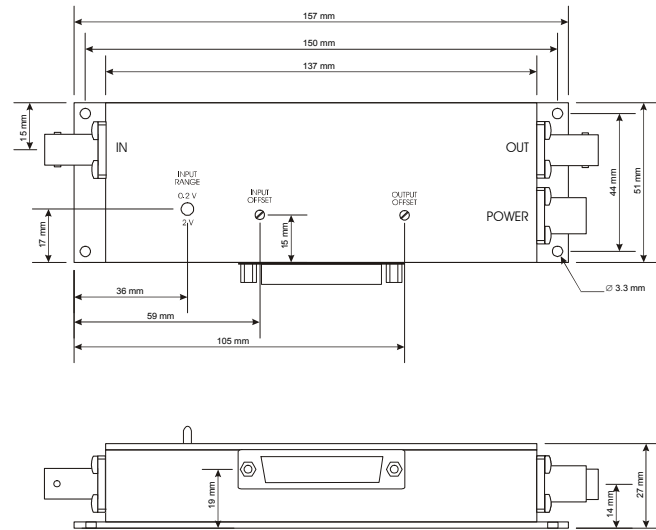
**Logarithmic Wideband
Voltage Amplifier**

Typical Performance
Characteristics

Logarithmic Response (@ ± 2 V Input Range Setting)



Dimensions



Specifications are subject to change without notice. Information furnished herein is believed to be accurate and reliable. However, no responsibility is assumed by FEMTO Messtechnik GmbH for its use, nor for any infringement of patents or other rights granted by implication or otherwise under any patent rights of FEMTO Messtechnik GmbH. Product names mentioned may also be trademarks used here for identification purposes only.
© by FEMTO Messtechnik GmbH
Printed in Germany

SOPHISTICATED TOOLS FOR SIGNAL RECOVERY

