

Optical Fibers for Power Transmission with SMA or D-80 Connector

Since 1995 LASER COMPONENTS assembles optical fibers. Typical applications for such fibers not only include sensor applications and data transmission but also power transmission in lasers. In addition to our freestanding SMA connector we also offer connectors with copper ferrule. Using copper ensures a better heat dissipation and is, therefore, particularly suited for the transmission of high power levels.

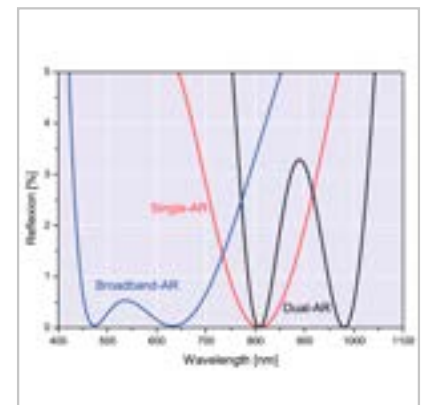
Fiber Specification

Fiber diameter*	400 – 800 μm
Numerical aperture	0.22
Wavelength*	400 – 1200 nm



Cable Specification

Cable type	metal tube OD 5.6 mm with PVC
Color	red
Electrical isolation connector / cable	yes
Cable length*	1 – 15 m



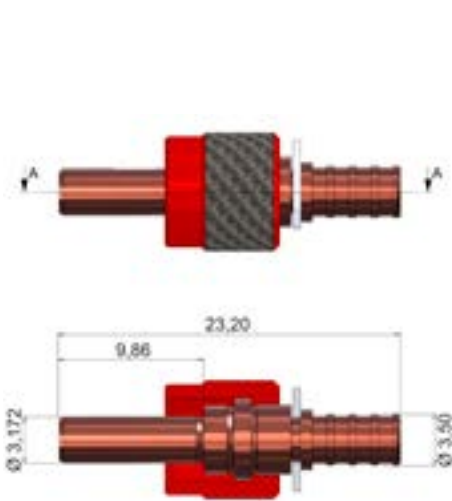
AR Coating

Reflection*	0.3% - 0.1%
Wavelength*	400 – 1200 nm

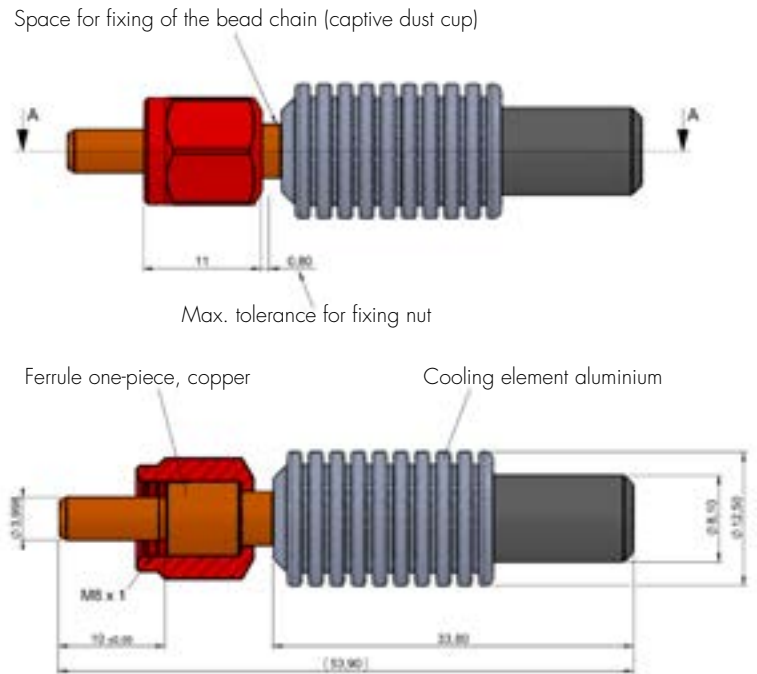
Connector Specification

Type*	SMA or D-80
Ferrule	copper
Eccentricity / ferrule	10 – 20 µm (depending on fiber type)

*Please specify



FSMA-High-Power



D-80 High-Power (LD-80 compatible)