

MODULATOR

MPX and MPZ series

Low frequencies to 40 GHz Phase Modulators

The MPX-LN and MPZ-LN series make up the most comprehensive range of electro-optic phase modulators available on the market for the 1550 nm wavelength band.

- The MPZ-LN series are ideally suited for wide bandwidth operation to 40 GHz. Dedicated modulators bandwidths are proposed for an efficient electrical to optical conversion.
- The MPX-LN-0.1 has a high impedance input optimized for modulation frequencies up to 300 MHz.

Designed using state-of-the-art and proven lithium niobate technology,

MPX-LN and MPZ-LN phase modulators are easy to operate and to integrate.

These modulators come with a comprehensive range of options (DC Coupled, Low Insertion Loss, POLarizer, High Electronical Power) to offer the highest performance for a wide range of applications from laboratory experiments to demanding industrial systems..



FEATURES

- Low and wide EO bandwidth
- C & L bands
- Low V_{π}
- Low insertion loss

APPLICATIONS

- Side bands generation
- Laser Combining
- Interferometric sensing
- Frequency shifting / broadening
- Quantum Key Distribution (QKD)
- Pound-Drever-Hall locking (PDH)
- High data rate telecommunications

OPTIONS

- DC coupled
- Low residual intensity modulation
- Low insertion loss
- High electrical input power capability

RELATED EQUIPMENTS

- Matched RF amplifiers
- MX, MXAN, MXER intensity modulators
- Short optical pulse ModBox

Low and Medium Bandwidth Phase Modulators Highlights*

Parameter	MPX-LN-0.1	MPZ-LN-01
Operating wavelength	1530 nm - 1625 nm	
Usable Electro-optical bandwidth	300 MHz	3 GHz
V_{π} RF @50 kHz	3.5 V	3 V
Insertion loss	2.7 dB	2.5 dB

*Specifications given at 25 °C, 1550 nm

Wide Bandwidth Phase Modulators Highlights*

Parameter	MPZ-LN-10	MPZ-LN-20	MPZ-LN-40
Operating wavelength	1530 nm - 1625 nm		
Usable electro-optical bandwidth	16 GHz	30 GHz	40 GHz
V_{π} RF @50 kHz	4 V	4.5 V	6 V
Insertion loss	2.5 dB	2.5 dB	2.5 dB

*Specifications given at 25 °C, 1550 nm

MODULATOR | MPX AND MPZ LN SERIES | 2/7

MPX-LN-0.1

Up to 300 MHz Phase Modulator

Electrical Characteristics

Parameter	Symbol	Condition	Min	Typ	Max	Unit
Electro-optical bandwidth	S_{21}	-	-	150	-	MHz
Usable electro-optical bandwidth	S_{21}	-	-	300	-	MHz
V_{π} RF @50 kHz	$V_{\pi_{RF\ 50\ kHz}}$	-	-	3.5	4	V
RF Input Impedance	Z_{in-RF}	-	-	10 000	-	Ω

Optical Characteristics

Parameter	Symbol	Condition	Min	Typ	Max	Unit
Crystal	-	-	Lithium Niobate X-Cut Y-Prop			
Waveguide process	-	-	Ti diffusion			
Operating wavelength	λ	-	1530	1550	1625	nm
Insertion loss	IL	Without optical connectors	-	2.7	3.5	dB
Polarization dependent loss	PDL	-	-	5	8	dB
Optical return loss	ORL	-	-40	-45	-	dB

All specifications given at 25 °C, 1550 nm, unless differently specified.

Absolute Maximum Ratings

Stresses in excess of the absolute maximum ratings can cause permanent damage to the device. These are absolute stress ratings only. Functional operation of the device is not implied at these or any other conditions in excess of those given in the operational sections of the data sheet. Exposure to absolute maximum ratings for extended periods can adversely affect device reliability.

Parameter	Symbol	Min	Max	Unit
Modulation voltage range	EV_{in}	-20	20	V
Optical input power	OP_{in}	-	20	dBm
Operating temperature	OT	0	+70	°C
Storage temperature	ST	-40	+85	°C

MODULATOR | **MPX AND MPZ LN SERIES** | 3/7**MPZ-LN-01**

Up to 3 GHz Phase Modulator

Electrical Characteristics

Parameter	Symbol	Condition	Min	Typ	Max	Unit
Electro-optical bandwidth	S_{21}	-	1	1.5	-	GHz
Usable electro-optical bandwidth	S_{21}	-	-	3	-	GHz
Ripple S_{21}	ΔS_{21}	-	-	0.5	-	dB
Electrical return loss	S_{11}	-	-	-15	-12	dB
V_{π} RF @50 kHz	$V_{\pi_{RF\ 50\ kHz}}$	-	-	3	3.5	V
V_{π} RF @1 GHz / 3 GHz	$V_{\pi_{RF\ 1\ GHz}}$	-	-	3.1 / 4.5	-	V
RF port impedance matching	Z_{in-RF}	-	-	50	-	Ω
V_{π} DC electrodes	$V_{\pi_{DC}}$	DCC option, housing #B	-	3	6	V
DC port impedance matching	Z_{in-DC}	DCC option, housing #B	1	-	-	M Ω

Optical Characteristics

Parameter	Symbol	Condition	Min	Typ	Max	Unit
Crystal	-	-	Lithium Niobate Z-Cut X-Prop			
Waveguide process	-	-	Ti diffusion			
Operating wavelength	λ	-	1530	1550	1625	nm
Insertion loss	IL	Without optical connectors	-	2.5	3.5	dB
Optical return loss	ORL	-	-40	-45	-	dB

All specifications given at 25 °C, 1550 nm, unless differently specified.

Absolute Maximum Ratings

Stresses in excess of the absolute maximum ratings can cause permanent damage to the device. These are absolute stress ratings only. Functional operation of the device is not implied at these or any other conditions in excess of those given in the operational sections of the data sheet. Exposure to absolute maximum ratings for extended periods can adversely affect device reliability.

Parameter	Symbol	Condition	Min	Max	Unit
RF input power	EP_{in}	-	-	28	dBm
High electrical input power option	HEP_{in}	-	-	33	dBm
Optical input power	OP_{in}	-	-	20	dBm
Bias Voltage	V_{DC}	DCC option, housing #B	-15	+15	V
Operating temperature	OT	-	0	+70	°C
Storage temperature	ST	-	-40	+85	°C

MODULATOR | MPX AND MPZ LN SERIES | 4/7

MPZ-LN-10

Up to 16 GHz Phase Modulator

Electrical Characteristics

Parameter	Symbol	Condition	Min	Typ	Max	Unit
Electro-optical bandwidth	S_{21}	-	10	12	-	GHz
Usable electro-optical bandwidth	S_{21}	-	-	16	-	GHz
Ripple S_{21}	ΔS_{21}	-	-	0.5	1	dB
Electrical return loss	S_{11}	-	-	-17	-14	dB
		HEP option	-	-14	-10	dB
V_{π} RF @50 kHz	$V_{\pi_{RF\ 50\ kHz}}$	-	-	4	5	V
V_{π} RF @10 GHz / 16 GHz	$V_{\pi_{RF\ 10\ GHz/16\ GHz}}$	-	-	6 / 9	-	V
RF impedance matching	Z_{in-RF}	-	-	50	-	Ω
V_{π} DC electrodes	$V_{\pi_{DC}}$	DCC option, housing #B	-	4	7	V
DC port impedance matching	Z_{in-DC}	DCC option, housing #B	1	-	-	M Ω

Optical Characteristics

Parameter	Symbol	Condition	Min	Typ	Max	Unit
Crystal	-	-	Lithium Niobate Z-Cut Y-Prop			
Waveguide process	-	-	Ti diffusion			
Operating wavelength	λ	-	1530	1550	1625	nm
Insertion loss	IL	Without optical connectors	-	2.5	3.5	dB
Low insertion loss option	LIL	Without optical connectors	-	2	2.5	dB
Optical return loss	ORL	-	-40	-45	-	dB

All specifications given at 25 °C, 1550 nm, unless differently specified.

Absolute Maximum Ratings

Stresses in excess of the absolute maximum ratings can cause permanent damage to the device. These are absolute stress ratings only. Functional operation of the device is not implied at these or any other conditions in excess of those given in the operational sections of the data sheet. Exposure to absolute maximum ratings for extended periods can adversely affect device reliability.

Parameter	Symbol	Condition	Min	Max	Unit
RF input power	EP_{in}	-	-	28	dBm
High electrical input power option	HEP_{in}	-	-	33	dBm
Optical input power	OP_{in}	-	-	20	dBm
Bias Voltage	V_{DCC}	DCC option, housing #B	-15	+15	V
Operating temperature	OT	-	0	+70	°C
Storage temperature	ST	-	-40	+85	°C

MODULATOR | MPX AND MPZ LN SERIES | 5/7

MPZ-LN-20

Up to 30 GHz Phase Modulator

Electrical Characteristics

Parameter	Symbol	Condition	Min	Typ	Max	Unit
Electro-optical bandwidth	S_{21}	RF electrodes, from 2 GHz	20	25	-	GHz
Usable electro-optical bandwidth	S_{21}	RF electrodes, from 2 GHz	-	30	-	GHz
Ripple S_{21}	ΔS_{21}	-	-	0.5	1	dB
Electrical return loss	S_{11}	-	-	-12	-10	dB
V_{π} RF @50 kHz	$V_{\pi_{RF 50 kHz}}$	-	-	4.5	5.5	V
V_{π} RF @20 GHz / 30 GHz	$V_{\pi_{RF 20 GHz / 30 GHz}}$	-	-	6.5 / 10	-	V

Optical Characteristics

Parameter	Symbol	Condition	Min	Typ	Max	Unit
Crystal	-	-	Lithium Niobate Z-Cut Y-Prop			
Waveguide process	-	-	Ti diffusion			
Operating wavelength	λ	-	1530	1550	1625	nm
Insertion loss	IL	Without optical connectors	-	2.5	3	dB
Optical return loss	ORL	-	-40	-45	-	dB

All specifications given at 25 °C, 1550 nm, unless differently specified.

Absolute Maximum Ratings

Stresses in excess of the absolute maximum ratings can cause permanent damage to the device. These are absolute stress ratings only. Functional operation of the device is not implied at these or any other conditions in excess of those given in the operational sections of the data sheet. Exposure to absolute maximum ratings for extended periods can adversely affect device reliability.

Parameter	Symbol	Min	Max	Unit
RF input power	EP_{in}	-	28	dBm
Optical input power	OP_{in}	-	20	dBm
Operating temperature	OT	0	+70	°C
Storage temperature	ST	-40	+85	°C

MODULATOR | MPX AND MPZ LN SERIES | 6/7

MPZ-LN-40

Up to 40 GHz Phase Modulator

Electrical Characteristics

Parameter	Symbol	Condition	Min	Typ	Max	Unit
Electro-optical bandwidth	S_{21}	RF electrodes, from 2 GHz	30	33	-	GHz
Usable electro-optical bandwidth	S_{21}	RF electrodes, from 2 GHz	-	40	-	GHz
Ripple S_{21}	ΔS_{21}	-	-	0.5	1	dB
Electrical return loss	S_{11}	-	-	-12	-9	dB
V_{π} RF @50 kHz	$V_{\pi_{RF\ 50\ kHz}}$	-	-	6	7	V
V_{π} RF @30 GHz	$V_{\pi_{RF\ 30\ GHz}}$	-	-	8.5	-	V
Impedance matching	Z_{in-RF}	-	-	50	-	Ω

Optical Characteristics

Parameter	Symbol	Condition	Min	Typ	Max	Unit
Crystal	-	-	Lithium Niobate Z-Cut Y-Prop			
Waveguide process	-	-	Ti diffusion			
Operating wavelength	λ	-	1530	1550	1625	nm
Insertion loss	IL	Without optical connectors	-	2.5	3	dB
Optical return loss	ORL	-	-40	-45	-	dB

All specifications given at 25 °C, 1550 nm, unless differently specified.

Absolute Maximum Ratings

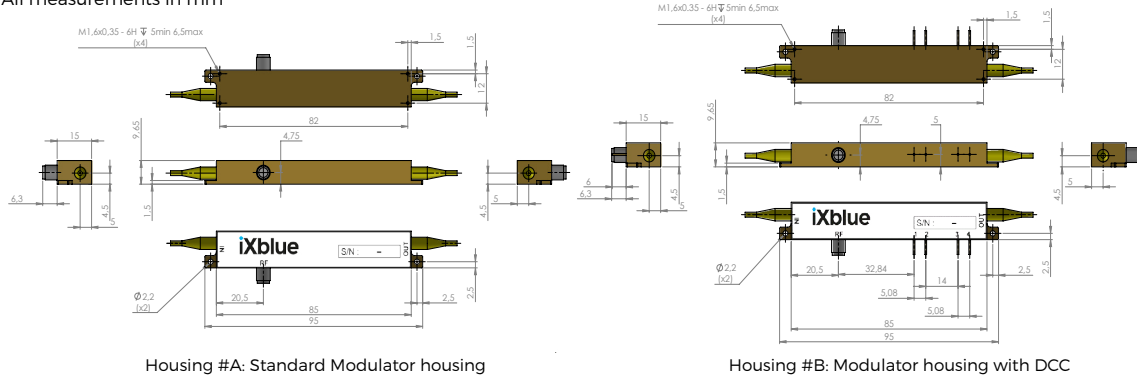
Stresses in excess of the absolute maximum ratings can cause permanent damage to the device. These are absolute stress ratings only. Functional operation of the device is not implied at these or any other conditions in excess of those given in the operational sections of the data sheet. Exposure to absolute maximum ratings for extended periods can adversely affect device reliability.

Parameter	Symbol	Min	Max	Unit
RF input power	EP_{in}	-	28	dBm
Optical input power	OP_{in}	-	20	dBm
Operating temperature	OT	0	+70	°C
Storage temperature	ST	-40	+85	°C

MODULATOR | MPX AND MPZ LN SERIES | 7/7

Mechanical Diagram and Pinout

All measurements in mm

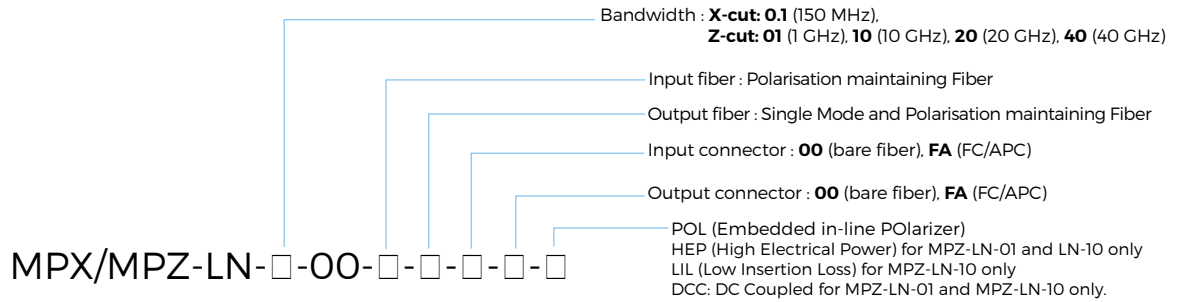


Housing #A: Standard Modulator housing

Housing #B: Modulator housing with DCC

Port	Function	Note
IN	Optical input port	Polarization maintaining fiber 1550 nm Corning PM 15-U25D Length: 1.5 meter, buffer diameter: 900 μ m
OUT	Optical output port	Polarization maintaining fiber 1550 nm, Corning PM 15-U25D Length: 1.5 meter, Buffer diameter: 900 μ m
RF	RF input port	Female K (SMA compatible) MPZ-LN-40: female 2.4 mm, compatible to mate with V / 1.85mm
PINS 1 / 2	Ground / DC	Pin feed through diameter 1.0 mm
PINS 3 / 4	Not connected / Not connected	Pin feed through diameter 1.0 mm

Ordering information



About us

iXblue Photonics produces specialty optical fibers and Bragg gratings based fiber optics components and provides optical modulation solutions based on the company lithium niobate (LiNbO₃) modulators and RF electronic modules. iXblue Photonics serves a wide range of industries: sensing and instruments, defense, telecommunications, space and fiber lasers as well as research laboratories all over the world.

iXblue reserves the right to change, at any time and without notice, the specifications, design, function or form of its products described herein. All statements, specification, technical information related to the products herein are given in good faith and based upon information believed to be reliable and accurate at the moment of printing. However the accuracy and completeness thereof is not guaranteed. No liability is assumed for any inaccuracies and as a result of use of the products. The user must validate all parameters for each application before use and he assumes all risks in connection with the use of the products.

11_2022_ED15 / SP-0128-PR-02 / SP-0104-PR-03 / SP-0018-PR-07 / SP-0017-PR-04 / SP-0032-PR-06