

MXER1300-LN-10-PD-P-P-FA-FA-30dB

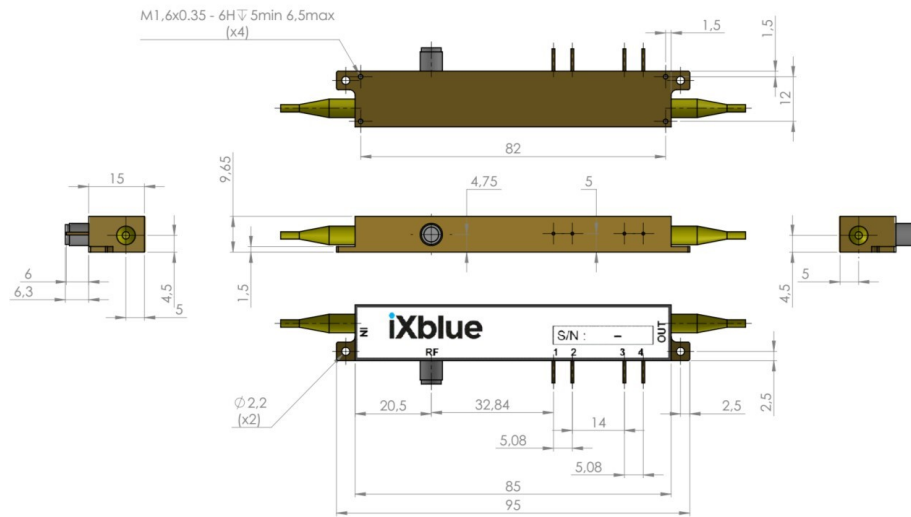
All specifications given at 25°C, 1310 nm. As per internal specifications SP-0237-PR-01.

ELECTRICAL				
		Min	Typ	Max
Electro-optic bandwidth S_{21} @-3 dB (from 2 GHz)	GHz	10	12	-
Electrical return loss S_{11} 0 - 10 GHz	dB	-	-15	-10
V_{π} RF electrodes @ 50 kHz	V	-	4	5
V_{π} RF electrodes @ 10 GHz	V	-	5.5	6.5
V_{π} DC electrodes	V	-	5.5	6
Ripple S_{21}	dB	-	0.5	1
RF port impedance matching	Ω	-	50	-
DC port input resistance	M Ω	1	-	-
OPTICAL				
Operating wavelength	nm	1260	1310	1350
Insertion loss (without connector) ⁽¹⁾	dB	-	3.5	4.5
DC Extinction ratio (measured with narrow source, linewidth \leq 200 MHz)	dB	26	30	-
Optical return loss	dB	-40	-45	-
Chirp	-	-0.1	-	+0.1
INTERFACES				
Input and output fibers	Polarization maintaining 1310 nm, Corning PM13-U25D length: 1.5 meter, buffer diameter: 900 μ m			
Package size	85 x 15 x 9.65 mm ³			
Input RF connector	Female K			
DC electrodes and PD connectors	Pins			
Optical connector	Input	FC/APC (slow axis parallel to the key)		
	Output			
ENVIRONMENTAL				
Operating temperature	0 °C to +70 °C			
Storage temperature	-40 °C to +85 °C			
MAXIMUM RATINGS				
Maximum RF input power (CW mode)	+28 dBm			
Bias voltage range	V	-20	-	20
Maximum optical input power recommended to keep optimal performance (CW mode)	+12 dBm			
Optical damage threshold (CW mode)	+20 dBm			

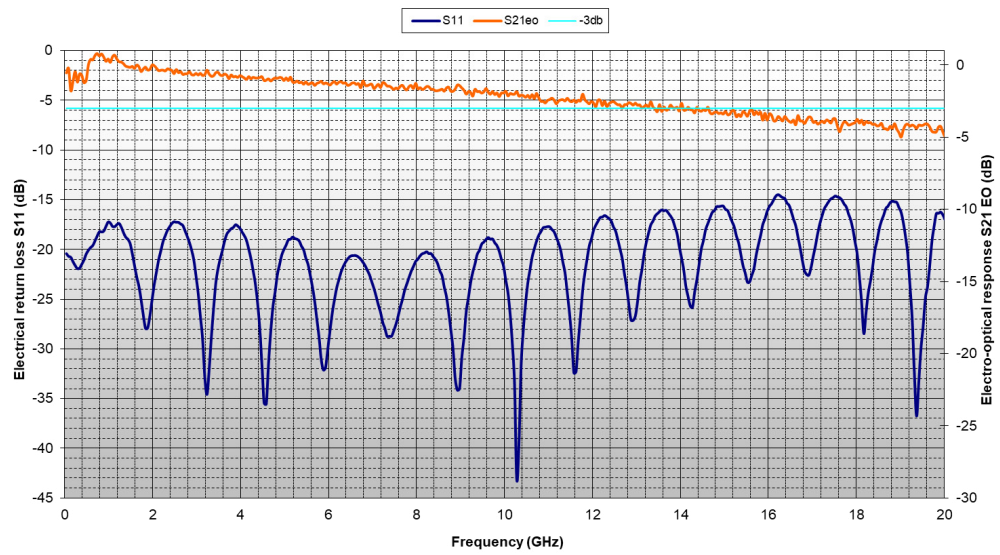
(1): Consider an extra-loss up to 0.25 dB for each FC/APC optical connector.

Société par Actions Simplifiée au capital de 11 442 897 €
R.C.S. Versailles 433 185 121 - SIRET 433 185 121 00137
Code APE 2651B - N° TVA Intra. FR 09 433 185 121

Mechanical drawing



Electro-optic bandwidth S21 / S11



Société par Actions Simplifiée au capital de 11 442 897 €
 R.C.S. Versailles 433 185 121 - SIRET 433 185 121 00137
 Code APE 2651B - N° TVA Intra. FR 09 433 185 121