

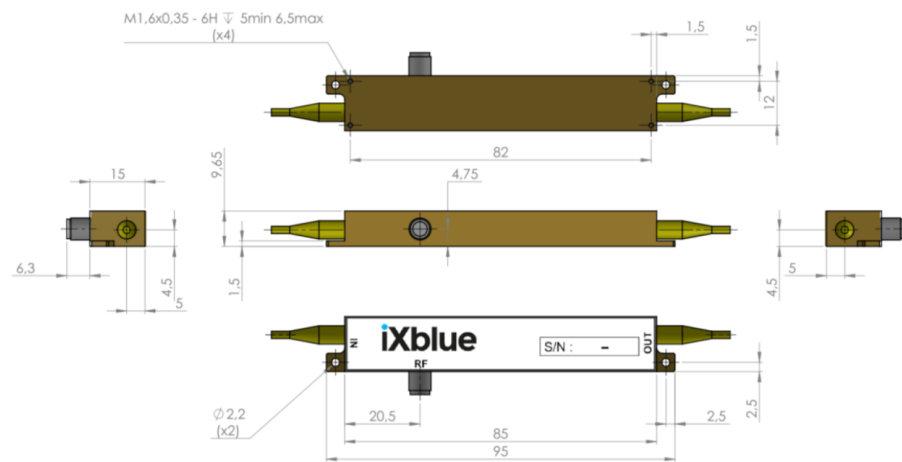
MPZ-LN-10-00-P-P-FA-FA-OBand Extended

All specifications given at 25°C, 1550 nm, unless differently specified. As per internal specifications SP-0234-PR-02.

ELECTRICAL				
		Min	Typ	Max
Electro-optic bandwidth S_{21} @-3 dB (from 2 GHz)	GHz	10	12	-
Electrical return loss S_{11} 0 - 10 GHz	dB	-	-17	-13
V_{π} RF electrodes @ 50 kHz @1550 nm	V	-	4	5
V_{π} RF electrodes @ 10 GHz @1550 nm	V	-	6	7
V_{π} RF electrodes @ 50 kHz @1310 nm	V	-	3.3	4
V_{π} RF electrodes @ 10 GHz @1310 nm	V	-	4.5	5.5
Ripple S_{21}	dB	-	0.5	1
RF port impedance matching	Ω	-	50	-
OPTICAL				
Operating wavelength	nm	1310	-	1580
Insertion loss (without connector) @1550 nm	dB	-	2.5	3.5
Insertion loss (without connector) @1310 nm	dB	-	3	4.5
Optical return loss	dB	-40	-45	-
INTERFACES				
Input and output fibers	Polarization maintaining 1550 nm Corning PM 15-U25D length: 1.5 meter, buffer diameter: 900 μ m			
Package size	85 x 15 x 9.65 mm ³			
Input RF connector	Female K			
DC electrodes and PD connectors	Pins			
Optical connector	Input	FC/APC (slow axis parallel to the key)		
	Output			
ENVIRONMENTAL				
Operating temperature	0 °C to +70 °C			
Storage temperature	-40 °C to +85 °C			
MAXIMUM RATINGS				
Maximum RF input power (CW mode)	+28 dBm			
Maximum optical input power (CW mode)	+20 dBm			

Société par Actions Simplifiée au capital de 11 442 897 €
R.C.S. Versailles 433 185 121 - SIRET 433 185 121 00137
Code APE 2651B - N° TVA Intra. FR 09 433 185 121

Mechanical drawing



Société par Actions Simplifiée au capital de 11 442 897 €
R.C.S. Versailles 433 185 121 - SIRET 433 185 121 00137
Code APE 2651B - N° TVA Intra. FR 09 433 185 121