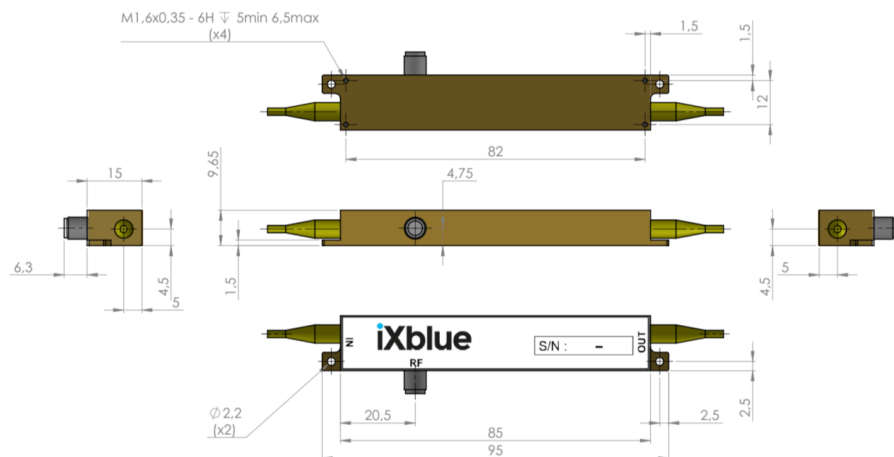


MPX1300-LN-0.1-00-P-P-FA-FA

All specifications given at 25 °C, 1310 nm, unless differently specified. From SP-0229-PR-01.

ELECTRICAL				
		Min	Typ	Max
Electro-optic bandwidth S ₂₁	MHz	-	150	-
V _π RF electrodes @ 50 kHz	V	-	3	3.5
RF port impedance matching	Ω	-	10 000	-
OPTICAL				
Crystal	Lithium Niobate X-Cut Y-Prop			
Operating wavelength	nm	1270	1300	1360
Insertion loss (without connector) ⁽¹⁾	dB	-	3	4
Optical return loss	dB	-40	-45	-
INTERFACES				
Input / output fibers	Polarization maintaining 1310 nm, Corning PM13-U25D length: 1.5 m, buffer diameter: 900 μm			
Package size	85 x 15 x 9.65 mm ³			
Input RF connector	Female K			
Input / output optical connectors	FC/APC			
ENVIRONMENTAL				
Operating temperature	0 °C to +70 °C			
Storage temperature	-40 °C to +85 °C			
MAXIMUM RATINGS				
Maximum RF input power (CW mode)	28 dBm			
Maximum optical input power (CW mode)	+20 dBm			

(1) Consider an extra-loss up to 0.25 dB for each FC/APC optical connector.



02-2021 / MPX1300-LN-0.1 PRELIMINARY / SP-0229-PR-01

Société par Actions Simplifiée au capital de 11 366 319 €
R.C.S. Versailles 433 185 121 - SIRET 433 185 121 00137
Code APE 2651B - N° TVA Intra. FR 09 433 185 121