

Green Line Laser LC-LML-515-01-03-TM-C

Ø 11.5 mm, 515 nm Laser Line Generator

Features

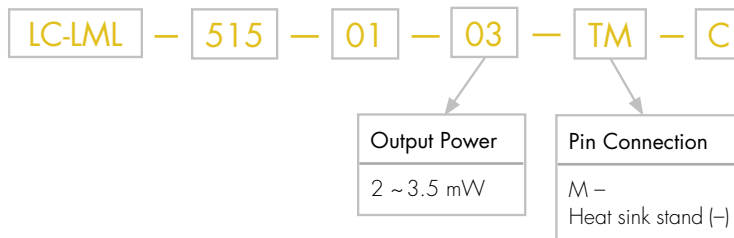
1. APC (auto power control) IC inside
2. Glass Lens
3. High brightness
4. Better line quality

Application

1. Industrial laser line marks
2. Measuring instruments
3. Laser leveling



Part No. Indications



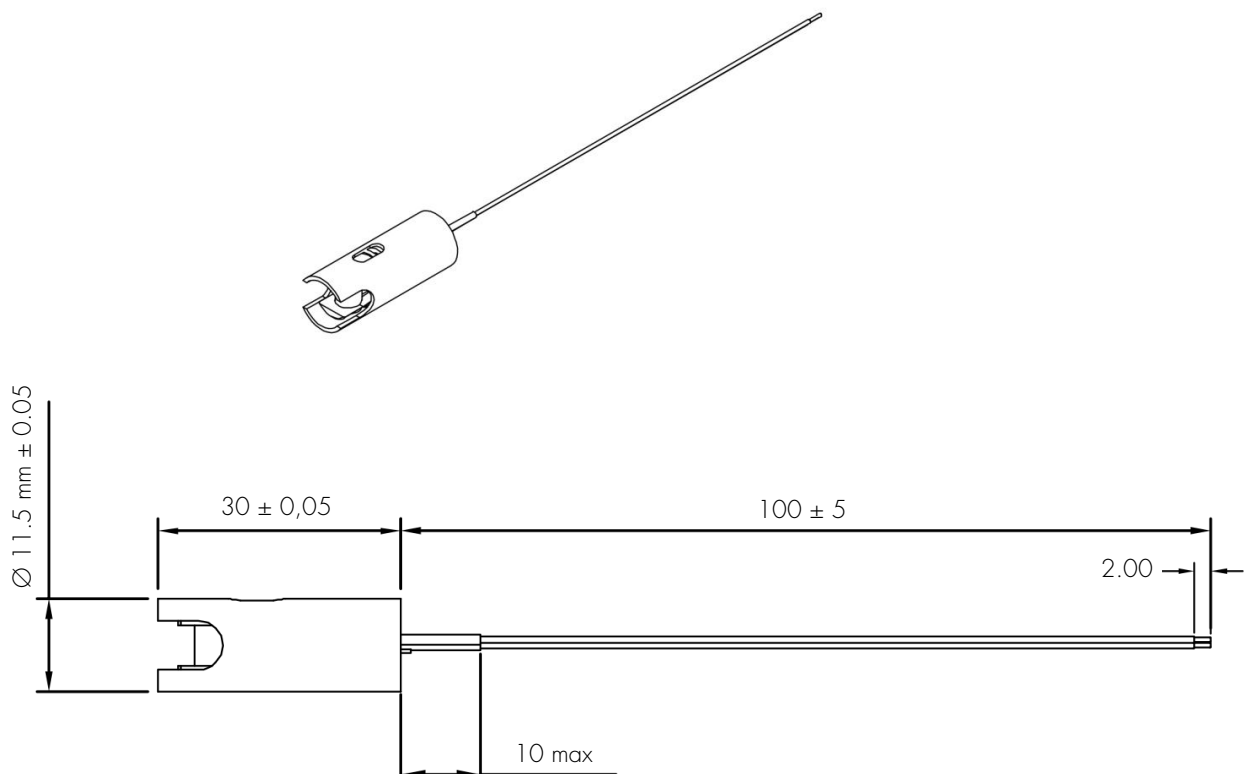
Absolute Maximum Ratings

| Item | Symbol | Rating | Unit |
|----------------------------|-----------|----------|------|
| Power supply voltage | V_{CC} | 7 | V |
| Laser optical output power | P_o | 4 | mW |
| Operation temperature | T_{opr} | -5 ~ 50 | °C |
| Storage temperature | T_{stg} | -40 ~ 75 | °C |

Electrical and Optical Characteristics ($T_C = 25\text{ }^\circ\text{C}$)

| Item | Symbol | Min. | Typ. | Max | Unit | Condition |
|-------------------|-----------|------|------|---------------|------|--|
| Wavelength | λ | 510 | 520 | 530 | nm | $P_o < 3\text{ mW}$ |
| Output power | mW | 2 | - | 3.5 | mW | $V_{cc} = 6\text{ V}$ |
| Operation current | I_{op} | - | - | 100 | mA | $P_o = 3\text{ mW}$ $V_{cc} = 6\text{ V}$ |
| Operation voltage | V_{op} | - | 6 | 6.5 | Volt | |
| Emitting angle | | | | $> 120^\circ$ | | |

Outline Dimensions (Units: mm)



Red wire: V_{cc}
Black wire: GND

Laser Safety Precautions

1. Do not look into the laser beam directly by eyes. The laser beam may cause severe damage to human eyes.
2. Optical Lens is made of glass. Do not contaminate lens by soiling, oil or chemical.