

100 kHz Repetition Rate NanoSpeed™ Switch Driver

(1x1, 1x2, 2x1 Standard Single Stage)

(Protected by U.S. patent 7,403,677B1 and pending patents)

DATASHEET



The NS switch driver provides a convenient way to use the NS series electro-optical switches, which act as a pure capacitive load. Each driver is tuned to a specific device mounted on the PCB. To operate, the customer only needs to plug in the accompanying DC power supply and input a control signal through the golden SMA connector. The switch will be activated as the input voltage exceeds 3V with less than 1µA draw, compatible with 3.3V CMOS/TTL. We produce boards to control multiple NS switches with individual SMA connectors. No computer-based control software is available for such a high-speed operation.

Features

- High speed
- High repetition
- High output voltage
- Wide input voltage range
- TTL/CMOS control
- Push-Pull output design
- Low power consumption
- Compact and low cost

Specifications

Parameter	Min	Typical	Max	Unit
Rise Time (Tr) ^[1]		85	100	ns
Fall Time (Tf) ^[2]		85	100	ns
Repetition Rate	DC		100	kHz
Pulse Width	1.0			µs
Control Input (TTL pulse)	0		5	V
Power Consumption			5	W
Power Current	0.08		0.4	A
Power Supply		12		V
Operating Temperature	-5		70	°C
Storage Temperature	-40		80	°C
Electrical Connector	SMA			
Board Size	3.5(L)x1.25(W)			Inch

Note:

[1] Optic Intensity Change from 10% to 90% intuits;

[2] Optic Intensity Change from 90% to 10% intuits;

[3] Switch Speed (Rise): Duration from begin of electronic signal to end of optic intensity change;

[4] Switch Speed (Fall): Duration from begin of electronic signal to end of optic intensity change.

Warning: Control Signal >5.5V Will Damage the Board

Applications

- Optical Switch
- EO device driver

Legal notices: All product information is believed to be accurate and is subject to change without notice. Information contained herein shall legally bind Agiltron only if it is specifically incorporated into the terms and conditions of a sales agreement. Some specific combinations of options may not be available. The user assumes all risks and liability whatsoever in connection with the use of a product or its application.

Rev 04/04/23

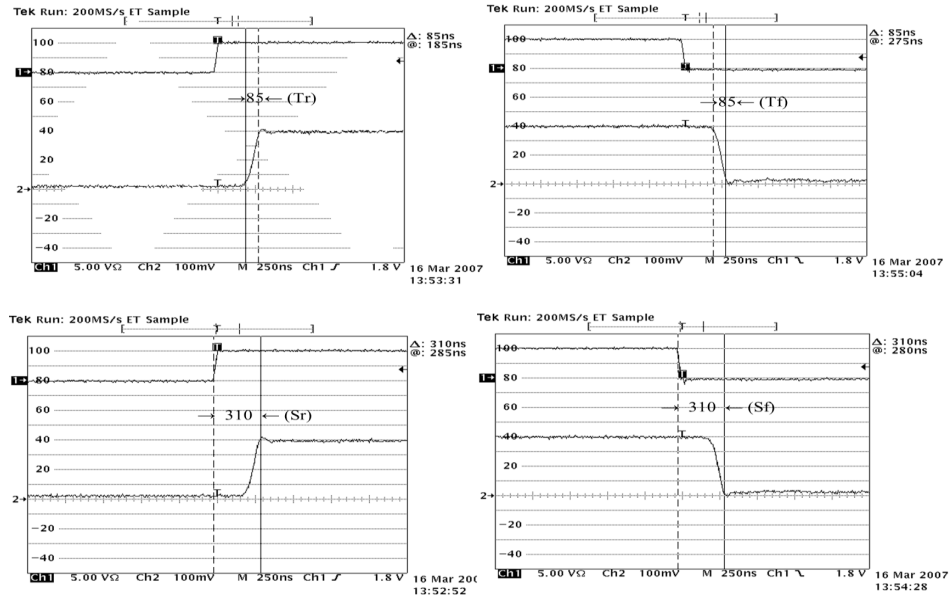
© Photonwares Corporation

Information contained herein is deemed to be reliable and accurate as of the issue date. Photonwares reserves the right to change the design or specifications at any time without notice. Agiltron is a registered trademark of Photonwares Corporation in the U.S. and other countries.

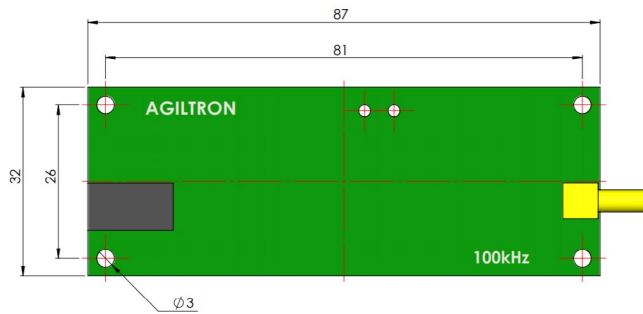
100 kHz Repetition Rate NanoSpeed™ Switch Driver (1x1, 1x2, 2x1 Standard Single Stage)

DATASHEET

Response Measurement



Dimensions (mm)



*Product dimensions may change without notice. This is sometimes required for non-standard specifications.

© Photonwares Corporation

Information contained herein is deemed to be reliable and accurate as of the issue date. Photonwares reserves the right to change the design or specifications at any time without notice. Agiltron is a registered trademark of Photonwares Corporation in the U.S. and other countries.

06/23 / V2 / CHIF / diverse-fiber-optics/passive-components/ns-20high-repetition-switch-driver

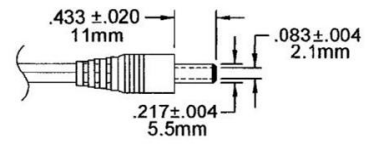
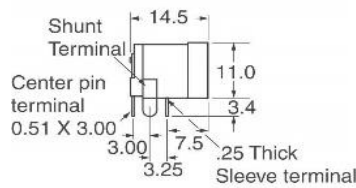
100 kHz Repetition Rate NanoSpeed™ Switch Driver (1x1, 1x2, 2x1 Standard Single Stage)

DATASHEET

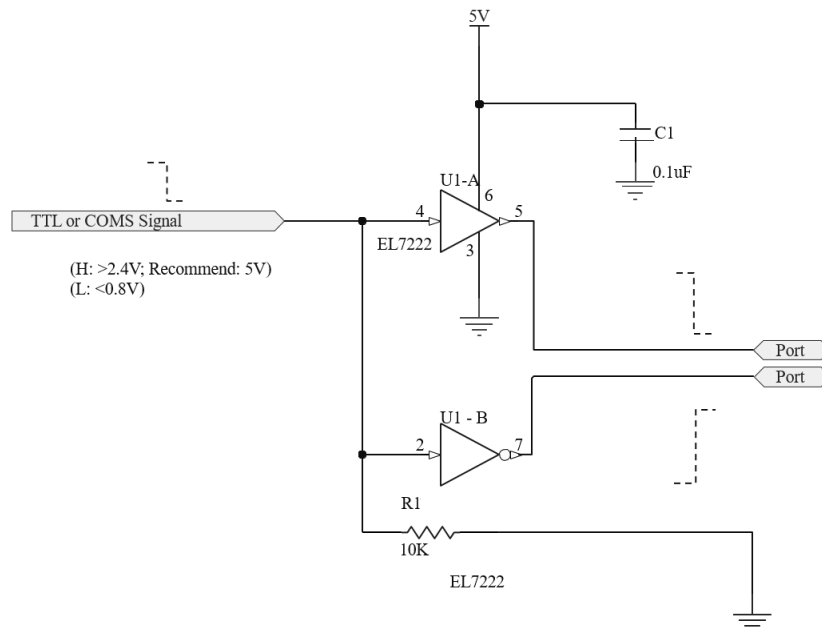
Power Connector

P/N: SC1313-ND
Power Barrel Connector Jack 2.00mm ID (0.079"),
5.50mm OD (0.217") Through Hole, Right Angle

12V Wall Plug DC Power Supply Interface



TTL Driver Interface (Our Circuit Diagram)



© Photonwares Corporation

Information contained herein is deemed to be reliable and accurate as of the issue date. Photonwares reserves the right to change the design or specifications at any time without notice. Agiltron is a registered trademark of Photonwares Corporation in the U.S. and other countries.

06/23 / V2 / CHIF / diverse-fiber-optics/passive-components/ns-20high-repetition-switch-driver

100 kHz Repetition Rate NanoSpeed™ Switch Driver

(1x1, 1x2, 2x1 Standard Single Stage)

DATASHEET

Ordering Information

Prefix	Type	Configuration ^[1]	Latching	Repeat rate	Footprint	Control Mode	DC supply
SWDR-	Standard Single Stage = 1	1x1 = 1a 1x2, 2x1 = 2a 1x4, 4x1 = 4a ... 1xN, Nx1 = Na Special=00	Non = 2	100kHz = 6	Standard = 1 Special = 0	TTL = 1 Special = 0	12VDC = 1 Special = 0

[1]: Configuration Rule
1xN, Nx1 = Na
MxN = MN

NOTE:

- This driver is intended mounted with specific switches, tuned, and tested prior to shipping. It is not designed to be sold separately.

Operation Manual

1. Connect a control signal to the SMA connector on the PCB.
2. Attach the accompanied power supply (typically a wall-pluggable unit).
3. The device should then function properly.

Note: Do not alter device factory settings.

© Photonwares Corporation

Information contained herein is deemed to be reliable and accurate as of the issue date. Photonwares reserves the right to change the design or specifications at any time without notice. Agiltron is a registered trademark of Photonwares Corporation in the U.S. and other countries.