

TECHNICAL SPECIFICATIONS

Emitter customization code

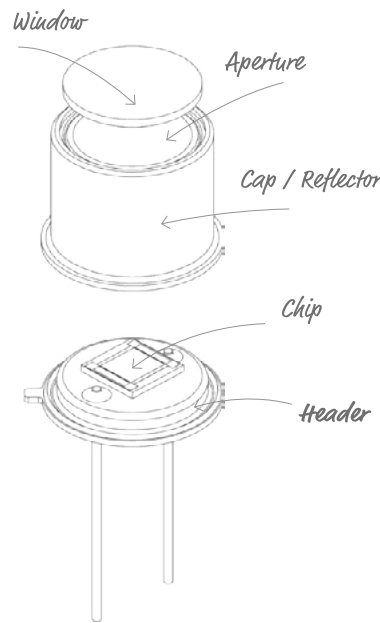
Thin film radiation sources

With this numerical code you can easily choose the right combination of source parts according to your application demands.

JSIRAAA-B-CC-D-EEE-F-GG-III

For example

JSIR350-4-AL-C-D3.7-1-A7-I-AO



Thin film radiation source

TECHNICAL SPECIFICATIONS • Emitter customization code | © Micro-Hybrid-Electronic GmbH | 2020-04

JSIRAAA-B-

JSIR350-4-AL-C-D3.7-1-A7-I-AO

Thin film radiation source with chip type

- JSIR 350-4 – NAC active area 2.2 x 2.2 mm²
- JSIR 350-5 – NAC active area 0.65 x 0.65 mm²
- JSIR 360-4 – Black-silicon active area 2.2 x 2.2 mm²

CC-

JSIR350-4-AL-C-D3.7-1-A7-I-AO

Header

- AL – T039 (symmetric pin layout)
- AI – T039 (assymetric pin layout)
- BL – T046 (for chip type 5)
- CB – SMD housing (for chip type 4)
- CS – SMD housing (for chip type 5)
- DL – T0 8
- XX – Customized housing or packaging

D-

JSIR350-4-AL-C-D3.7-1-A7-I-AO

Cap

- C – Cap
- R – Reflector
- 0 – Without cap / reflector or SMD

EEE-

JSIR350-4-AL-C-D3.7-1-A7-I-AO

Aperture / cap / reflector type

- S5.0 – Square 5 x 5 mm² (only with body CB)
- S2.8 – Square 2.8 x 2.8 mm² (only with body CS)
- D2.4 – Diameter 2.4 mm (only with body BL)
- D2.5 – Diameter 2.5 mm (only with body BL)
- D3.6 – Diameter 3.6 mm (only with reflector BL)
- D3.7 – Diameter 3.7 mm (only with body AL)
- D5.8 – Diameter 5.8 mm (only with body AL)
- D6.0 – Diameter 6 mm (only with reflector AL)
- CX – Customized type
- 0 – Without cap / reflector

F-

JSIR350-4-AL-C-D3.7-1-A7-I-AO

Filling gas

- 1 – Nitrogen (N₂)
- 2 – Krypton (Kr)
- X – Customized filling gas
- 0 – Open

GG-

JSIR350-4-AL-C-D3.7-1-A7-I-AO

Window

- A1 – Sapphire (Al₂O₃)
- A2 – Calcium fluoride (CaF₂)
- A4 – Barium fluoride (BaF₂)
- A7 – Silicon ARC 2.5–15.5
- XX – Customized window
- 0 – Without

III

JSIR350-4-AL-C-D3.7-1-A7-I-AO

Options

- I – HermeSEAL® (only with window A1 or A7)
- AO – Cap and add-on reflector

All rights reserved. All specifications – technical included – are subject to change without notice. No liability is accepted for any consequential losses, injury or damage resulting from the use of this document or from any omissions or errors herein.

➤ TECHNICAL SPECIFICATIONS > Emitter customization code



Type	JSIR 350-4	JSIR 360-4
Time constant (modulation)	17 ms	28 ms
Lifetime	100000 h at 610 °C	100000 h at 590 °C
Membrane temperature	610 °C at 650 mW nominal power	590 °C at 650 mW nominal power

