
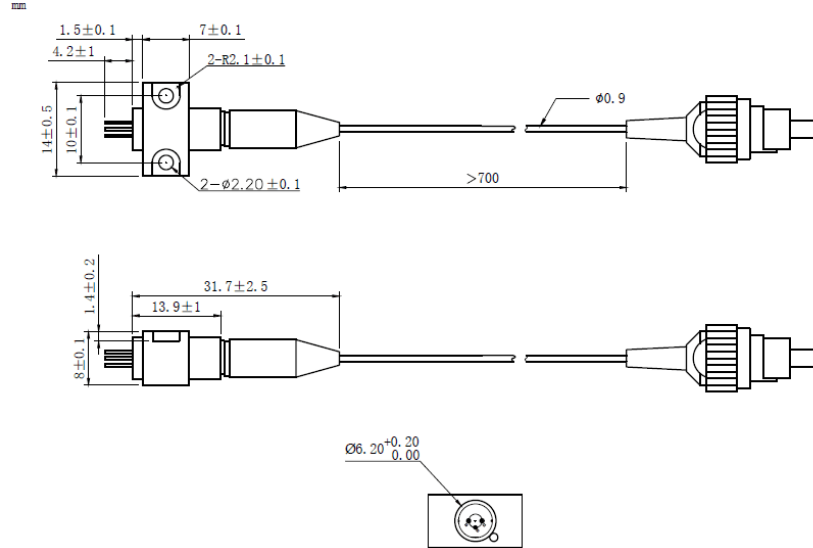


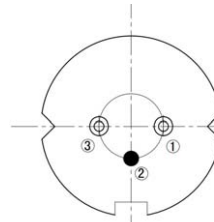
**635nm~638nm 400mW MM Fiber Coupled Laser Diodes | Red Laser Diode
635nm 400mW Multi-mode Coaxial Pigtailed LD Module| 105um Fiber Core
WSLP-635-400m-M-B**

| 635nm Pigtailed Diode Laser | | 400mW/MMF | |
|--|--|-------------|------------|
| PARAMETER | SYMBOL | VALUE | UNIT |
| MAX Reverse Voltage | V_r | 2.0 | V |
| Operating Temperature | T_{op} | 0~+40 | °C |
| Storage Temperature | T_{stg} | -40~+85 | °C |
| Lead soldering temperature (10 sec.) | T_{is} | 260 | °C |
| Features: |  | | |
| <ul style="list-style-type: none"> • 638nm • MM Fiber • B82 Package | | | |
| Applications: | | | |
| <ul style="list-style-type: none"> • Medical Laser Treatment • Others | | | |
| Specifications | WSP-635-400m-M-B | | |
| | Min | Type | Max |
| Center Wavelength@25°C | 630nm | 638nm | 645nm |
| Spectral Width (FWHM) | ---- | 2.0nm | ---- |
| Output Power | ---- | 400mW | ---- |
| Fiber Core | 105um | | |
| Numerical aperture | 0.22 | | |
| Fiber Connector | FC/SC/SMA905 | | |
| Fiber Length | >80cm | | |
| Threshold Current (Typ.) | ---- | 220mA | 300mA |
| Operating Current (Typ.) | ---- | 870mA | 950mA |
| Operating Voltage | ---- | 2.4V | 3.0V |
| Recommended Operating Temperature | 25°C | | |
| Package Style | B82 | | |

B82 Package View:



PIN Bottom View:



| | |
|---|-------|
| 1 | LD(+) |
| 2 | GND |
| 3 | LD(-) |

**Electrically shorten LD module and store in non-extreme conditions.
Suggest using the constant current power supply.**

