

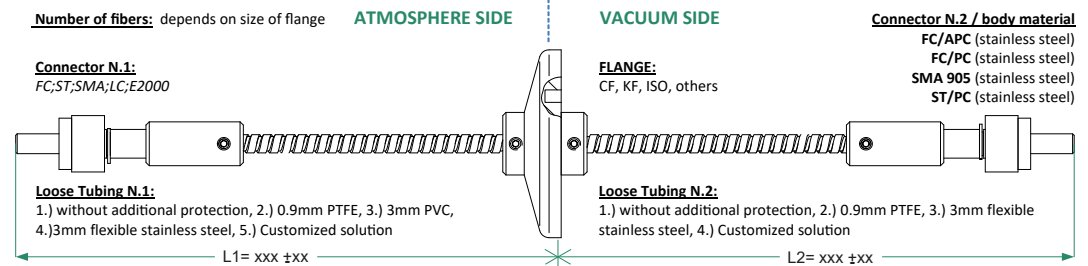
Vacuum Fiber Optic Feedthrough

Hermetic fiber optic feedthroughs with pigtail interface



Operating temperatures*	Standard -25°C/85°C High Temp. -40°C/180°C
Hermeticity	10 ⁻¹⁰ to 10 ⁻¹² mbar.l/s
Fiber type**	SM, MM or PM
Fiber protection	Stainless steel flexible tubing (Ø 3mm) perforated PTFE (Ø 900um) ; Customized
Flange type	CF16 - CF160, KF16 - KF50, ISO or customized
Flange material	Stainless steel (304L and 316L) and others
Connector (stainless steel)	FC/PC, FC/APC, SMA 905, ST/P

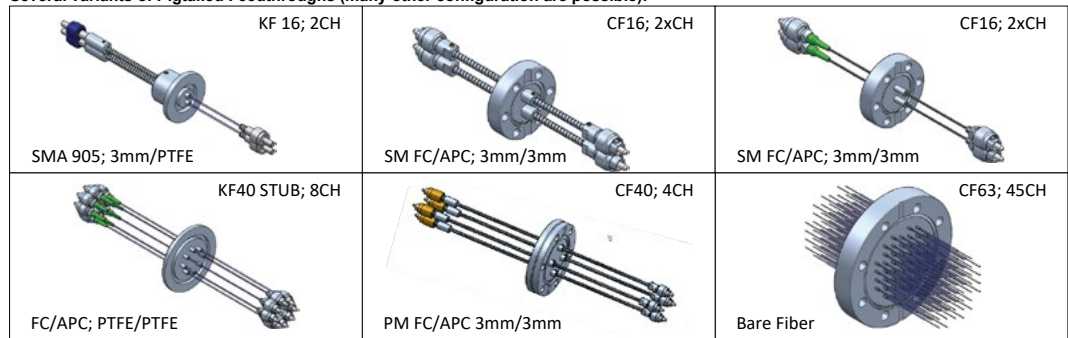
*Depends on type of fiber
**Various operational wavelength on the request



SQS has many years of experience in the design and production of optical fiber feedthroughs for vacuum applications. Vacuum fiber feedthroughs are suitable for use in various areas of research and development, and in many industrial applications.

Vacuum fiber feedthroughs are manufactured according to specific customer requirements. We can seal the majority of optical fibers in standard or atypical flanges for various areas of feedthrough applications.

Several variants of Pigtailed Feedthroughs (many other configuration are possible):



Among other things we offer: Adapter Feedthrough, Pressure Feedthrough, Vacuum compatible cables, etc..

1CH - KF16 - SMA905 - HV



4CH - KF16 - SMA905 - HV



4CH - CF16 - SMA905 - UHV

