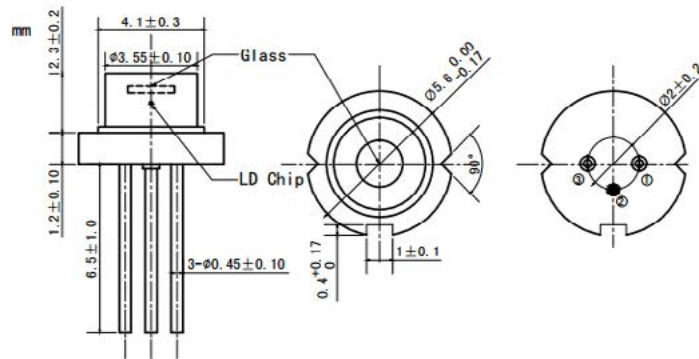


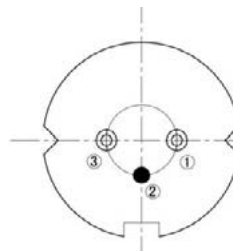
**1060nm~1064nm 40mW~50mW SM laser diode | Built-in Photodiode**  
**1064nm 50mW Single Mode LD with 5.6mm TO18 Package**  
**WSLD-1064-050m-1-PD**

| 1064nm Laser Diode   |                        | 50mW/TO18  |                     |
|--|------------------------|--|---------------------|
| <b>Reverse Voltage</b>   | <b>V<sub>r</sub></b>   | <b>2.0</b>   | <b>V</b>            |
| <b>Operating Temperature</b>   | <b>T<sub>op</sub></b>  | <b>-10~+40</b>   | <b>°C</b>           |
| <b>Storage Temperature</b>   | <b>T<sub>stg</sub></b> | <b>-40~ +85</b>  | <b>°C</b>           |
| <b>Lead soldering temperature (10 sec.)</b>  | <b>T<sub>is</sub></b>  | <b>260</b>   | <b>°C</b>           |
| <b>Features:</b> <ul style="list-style-type: none"> <li>🔦 1064nm</li> <li>🔦 CW</li> <li>🔦 Built-in PD</li> <li>🔦 Single Mode LD</li> <li>🔦 TO18 Package</li> </ul> |                        |  |                     |
| <b>Applications:</b> <ul style="list-style-type: none"> <li>🔦 Medical Laser Treatment</li> <li>🔦 Laser Indicator</li> <li>🔦 Laser Detector</li> </ul>              |                        |  |                     |
| <b>Specifications</b>  |                        | <b>WSLD-1064-050m-1-PD</b>   |                     |
|  |                        | <b>Min</b>   | <b>Type</b>         |
| <b>Center Wavelength@25°C</b>  |                        | <b>±5nm</b>  | <b>1064nm</b>       |
| <b>Spectral Width (FWHM)</b>   |                        | <b>----</b>  | <b>2.0nm</b>        |
| <b>Output Power</b>  |                        | <b>----</b>  | <b>40mW</b>         |
| <b>Emitter Size</b>  |                        | <b>----</b>  | <b>3um*1.5um</b>    |
| <b>Beam Divergence (FWHM)</b>  |                        | <b>----</b>  | <b>20°± x 10°//</b> |
| <b>Temperature Coefficient of Wavelength</b>   |                        | <b>----</b>  | <b>0.3nm / °C</b>   |
| <b>Slope Efficiency</b>  |                        | <b>----</b>  | <b>0.6mW/mA</b>     |
| <b>Threshold Current (Typ.)</b>  |                        | <b>----</b>  | <b>20mA</b>         |
| <b>Operating Current (Typ.)</b>  |                        | <b>----</b>  | <b>100mA</b>        |
| <b>Operating Voltage</b>   |                        | <b>----</b>  | <b>2.0V</b>         |
| <b>Monitor Current</b>   |                        | <b>----</b>  | <b>0.1mA</b>        |
| <b>Package Style</b>   |                        | <b>TO18</b>  |                     |

**TO18(5.6mm) Package View**



**Pin Out View**



|   |             |
|---|-------------|
| 1 | LD(-)       |
| 2 | LD(+)&PD(-) |
| 3 | PD(+)       |

**Electrically shorten LD module and store in non-extreme conditions.  
Suggest using the constant current power supply.**

