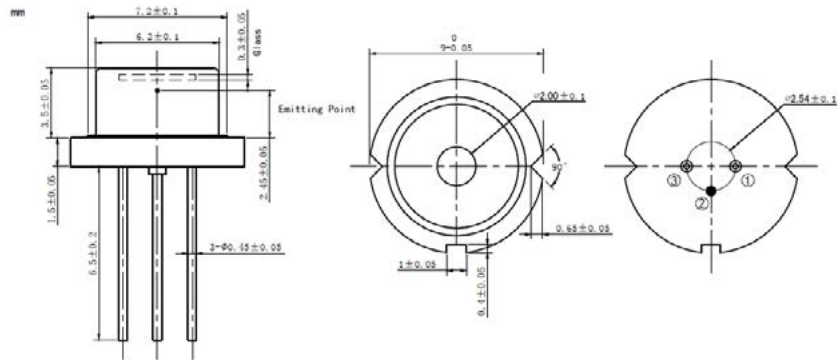


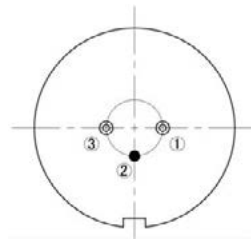
1064nm 150mw SM Laser Diode with PD | TO5 Package
1060nm~1064nm | Single Mode LD | 150mW Output Power | 9mm Package | Built-in Photodiodes
WSLD-1064-150m-2-PD

1064nm Laser Diode		150mW/TO5		
Reverse Voltage	V_r	2.0	V	
Operating Temperature	T_{op}	-10~+50	°C	
Storage Temperature	T_{stg}	-40~+85	°C	
Lead soldering temperature (10 sec.)	T_{is}	260	°C	
Features: <ul style="list-style-type: none"> ✿ 1064nm ✿ Built-in PD ✿ Single Mode LD ✿ TO5 Package 				
Applications: <ul style="list-style-type: none"> ✿ Medical Laser Treatment ✿ Laser Indicator ✿ Others 				
Specifications		WSLD-1064-150m-2-PD		
		Min	Type	Max
Center Wavelength@25°C		+/-5nm	1064nm	+/-15nm
Spectral Width (FWHM)		----	2nm	----
Output Power		----	150mW	----
Emitter Size		----	4um*1um	----
Beam Divergence (FWHM)		----	38°± x 18°//	50°± x 25°//
Recommend Operating Temperature		25°C		
Slope Efficiency		----	0.7mW/mA	----
Threshold Current (Typ.)		----	35mA	60mA
Operating Current (Typ.)		----	260mA	280mA
Operating Voltage		----	1.8V	2.5V
Monitor Current		----	0.1mA	----
Package Style		TO5		

TO5(9mm) Package View



PIN Bottom View:



1	LD(-)
2	LD(+)&PD(-)
3	PD(+)

**Electrically shorten LD module and store in non-extreme conditions.
Suggest using the constant current power supply.**

