



PL63/65/67 Series Visible Laser Diode Modules

PD-LD Inc. offers a variety of packaging options for its' Visible Series of laser diodes. These units are available in ready-to-use, fiber-coupled packages, including FC, ST, and SC receptacles, as well as fiber-pigtailed units.

The laser diodes offered by PD-LD are of proven design and manufacture; the standard wavelengths are centered at 630nm, 650nm and 670nm. Fiber-coupled CW (continuous-wavelength) output powers range from 0.1 - 10 mW, depending on the fiber type and desired performance level. Devices may be optimized for coupling to sensor or telecommunication size optical fiber, from 3um to 200um core.

Optional board- or panel-mount flanges are available for pigtailed devices; contact PD-LD Sales. Also, PD-LD Inc. will package non-standard lasers or parts specified by a customer using standard or custom receptacle or pigtailed techniques. In many cases several different pin-out options are available for similar wavelength lasers.



Applications

- Fiber optic communications
- Optical Sensing
- Process Control
- Test and Measurement Equipment
- Optical Alignment Systems

Fiber Size and Coupling Efficiency

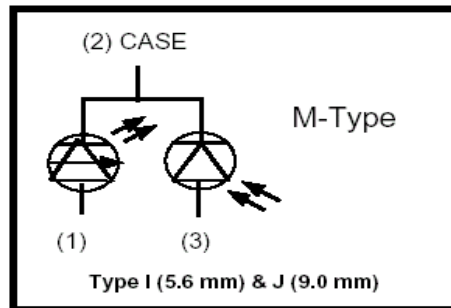
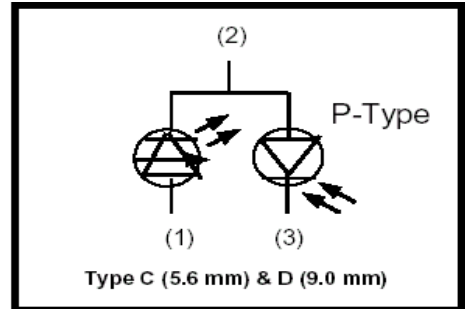
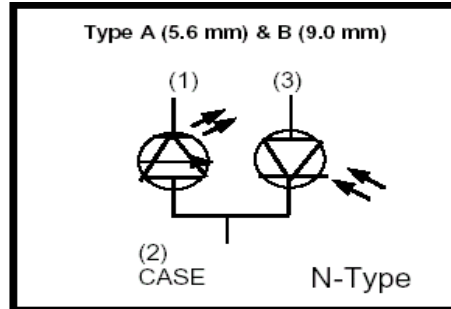
- 3/125um 8~10%
- 5/125um 10~15%
- 9/125um 15~20%
- 50/125um 25~30%
- 62.5/125um 30~40%

PD-LD Part No. ¹	Wavelength (nm)			Min. Fiber Coupled Power (mW)	Threshold Current (mA)		Operating Current (mA)		Monitor PD Current (mA)	
	Min.	Typ.	Max.		Typ.	Max.	Typ.	Max.	Min.	Typ.
Continuous Wavelength Lasers @ 25C										
PL63E0.56FAA-0-0-01	630	637	640	0.5mW Into 3125 SMF	15	20	20	40	0.1	0.5
PL63C005100A-0-0-01	625	635	640	5mW into 9/125 SMF	50	75	70	95	0.05	0.17
PL63K002FC26-T-0	630	636	642	2mW Into 3/125um SMF	60	70	87	105	0.03	0.50
PL63H003300A-0-0-01	625	635	640	3mW 62.5/125 MMF	45	70	55	85	0.2	0.4
PL63E001FC21-T-0	630	637	640	1mW 9/125um SMF	15	20	20	25	0.1	0.5
PL63F0152FCA-0-0-01	636	639	644	15mW 50/125um MMF	50	70	100	120	0.1	0.7
PL65T0.8UN11-T-0	640	650	660	0.8 mW into 9/125 SMF	15	20	20	22	0.05	0.3
PL66A005FC26-T-0	662	664	666	5mW 3/125 SMF	60	75	120	140	0.2	0.9
PL67A0026FAA-0-0-01	660	670	680	2mw 3/125um SMF	20	40	40	80	0.1	0.5
PL66N0026FCA-0-0-01	645	658	666	2.0 mW into 3/125 SMF	45	70	85	120	0.05	0.3
PL66N005FC11-S-0	645	658	666	5 mW into 9/125 SMF	45	70	85	120	0.05	0.3

¹Examples only; most device/packaging combinations available. Changes to specifications may be made without notice.

PL63/65/67 Series Visible Laser Diode Modules

Laser Diode Pin-Out Styles



Pin Connection

A & B: N-Type = LD (+) Anode & PD (-) Cathode Case Common
C & D: P-Type = LD (-) Cathode & PD (+) Anode Case Common
I & J: M-Type = LD (-) Cathode & PD (-) Cathode Case Common

Ordering Information

Lasers Pigtailed

PLWWWPPPFCCB-0-V-LL

L = Laser

WWW=Wavelength and Pin-out

635nm: 63C, 63K, 63E, 63F, 63H

655nm: 65A, 65P, 65T, 65V, 66N

664nm: 66A

670nm: 67A, 67T

690nm: 67G

F = Fiber Type

1 = 9/125 SMF

2 = 50/125 MMF

3 = 62.5/125 MMF

4 = 100/140 MMF

6 = 3/125 SMF

7 = 5/125 SMF

8 = 7/125 SMF

A = 200/240 MMF

PM Fiber available on request

LL = Length in meters (01,02,.5 ect.) (pigtailed devices only)

CC = Connector Type (pigtailed devices only)

ST = ST/PC SC = SCPC SA = SC/APC

TA = ST/APC

SM = SMA 905

RRR=Receptacle Type

FC1=FC Panel mount

FC2=FC Board mount

SC1=SC Panel mount only

SC2=SC Panel/board mount

ST7=ST low profile

ST8=ST high profile

O=Orientation

0=N/A

A=Bracket Shipped Loose (pigtailed unit)

Specify orientation as required

V=Version

0=Standard

Unique Codes for specific requirements

Laser Receptacle

PLWWWPPRRRF-O-V

PPP = Fiber-Coupled Power

0.1 = 0.10 mW (100 μW)

0.8 = 0.8 mW (800 μW)

0.2 = 0.20 mW (200 μW)

001 = 1.0 mW

0.5 = 0.5 mW (500 μW)

002 = 2.0 mW

¹Examples only; most device/packaging combinations available. Changes to specifications may be made without notice.

PL63/65/67 Series Visible Laser Diode Modules

Visible Laser Diodes Available from Stock

PD-LD Laser Code	Nominal Wavelength (nm)	TO Package Size	Laser Pinning	Maximum Total Power (mW)*
63C	635nm -10/+5nm	9.0mm	N	10.0
63K	636nm +/-6nm	5.6mm	N	20.0
63E	637nm+3/-7nm	5.6mm	N	5.0
63F	639nm+5/-3nm	5.6mm	N	30.0
63H	633nm+/-8nm	9.0mm	N	5.0
65A	655nm+/-5nm	5.6mm	P	7.0
65P	655nm+/-10nm	5.6mm	P	7.0
65T	650nm+/-10nm	5.6mm	N	5.0
65V	655nm +5/-10nm	5.6mm	P	5.0
66A	664nm +/-2nm	5.6mm	N	60.0
66N	658nm+7nm/-13nm	5.6mm	P	35.0
67A	670nm+/-10nm	5.6mm	N	10.0
67G	690nm+5/-10nm	5.6mm	P	30.0
67T	670nm+/-10nm	5.6mm	N	12.0

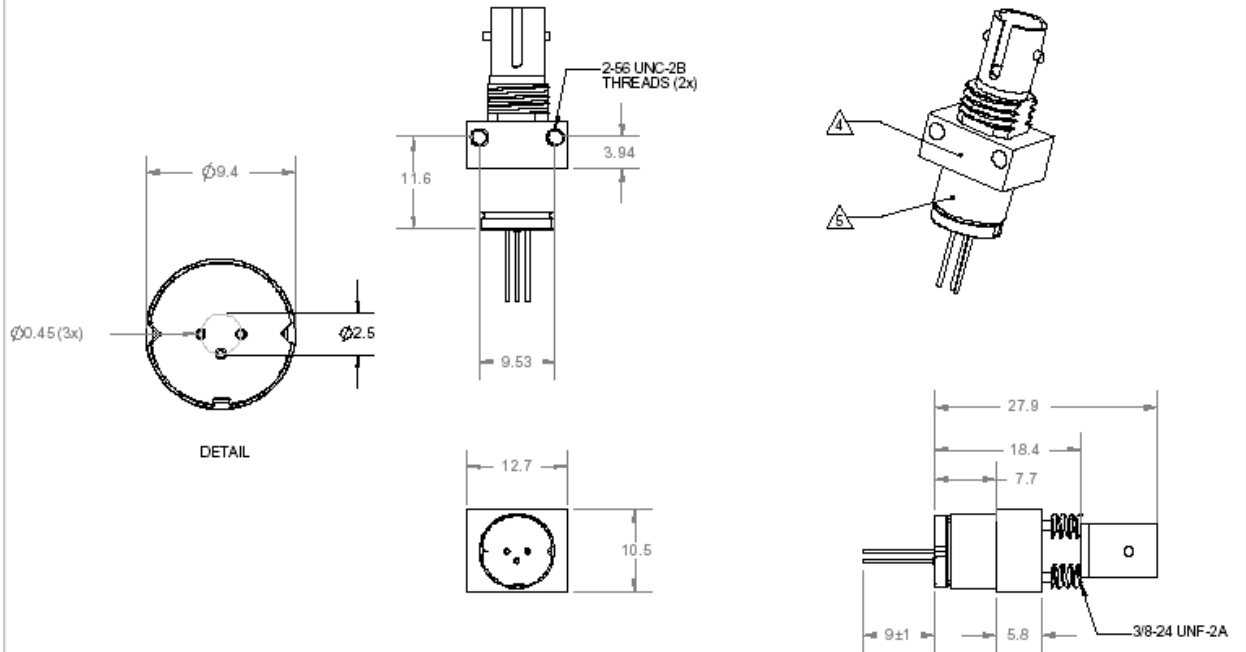
* The power listed is the total light output from the semiconductor laser chip as measured from the discrete TO package. The amount of light coupled into the optical fiber will be dependent on the fiber type.

Please contact PD-LD Sales to discuss wavelength, pinning and power requirements not listed above.

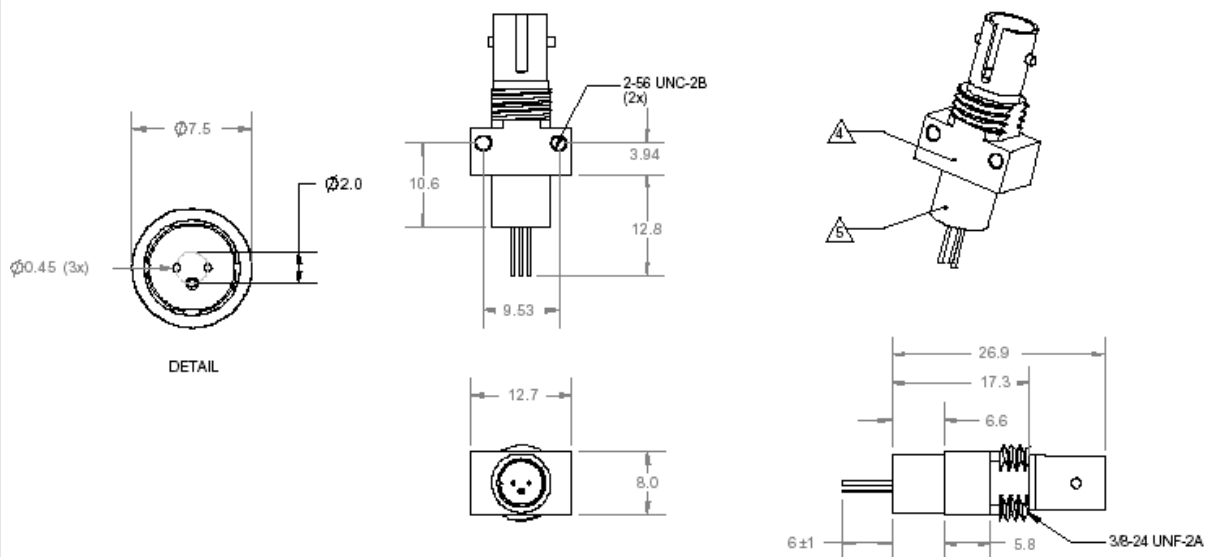
¹Examples only; most device/packaging combinations available. Changes to specifications may be made without notice. 2-14 Visible Series. Rev.J

PL63/65/67 Series Visible Laser Diode Modules

9mm Diameter Laser Mounted in High Profile ST8 Receptacle



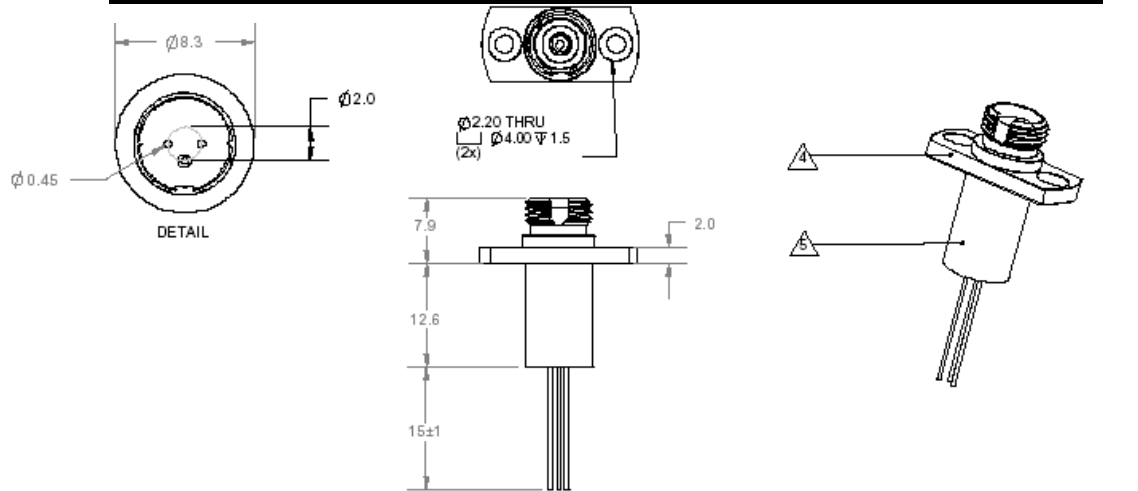
5.6mm Diameter Laser Mounted in Low Profile ST7 Receptacle



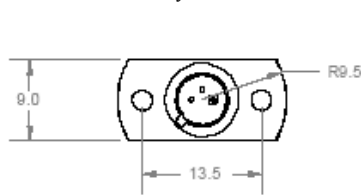
¹Examples only; most device/packaging combinations available. Changes to specifications may be made without notice.

PL63/65/67 Series Visible Laser Diode Modules

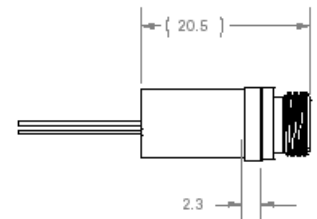
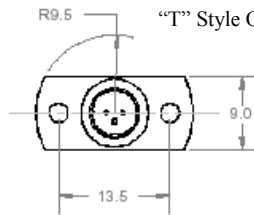
5.6mm Diameter Laser In FC Panel Mount Receptacle



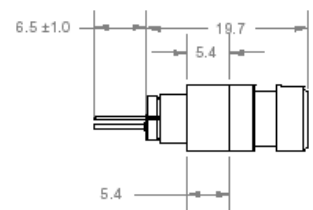
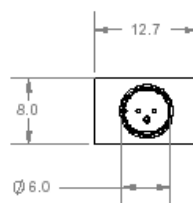
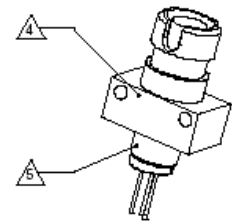
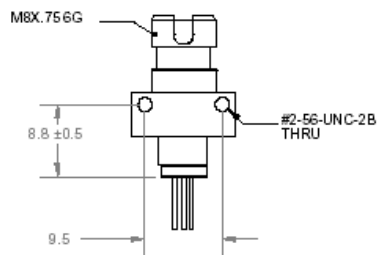
“Z” Style Orientation



“T” Style Orientation



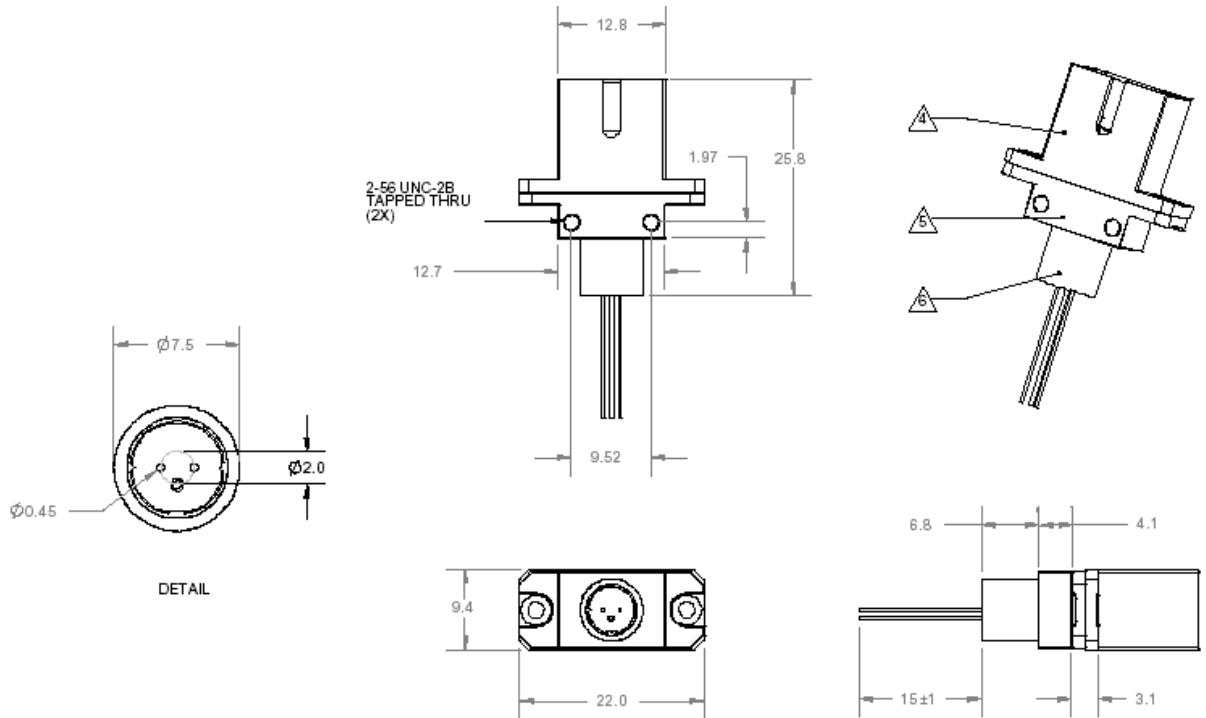
5.6mm Diameter Laser in FC Board Mount Receptacle



¹Examples only; most device/package combinations available. Changes to specifications may be made without notice.

PL63/65/67 Series Visible Laser Diode Modules

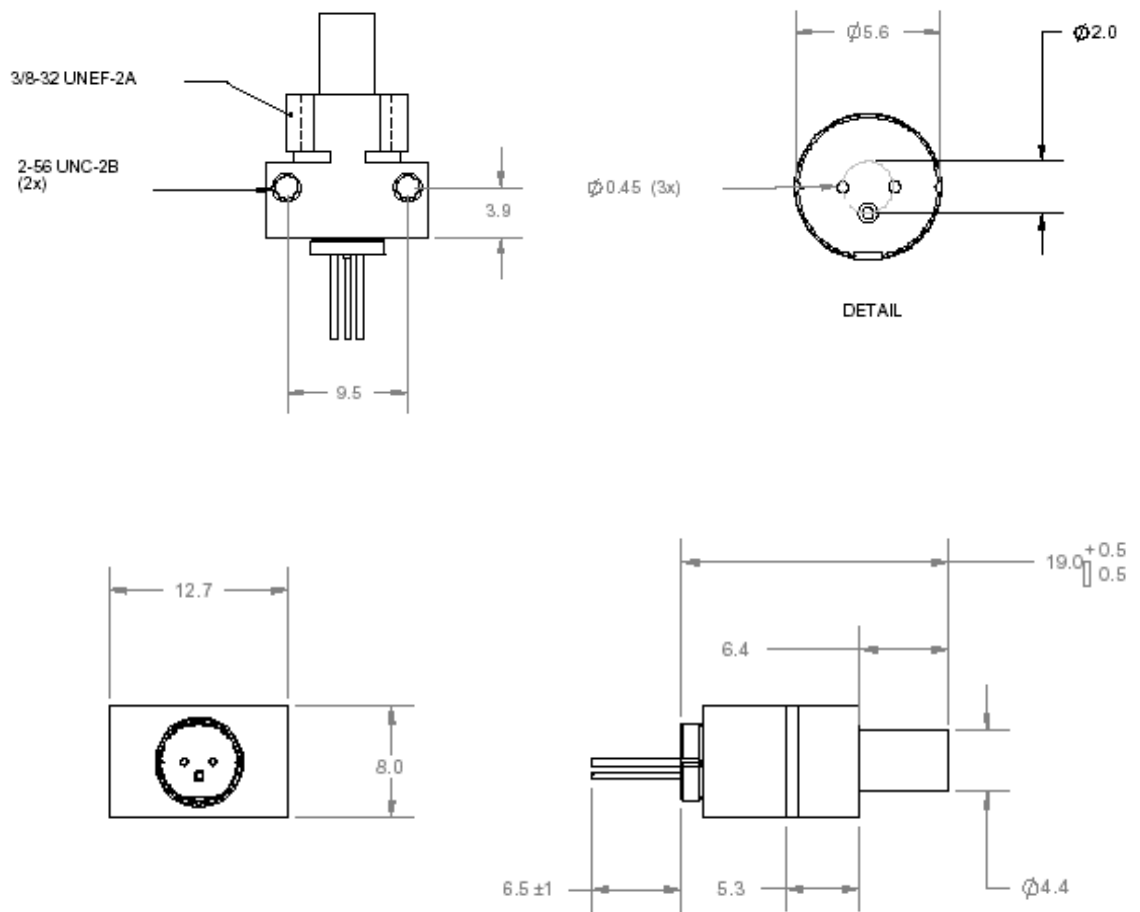
5.6mm Laser Mounted in SC2 Panel/Board Mount Receptacle



¹Examples only; most device/package combinations available. Changes to specifications may be made without notice.

PL63/65/67 Series Visible Laser Diode Modules

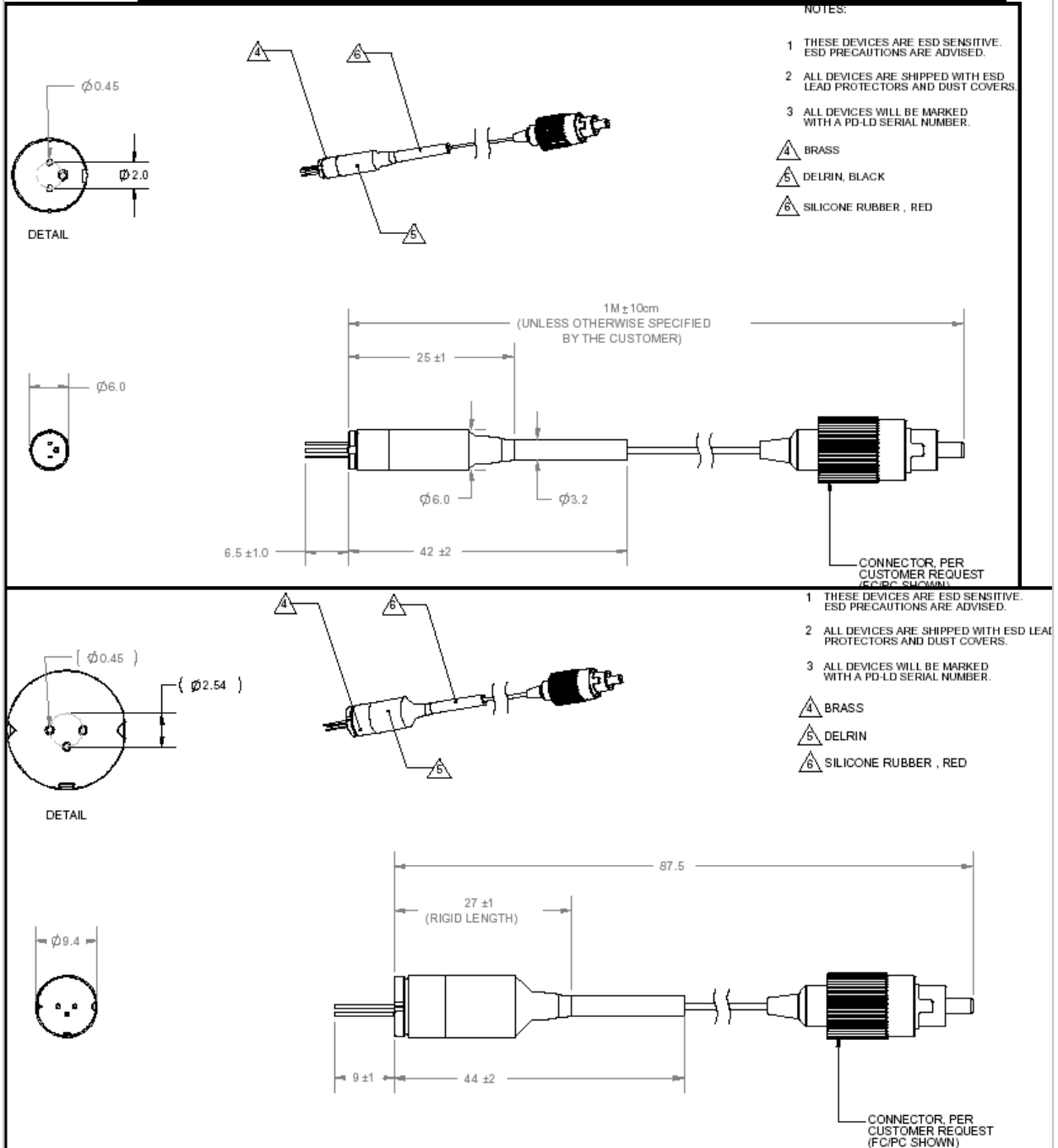
Universal Receptacle for 2.5mm Ferrule



¹Examples only; most device/packaging combinations available. Changes to specifications may be made without notice.

PL63/65/67 Series Visible Laser Diode Modules

5.6mm (top) & 9.0mm (bottom) Fiber Pigtailed Laser Diodes



¹Examples only; most device/package combinations available. Changes to specifications may be made without notice.

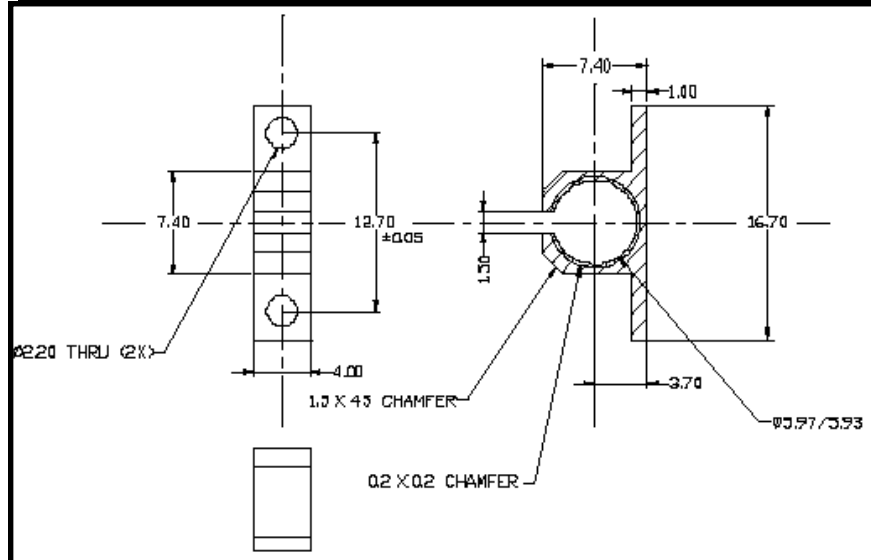
PL63/65/67 Series Visible Laser Diode Modules

Absolute Maximum Ratings (T_c=25°C)			
Parameter	Symbol	Value	Unit
LD Reverse Voltage	V _{R(LD)}	2	V
PD Reverse Voltage	V _{R(PD)}	30	V
Operating Temperature	T _{OPR}	-10 to 60	°C
Storage Temperature	T _{STR}	-40 to 85	°C
Soldering Temperature	T _{Solder}	260	°C (5 seconds max)

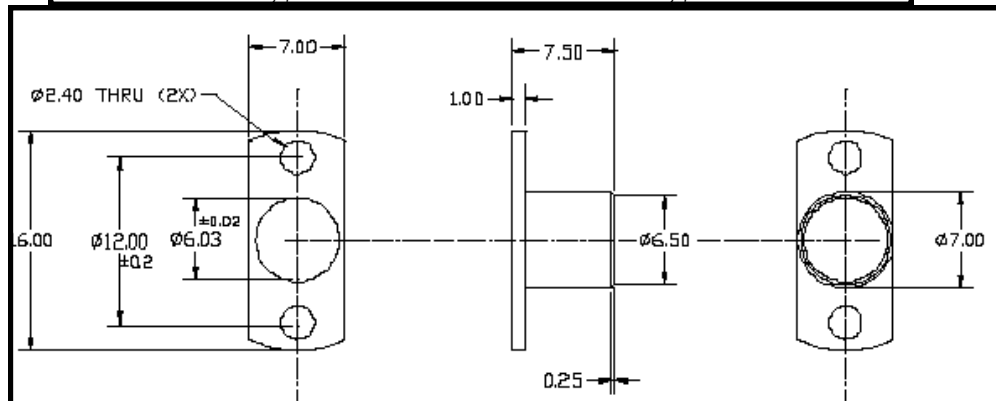
¹Examples only; most device/packaging combinations available. Changes to specifications may be made without notice.

PL63/65/67 Series Visible Laser Diode Modules

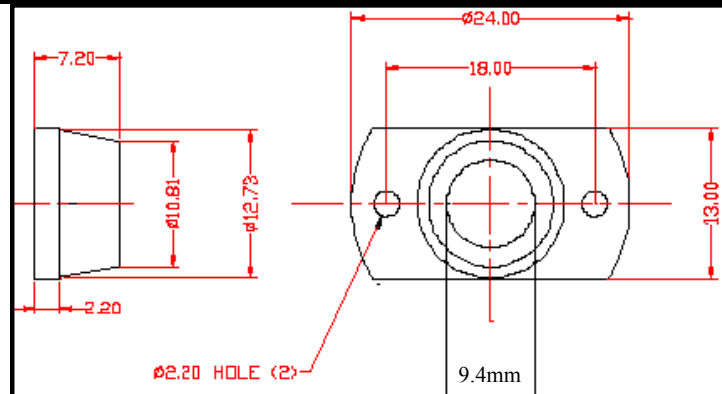
Board Mounting Bracket "D" for 5.6mm Pigtailed Lasers



Panel Mounting Bracket "E" for 5.6mm Pigtailed Lasers



Panel Mount Bracket "B" for 9.0mm Pigtailed Lasers



samples only; most device/package combinations available. Changes to specifications may be made without notice.