

PL13/15 FP Series Laser Diode Modules

PD-LD Inc. offers a variety of packaging options for its' Fabry Perot Series of laser diodes. These units are available in ready-to-use, fiber-coupled packages, including FC, ST, and SC receptacles, as well as fiber-pigtailed units.

The InGaAsP MQW laser diodes offered by PD-LD are of proven design and manufacture; the standard wavelengths are centered at 1310 and 1550nm. Fiber-coupled CW (continuous-wavelength) output powers range from 0.1 - 2 mW, depending on the fiber type and desired performance level. Tracking error over OTR -40 to +85C is +/-1.0 dB maximum .



Features

- Internal Monitor Photodetector
- Compact, reliable receptacle & coax fiber-coupled package
- 0.1 - 2.0 mW singlemode (9/125)
- 1.7nm RMS Spectral Width
- 1.5 GHz Bandwidth

Applications

- Fiberoptic communications systems
- Fiberoptic test instrumentation
- Digital and Analog Signal transmission

Performance Specifications: Typical Product Configurations (more options available)

PD-LD Part No. ¹	Wavelength (nm)			Min. Fiber Coupled Power (mW)	Pin-out	Threshold Current (mA)		Operating Current (mA)		Monitor PD Current (mA)	
	Min.	Typ.	Max.			Typ.	Max.	Typ.	Max.	Min.	Typ.
Continuous Wavelength InGaAsP MQWLasers @ 25C: Pigtailed											
PL13B001100A-0-0-01	1290	1310	1330	1 mW into 9/125 SMF	"H"	5	15	20	35	InGaAs	0.1 0.8
PL13P0021FAA-0-0-01	1295	1310	1325	2 mW into 9/125 SMF	"T"	10	20	20	35	InGaAs	0.1 0.8
PL15B001FC11-S-0	1530	1550	1570	1 mW into 9/125 SMF	"H"	10	20	30	50	InGaAs	0.1 0.8
PL15P0.51FCA-0-0-01	1530	1550	1570	0.5 mW into 9/125 SMF	"T"	10	20	20	35	InGaAs	0.1 0.8
PL15P0011FCA-0-0-01	1530	1550	1570	1 mW into 9/125 SMF	"T"	10	20	20	35	InGaAs	0.1 0.8
Continuous Wavelength InGaAsP MQWLasers @ 25C: Receptacles											
PL13B0.5ST71-S-0	1290	1310	1330	0.5mW ST Receptacle	"H"	5	15	20	35	InGaAs	0.1 0.8
PL13P001FC11-S-0	1295	1310	1325	1 mW FC Receptacle	"T"	10	20	20	35	InGaAs	0.1 0.8

¹ Examples only; most device/packaging combinations available.

Changes to specifications may be made without notice.

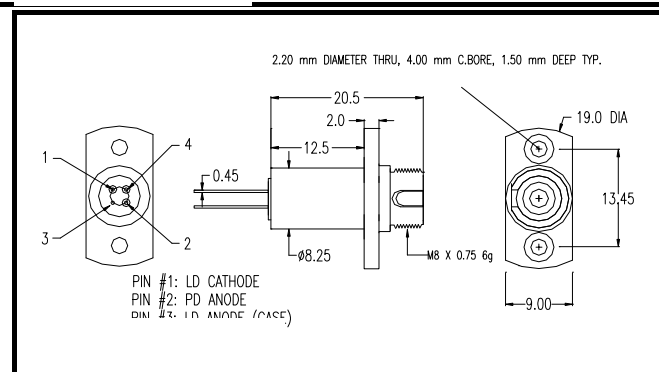
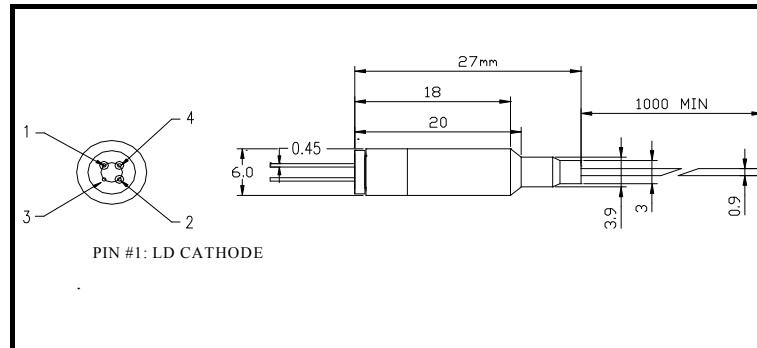
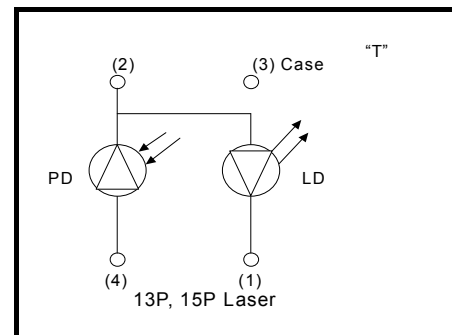
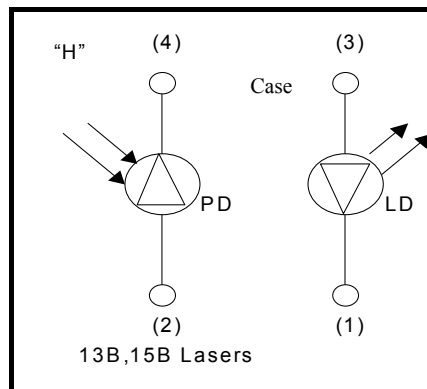
07-02PLFP1315.

PL13/15 FP Series Laser Diode Modules

Packaging Options

Optional board- or panel -mount flanges are available for pigtailed devices; contact PD-LD Sales. Also, PD-LD Inc. will package non-standard lasers or parts specified by a customer using standard or custom receptacle or pigtail techniques. Both receptacle and pigtail packages are made using an active micro-positioning system and proven packaging techniques. Reliable and efficient devices are produced.

Physical Dimensions (mm) & Pin Connection



¹ Examples only; most device/packaging combinations available.

Changes to specifications may be made without notice.

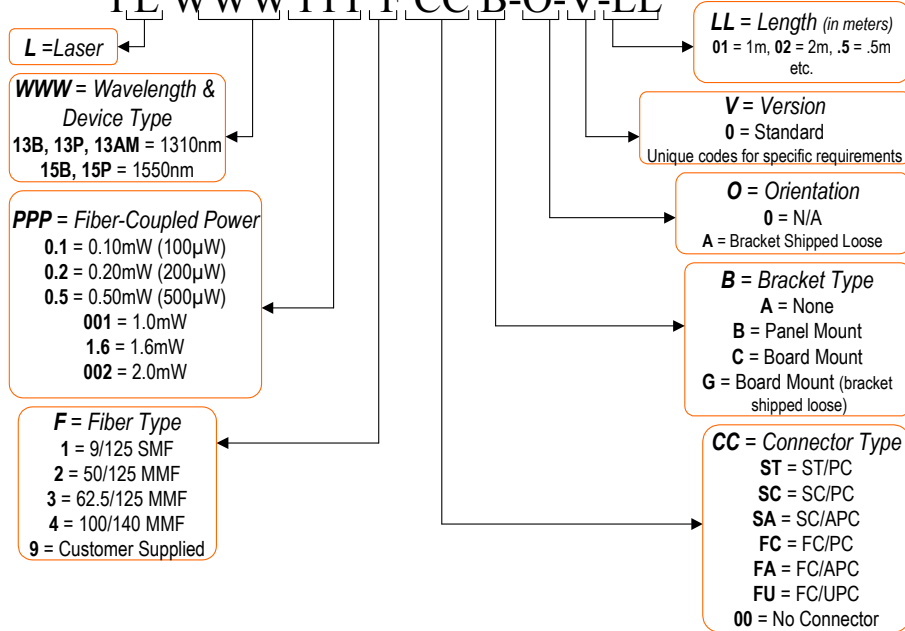
07-02PLFP1315.

PL13/15 FP Series Laser Diode Modules

Ordering Information

Data Legend: Pigtailed Laser Diodes

PL WWW PPP F CC B-O-V-LL



Data Legend: Receptacle Laser Diodes

Ex: PL WWW PPP RRR F-O-V

