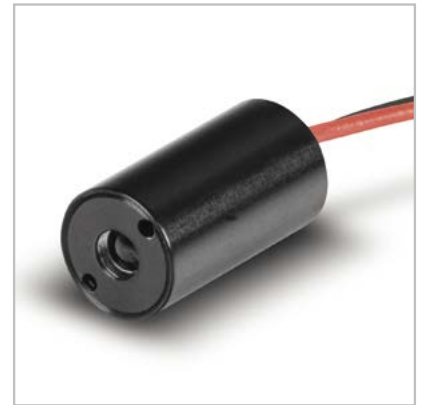


FLEXPOINT® Laser Diode Modules FP-Mini Series

Smallest Design – Highest Quality

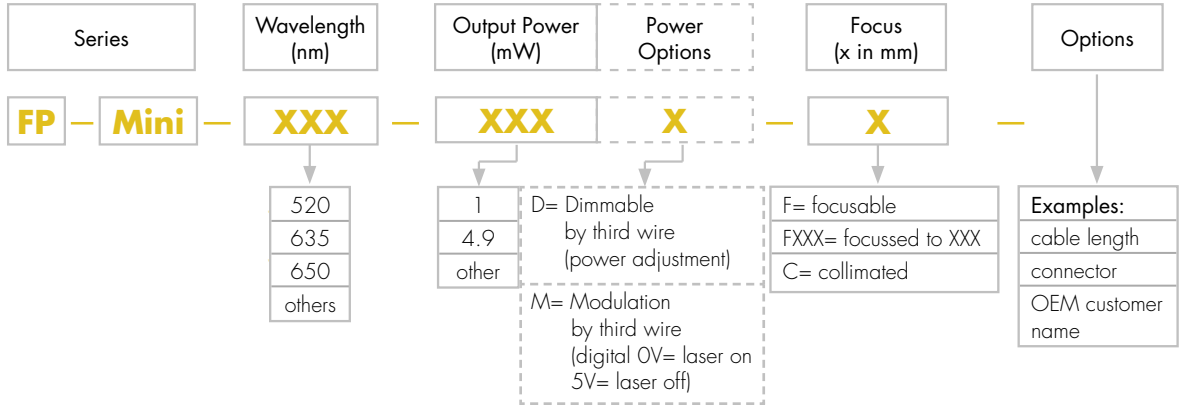
The FLEXPOINT® laser diode module FP-Mini-series is characterized by an extremely small design. This allows the modules to be integrated into systems with practically no available space. The modules are equipped with a variable lens that can be adjusted to focus or collimate a laser beam. The FP-Mini-series is available at different power levels with red and green wavelength.



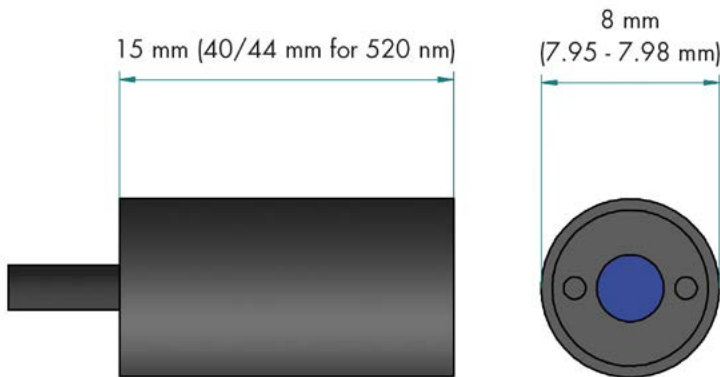
Specifications

Beam profile	dot laser
Wavelength	520 nm / 635 nm / 650 nm
Output power	1 mW or 4.9 mW
Power stability	< 5%
Beam diameter at output	approx. 2.5 mm x 0.8 mm
Divergence	< 1.5 mrad
Supply voltage	4.5 – 6 VDC
Power consumption	< 50 mA / <100 mA for 520 nm
Dimensions	15 mm x 8 mm (l x Ø), l = 40 mm for 520 nm with fix focus l = 44 mm for 520 nm with adjustable focus
Housing	aluminum, black anodized, potential-free
Length of wires	500 mm
Protection circuits	surge, voltage peak, and reverse voltage protection
Operating temperature	0 °C – 50 °C (635 nm: 0 °C – 40 °C)
Storage temperature	-10 °C to +60 °C
Options	digital modulation up to 10 kHz dimmbable by third wire (not for 520 nm)

Ordering Code FLEXPOINT® FP-Mini Series



Mechanical Drawings



Product Changes

LASER COMPONENTS reserves the right to make changes to the product(s) or information contained herein without notice.

No liability is assumed as a result of their use or application.

Ordering Information

Products can be ordered directly from LASER COMPONENTS or its representatives. For a complete listing of representatives, visit our website at www.lasercomponents.com

Custom designed products are available on request.