

Laser Module

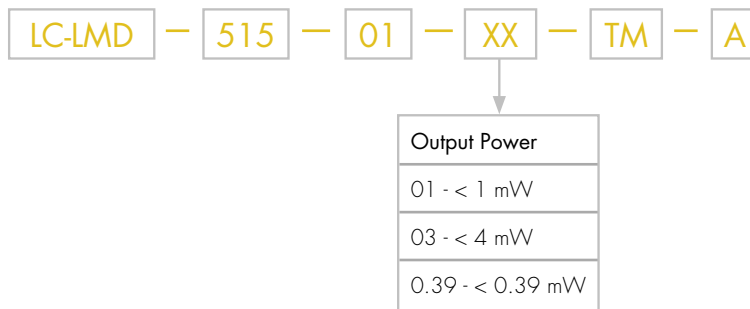
LC-LMD-515-01-TM

Ø 4 mm, 515 nm Laser Module

Features

1. APC (auto power control) IC inside
2. Low current consumption of the APC circuit
3. Much smaller LD module
4. Surge current protection
5. High quality lens for output beam

Part No. Indications



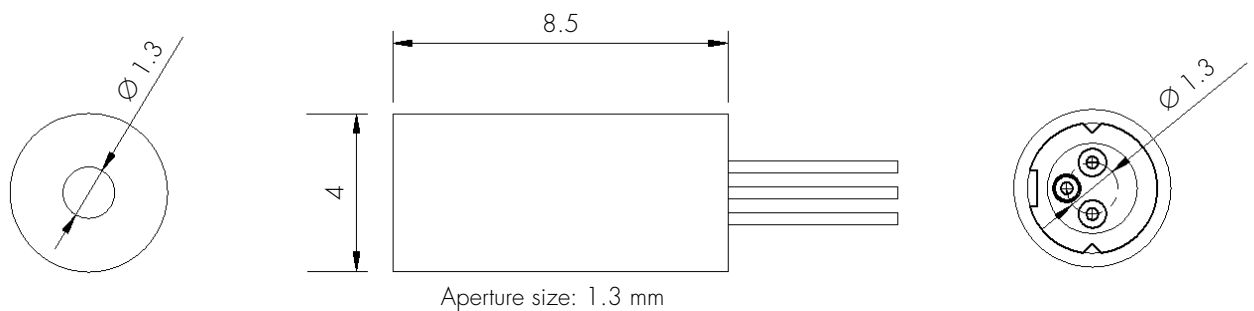
Absolute Maximum Ratings

Item	Symbol	Rating	Unit	
Power supply voltage	V_{CC}	01	7	V
Laser module optical output power	P_o	01	< 1	mW
		03	< 4	
Operation temperature	T_{opr}	0 ~ 50	°C	
Storage temperature	T_{stg}	0 ~ 85	°C	

Electrical and Optical Characteristics ($T_c = 25\text{ }^\circ\text{C}$)

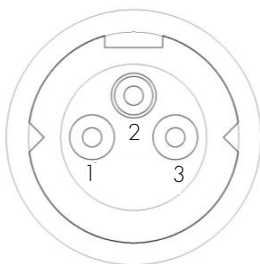
Item	Symbol	Min.	Typ.	Max	Unit	Condition	
Wavelength	λ	01	510	520	530	nm	$P_o = 1\text{ mW}$
		03					
Operation current	I_{op}	01	-	-	100	mA	$P_o = 1\text{ mW}$ $V_{cc} = 6\text{ V}$
		03					$P_o = 3\text{ mW}$ $V_{cc} = 6\text{ V}$
Optical output power	P_{out}	01	0.5		0.9	mW	
		03					
Operation voltage	V_{op}	-	6	6.5	Volt		
PWM control mode	PWM	100		2000	KHz	Add 10 uf capacitance Duty cycle = 50%	
Laser beam spot size at 10 m						< 20 mm	
Divergence angle						2.0 mrad	

Outline Dimensions (Units: mm)

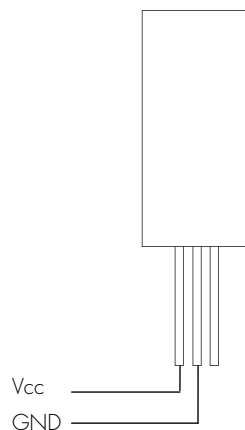


Pin Assignment

Pin 1: V_{cc}
Pin 2: GND
Pin 3: PWM



CW mode



PWM mode

