

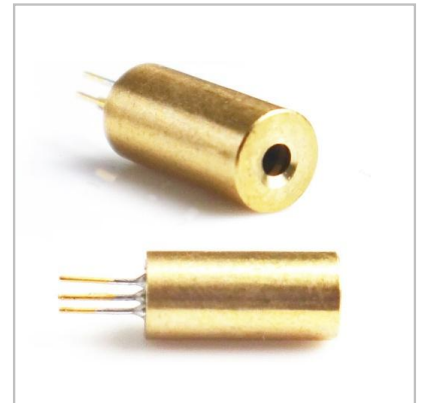
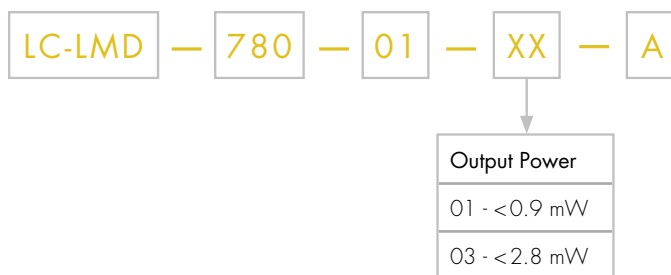
Laser Module LC-LMD-780-01

Ø 4 mm, 780 nm Laser Module

Features

1. APC (auto power control) IC inside
2. Low current consumption of the APC circuit
3. Surge current protection
4. High quality lens for output beam

Part No. Indications



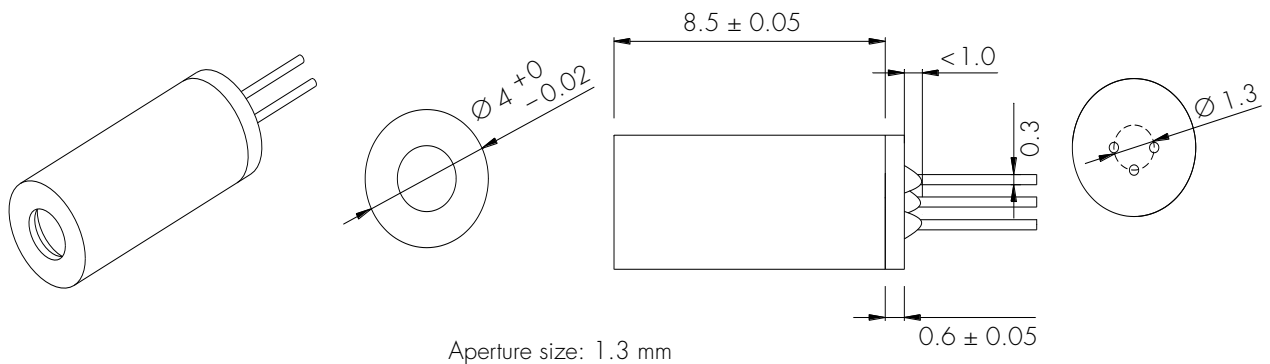
Absolute Maximum Ratings

Item	Symbol	Rating	Unit
Power supply voltage	V_{CC}	3.5	V
Laser Module optical output power	P_o	01	< 0.9
		03	< 2.8
Operation temperature	T_{opr}	0 ~ 40	°C
Storage temperature	T_{stg}	0 ~ 60	°C

Electrical and Optical Characteristics ($T_c = 25\text{ }^\circ\text{C}$)

Item	Symbol	Min.	Typ.	Max	Unit	Condition
Wavelength	λ	770	785	795	nm	$P_o = 0.3\text{ mW} / P_o = 2\text{ mW}$
Operation current	I_{op}	01	-	40	mA	$P_o = 0.3\text{ mW} \quad V_{cc} = 3\text{ V}$
		03	-	45		$P_o = 2\text{ mW} \quad V_{cc} = 3\text{ V}$
Optical output power	P_{out}	01	0.5	0.9	mW	
		03	1.5	2.8		
Operation voltage	V_{op}	2.8	-	3.5	Volt	
Laser beam spot size at 10 m				< 20 mm		
Divergence angle				2.0 mrad		

Outline Dimensions (Units: mm)



DC Power connection mode 1

TA type:

Heat sink stand (-)

