

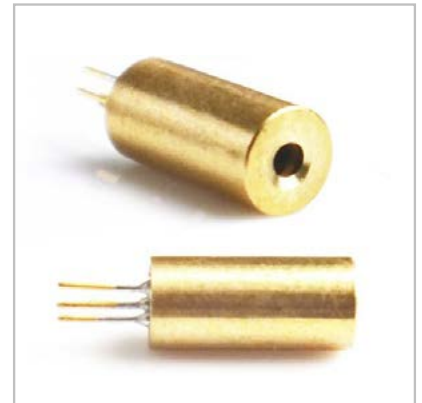
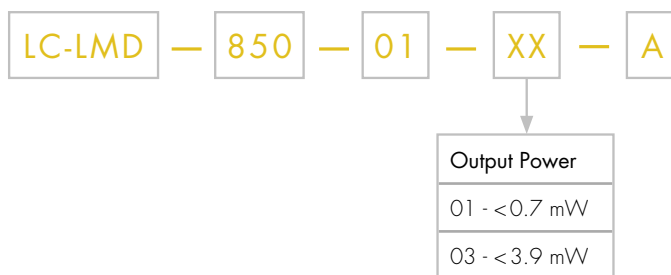
# Laser Module LC-LMD-850-01

Ø 4 mm, 850 nm Laser Module

## Features

1. APC (auto power control) IC inside
2. Low current consumption of the APC circuit
3. Surge current protection
4. High quality lens for output beam

## Part No. Indications



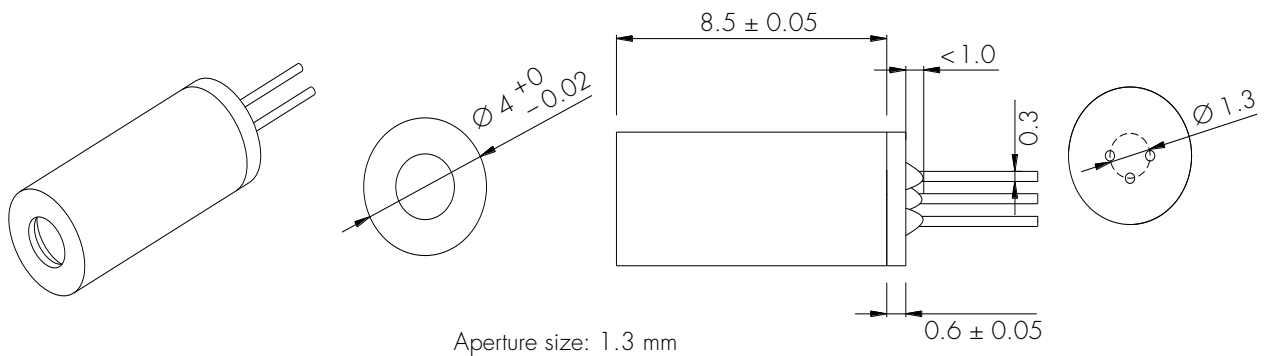
## Absolute Maximum Ratings

Item	Symbol	Rating	Unit
Power supply voltage	$V_{CC}$	3.5	V
Laser module optical output power	$P_o$	01	< 0.7
		03	< 3.9
Operation temperature	$T_{opr}$	0 ~ 40	°C
Storage temperature	$T_{stg}$	0 ~ 60	°C

### Electrical and Optical Characteristics ( $T_c = 25\text{ }^\circ\text{C}$ )

Item	Symbol	Min.	Typ.	Max	Unit	Condition	
Wavelength	$\lambda$	01	835	845	855	nm	$P_o = 0.5\text{ mW}$
		03					$P_o = 3\text{ mW}$
Operation current	$I_{op}$	01	-	-	40	mA	$P_o = 0.5\text{ mW}; V_{cc} = 3\text{ V}$
		03					
Optical output power	$P_{out}$	01	0.3	-	0.7	mW	
		03			2		
Operation voltage	$V_{op}$	2.8	-	3.5	Volt		
Laser beam spot size at 10 m		< 20 mm					
Divergence angle		2.0 mrad					

### Outline Dimensions (Units: mm)



DC Power connection mode 1

#### TA type:

Heat sink stand (-)

