

Pulsed Laser Diode Module L-CUBE

Description

The L-CUBEs are pulsed laser diode modules offer all of the features needed to safely drive pulsed lasers of different powers, in a compact housing. The modules are easy to handle and require only a +12 VDC supply and a trigger signal. External devices, such as trigger interfaces, are not necessary. These modules make the operation of pulsed lasers as straightforward as their cw counterparts.

For most applications it is only necessary to drive the laser with constant power and pulse length. However the following additional options are also offered:

- adjustable pulse power (via control voltage)
- adjustable pulse length (via control voltage)

These options offer the user greater flexibility and allow parameters to be changed while the laser is operating. Such flexibility can mean real cost savings in product development.

A range of housing types is offered, including closed metal housings and low-cost versions. The metal versions are fully nickel-plated, in order to reduce EMI emissions from the module, and to protect the module from any external EMI.

Custom designed modules are available on request.

Features

- Wavelength: 850 nm / 905 nm / 1550 nm
- Optical peak power: 1 W – 200 W
- Short rise and fall times
- Compact housing
- Complete unit – no additional equipment needed
- Adjustable pulse power (optional)
- Adjustable pulse length (optional)
- Straightforward interfacing (standard drive voltages, TTL & CMOS trigger)
- Excellent temperature stability
- RS232-communication/interface



Applications

- Rangefinding
- Surveying equipment
- Weapons simulation
- Laser radar / LIDAR
- Security barrier
- Ceilometer
- Medical
- Illumination
- Optical trigger

Specifications for 850 nm PLD-Modules

Part Number	L-CUBE-8-1/10-30/150	Dim.
Wavelength	850	nm
Optical peak power (NA >0.5)	1 – 10	W
Pulse length	30 – 150	ns
Pulse energy	30 – 1000	nJ
Max. average power	10	mW
Trigger input	TTL ↑	-
Max. PRF @ max. P	5	kHz
Integrated PLD	850D1S09S	
Emitting area	225 x 1	µm*µm
Package	S 10	-
Operating voltage	+12	VDC

Note: Power variation in the tolerance of +0%/-10%

Germany & Other Countries

Laser Components Germany GmbH
Tel: +49 8142 2864 - 0
Fax: +49 8142 2864 - 11
info@lasercomponents.com
www.lasercomponents.com

France

Laser Components S.A.S.
Tel: +33 1 39 59 52 25
Fax: +33 1 39 59 53 50
info@lasercomponents.fr
www.lasercomponents.fr

United Kingdom

Laser Components (UK) Ltd.
Tel: +44 1245 491 499
Fax: +44 1245 491 801
info@lasercomponents.co.uk
www.lasercomponents.co.uk

Nordic Countries

Laser Components Nordic AB
Tel: +46 31 703 71 73
Fax: +46 31 703 71 01
info@lasercomponents.se
www.lasercomponents.se

USA

Laser Components USA, Inc.
Tel: +1 603 821 - 7040
Fax: +1 603 821 - 7041
info@laser-components.com
www.laser-components.com

Specifications for 905 nm PLD-Modules

Part Number	L-CUBE-9-40/200-30/100	Dim.
Wavelength	905	nm
Optical peak power (NA >0.5)	40 – 200	W
Pulse length	30 – 100	ns
Pulse energy	1200 – 20000	nJ
Max. average power	110	mW
Trigger input	TTL ↑	-
Max. PRF @ max. P	5	kHz
Integrated PLD	905D3S3J09S	
Emitting area	235 x 400	µm*µm
Package	S 10	-
Operating voltage	+12	VDC

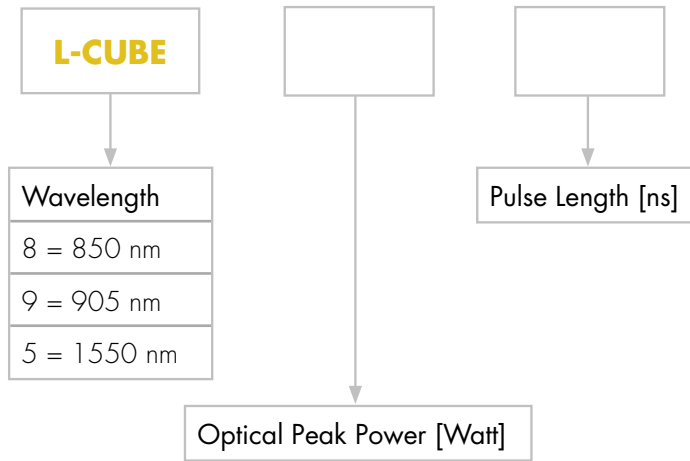
Note: Power variation in the tolerance of +0%/-10%

Specifications for 1550 nm PLD-Modules

Part Number	L-CUBE-5-10/40-30/150	Dim.
Wavelength	1550	nm
Optical peak power (NA >0.5)	10 – 40	W
Pulse length	30 – 150	ns
Pulse energy	300 – 6000	nJ
Max. average power	22	mW
Trigger input	TTL ↑	-
Max. PRF @ max. P	3	kHz
Integrated PLD	155G4S14S	
Emitting area	350*340	µm*µm
Package	S10	-
Operating voltage	+12	VDC

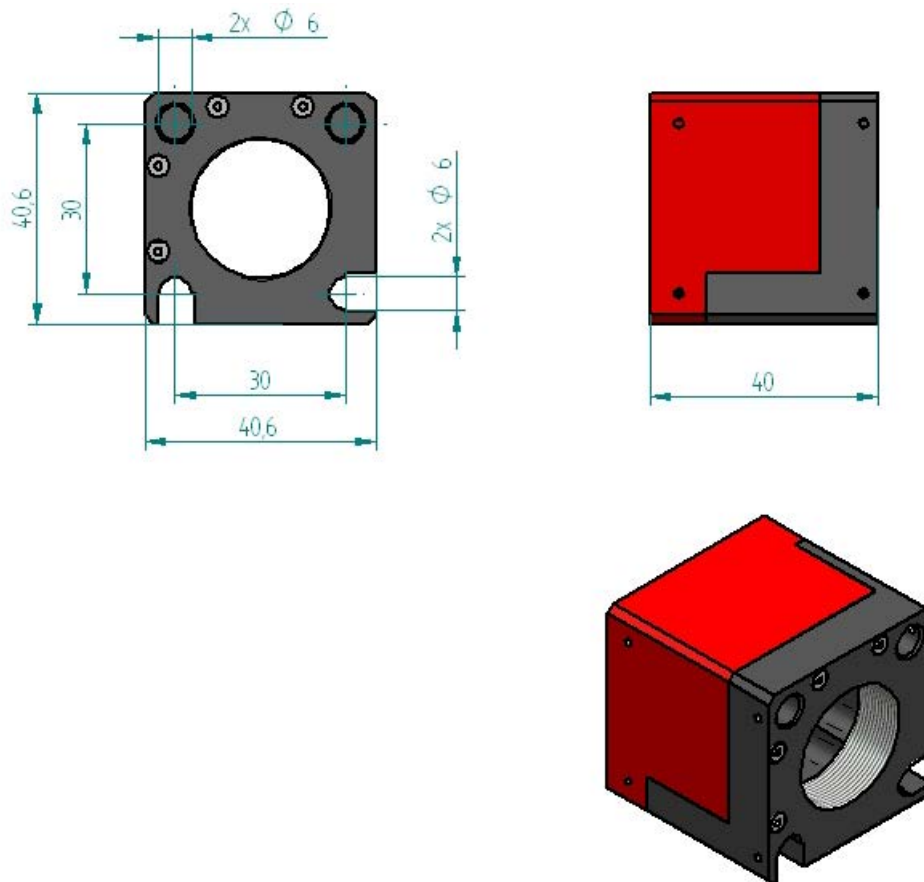
Note: Power variation in the tolerance of +0%/-10%

Product Number Designations



Package Drawings

CUBE-Housing



Control Element	Explanation
P1	Rotary potentiometer for setting the pulse power
P2	Rotary potentiometer for setting the pulse width
M9	Connector for supply voltage and RS232 communication
Trigger (SMB)	Connector for trigger signal

Connectors L-CUBE

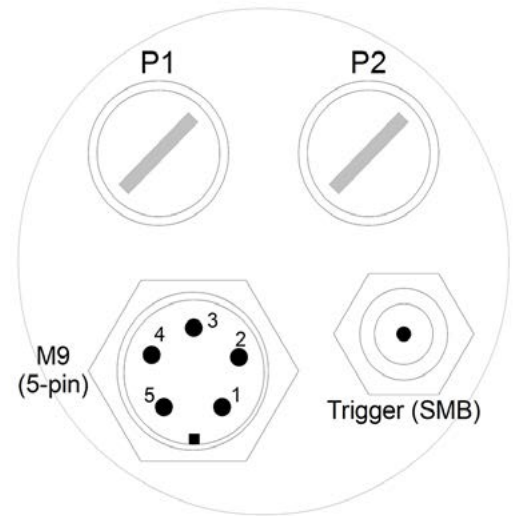


Figure 1: Connection side of L-CUBE

M9 Connector

Configuration of M9 Connector

PIN	Type	Description
1	GND	Ground
2	U_B	Operating voltage + 12 V / 300 mA
3	RxD.	Receive input (RS232)
4	N.C.	
5	TxD	Transmit output (RS232)

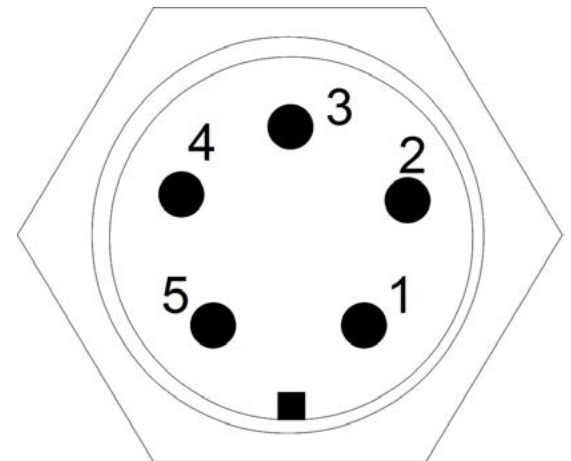


Figure 2: M9 Connector

Product Changes

LASER COMPONENTS reserves the right to make changes to the product(s) or information contained herein without notice. No liability is assumed as a result of their use or application.

Ordering Information

Products can be ordered directly from LASER COMPONENTS or its representatives. For a complete listing of representatives, visit our website at www.lasercomponents.com

Custom designed products are available on request.

Laser Safety

Personal Hazard:

Depending on the mode of operation, these devices emit highly concentrated non visible infrared light which can be hazardous to the human eye. Products which incorporate these devices have to follow the safety precautions given in IEC 60825-1 "Safety of laser products".



Handling Precautions:

Products are subject to the risks normally associated with sensitive electronic devices including static discharge, transients, and overload.

Germany & Other Countries

Laser Components Germany GmbH
Tel: +49 8142 2864 - 0
Fax: +49 8142 2864 - 11
info@lasercomponents.com
www.lasercomponents.com

France

Laser Components S.A.S.
Tel: +33 1 39 59 52 25
Fax: +33 1 39 59 53 50
info@lasercomponents.fr
www.lasercomponents.fr

United Kingdom

Laser Components (UK) Ltd.
Tel: +44 1245 491 499
Fax: +44 1245 491 801
info@lasercomponents.co.uk
www.lasercomponents.co.uk

Nordic Countries

Laser Components Nordic AB
Tel: +46 31 703 71 73
Fax: +46 31 703 71 01
info@lasercomponents.se
www.lasercomponents.se

USA

Laser Components USA, Inc.
Tel: +1 603 821 - 7040
Fax: +1 603 821 - 7041
info@laser-components.com
www.laser-components.com