

High Power TGG Based 850/980/1060 Optical Circulator

(patents pending)

Product Description

The OC Series High Power TGG Based 850/980/1060nm Optical Circulator is non-reciprocal device designed for high power applications, it redirect light at 850/980/1060 nm from port-to-port in only one direction while minimizing back reflection and back scattering in the reverse directions for any state of polarization. With Agiltron's proprietary in-fiber beam expansion technology that scale down the power density, the OC Series High Power Circulator can intrinsic handle optical power beyond 20W, all devices are tested under high power before shipping. With Agiltron's patent pending magnetic-optics technology and proven advanced micro optics design, the circulator features low insertion loss, high isolation, compact structure, high power handling, and high stability. The excellent characteristics of this product make it an ideal choice for application in fiber amplifier systems, pump laser diodes, and optical fiber sensors. Agiltron also provides customized design to meet special applications.



Features

- Low Insertion Loss
- High Power
- High Isolation
- Low PDL
- High Reliability & Stability
- Cost Effective

Applications

- Optical Fiber Amplifier
- Pump Laser Source
- Fiber Optic Sensor
- Test and Measurement
- Instrumentation

Performance Specifications

OC Series TGG based 850/980/1060nm PI Fiberoptic Circulator		Min	Typical	Max	Unit
Operation Wavelength	850	840		860	nm
	980	970		990	
	1060	1050		1070	
Insertion Loss ¹			1.2	1.6	dB
Wavelength Dependent Loss				0.2	dB
Isolation		20	25		dB
Polarization Dependent Loss			0.1	0.2	dB
Cross Talk		45	50		dB
Return Loss		50			dB
Optical Power Handling *				20	W
Storage Temperature		-10		60	°C
Fiber Type		See order information			
Package Dimension		(L)96x(W)34X(H)33			mm

* Continuous operation, for pulse operation call.

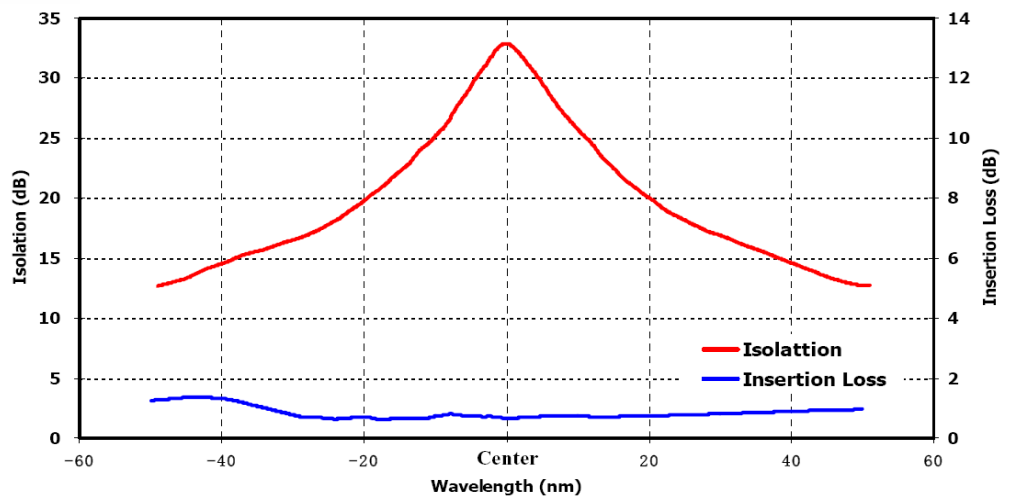
1. Excluding connectors.

Revision: 060-12
06-03-11

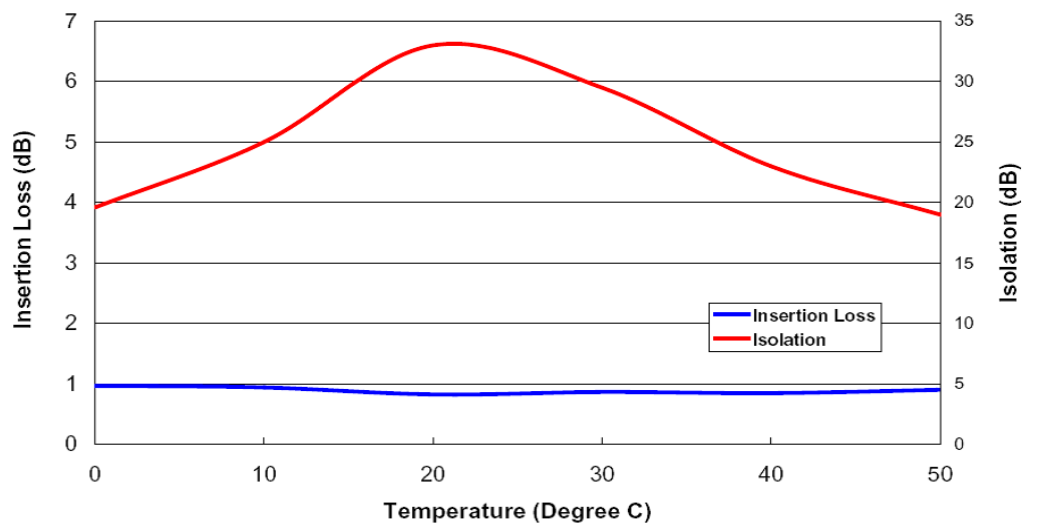
High Power TGG Based 850/980/1060 Optical Circulator

(patents pending)

Optical Performance



IL/Iso Vs. Temp @ Center Wavelength

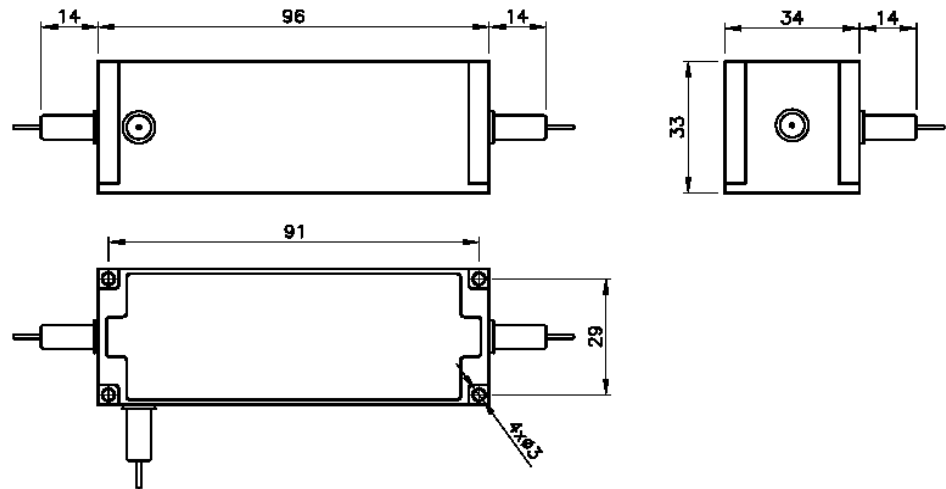


Revision: 060-12
06-03-11

High Power TGG Based 850/980/1060 Optical Circulator

(patents pending)

Mechanical Dimensions (Unit:mm)



Ordering Information

OCST-	<input type="checkbox"/>	<input type="checkbox"/>	<input type="checkbox"/>	<input type="checkbox"/>	<input type="checkbox"/>	<input type="checkbox"/>	<input type="checkbox"/>	<input type="checkbox"/>	1*
Type	Wavelength	Grade	Package	Fiber Type	Fiber Length	Connector			
HP Polarization Independent = 31	1060=1	1W = 1	Standard=1	HI1060 = 2	Bare fiber=1	0.25M=1			
HP Polarization Maintaining = 32	850=8	2W = 2	Special=0	HI980 = 9	900um Loose tube=3	0.5M=2			
Special = 30	980=9	5W = 5		PM980 = E	Special=0	1.0M=3			
	Special=0	10W = 6		Special = 0		Special=0			
		20W = 7							

* Agiltron provide high power connector, please call.

Revision: 060-12
06-03-11