

NSL-4512

2.5MΩ Dark Resistance Light Dependent Resistor (LDR) CdS Photocell

The NSL-4512 is a CdS photocell with a minimum of 2.5MΩ dark resistance, packaged in a two leaded plastic-coated ceramic header.

Advanced Photonix's CdS Photocells are photoresistors measuring visible light from 400 to 700nm. Their resistance decreases as the light level increases with efficiency characteristics similar to the human eye. These Light Dependent Resistors (LDR) are available in a wide range of resistance values. They are available in a two-leaded plastic-coated ceramic header or hermetically sealed TO metal cans.

Applications

Industrial

Features

Passive Resistance Output
 Ceramic Package



PASSION FOR PHOTONICS
DS NSL-4512 Rev. A

Absolute Maximum Ratings

Parameter	Symbol	Min	Max	Unit
Voltage (peak AC or DC)	V_R	-	120	V
Power Dissipation @ 25°C ¹	-	-	125	mW
Operating Temperature	T_{OP}	-60	+75	°C
Storage Temperature	T_{STG}	-60	+75	°C

¹ Derate linearly to zero at 75°C

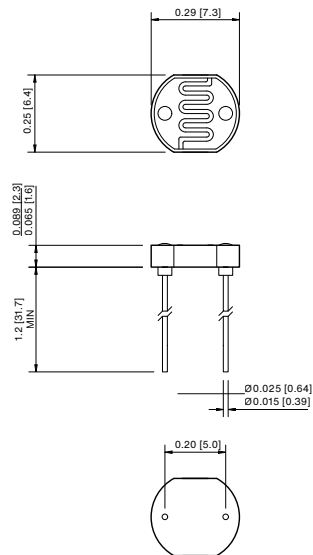
Typical Electro-Optical Specifications at $T_A=23\text{ }^\circ\text{C}$

Parameter	Test Conditions	Symbol	Min	Typ	Max	Unit
Light Resistance	1 ftc., 2854°K ²	R_L	25.8	-	60.2	KΩ
	100 ftc., 2854°K ²	R_L	-	3.0	-	KΩ
Dark Resistance	5 sec after removal of test light	R_D	2.5	-	-	MΩ
Spectral Peak	-	λ_p	-	550	-	nm

² Cells light adapted at 30 to 50 Ftc for 16 hrs minimum prior to electrical tests.

Mechanical Specifications

Units are in inches [mm]



PASSION FOR PHOTONICS
 DS NSL-4512 Rev. A



General Care and Handling Instructions

Photodiodes:

Handling and Storage

- Handle Photodiodes gently to prevent damage.
- Avoid exposing Photodiodes to temperatures exceeding the storage temperature rating of the device.
- Maintain a non-condensing environment for optimum performance and lifetime.

Cleaning

- Gently clean the glass (borosilicate or quartz window) using a 50/50 mixture of Methanol and isopropyl alcohol and a soft, optical-grade pad.

Special Considerations for Plastic or Epoxy Encapsulated Photodiodes

- Protect from intense light sources such as direct sunlight.
- Avoid exposure to harsh chemicals like THINNERS, ACETONE, and TRICHLOROETHYLENE.
- Cleaning with a 50/50 mixture of Methanol and isopropyl alcohol (IPA) is recommended. Cleaning in an ultrasonic bath is generally not recommended.

CdS Photocells:

Handling and Storage

- Handle CdS Photocells gently to prevent damage.
- Avoid exposing CdS Photocells to temperatures exceeding the storage temperature rating of the device.
- Maintain a non-condensing environment for optimum performance and lifetime.

Cleaning

- Gently clean the glass or plastic covering using a 50/50 mixture of Methanol and isopropyl alcohol and a soft, optical-grade pad.

Special Considerations

- DO NOT use Vapor Phase Soldering or Reflow Soldering for CdS components.

Optocouplers and LEDs:

Handling and Storage

- Handle Optocouplers and LEDs gently to prevent damage.
- Avoid exposing the devices to temperatures exceeding the storage temperature rating of the device.
- Maintain a non-condensing environment for optimum performance and lifetime.

Cleaning

- For plastic molded devices, cleaning with a 50/50 mixture of Methanol and isopropyl alcohol is recommended. Cleaning in an ultrasonic bath is generally not recommended.

Special Considerations

- Avoid exposing plastic molded devices or epoxy glob top devices to harsh chemicals like THINNERS, ACETONE, and TRICHLOROETHYLENE.

Electrostatic Discharge (ESD) Sensitivity:

- All devices are considered ESD-sensitive. They are shipped in ESD protective packaging. When unpacking and using these products, anti-ESD precautions should be observed.

Lead Trimming and Bending:

- Standard lead trimming after soldering is an acceptable practice; however, do not attempt to bend or modify the leads incorrectly, as it can damage the glass feed-through or the plastic encapsulant.

Soldering Instructions:

- Use a soldering iron with a tip temperature of 300°C max.
- Consult with your preferred solder manufacturer to determine a solder alloy and flux combination, as well as the reflow profile appropriate for your application.

General Precautions for all Devices

1. Moisture Prevention:

Ensure devices are stored in a dry environment to prevent moisture ingress, which can cause damage during soldering. Refer to J-STD-20 for guidance on proper baking procedures to prevent moisture related damage.

2. Lead Splaying:

If required, carefully splay the leads of the devices according to the specific application needs. Be cautious when splaying leads, as improper techniques may damage the device. Consult technical support or device datasheets for guidance on lead splaying.

3. Mechanical Stress:

Handle devices with care throughout the installation process to prevent damage.

4. Circuit Protection and Layout:

Optimize the circuit design and layout to ensure proper functioning and prevent damage to the devices. Include appropriate protection measures like ESD protection diodes, current-limiting resistors, and voltage regulation.

5. After-Sale Support:

For troubleshooting and device-specific inquiries, please consult with our technical support team. They can offer valuable guidance and suggestions on handling, operation, and application-related questions. To reach them, please contact the Advanced Photonix Applications group at Techsupport@advancedphotonix.com.

Legal Disclaimer

Information in this data sheet is believed to be correct and reliable. However, no responsibility is assumed for possible inaccuracies or omission. Specifications are subject to change without notice.



PASSION FOR PHOTONICS
DS NSL-4512 Rev. A