

## AlGaInp/GaInp SLED Diode

**ADE-CT001**

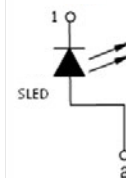
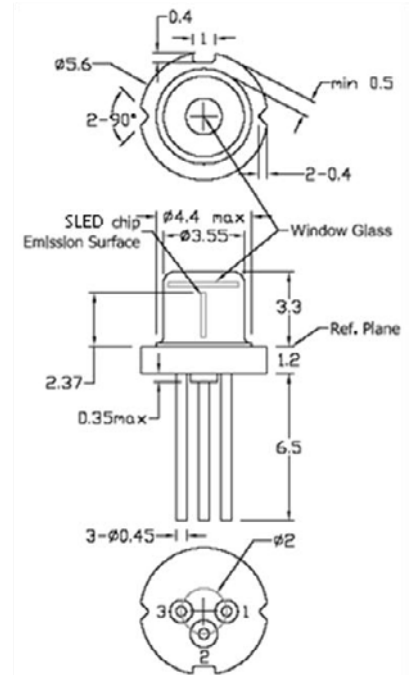
T6-2D-LE67-001\_Rev.01

### 670 nm Superluminescent Light Emitting Diode

● **Features**

1. SLED for optical coherence tomography
2. Bent waveguide design
3. 8nm FWHM spectral width
4.  $\psi$  5.6mm TO package

Parameter	Symbol	Condition	Rating	UNIT
Light output power	Po	CW	5	mW
Reverse Voltage (LD)	V <sub>RL</sub>		2	V
Operating Temperature	T <sub>c</sub>		25~50	°C
Storage Temperature	T <sub>s</sub>		-40~+85	°C



● **Electrical and optical characteristics**

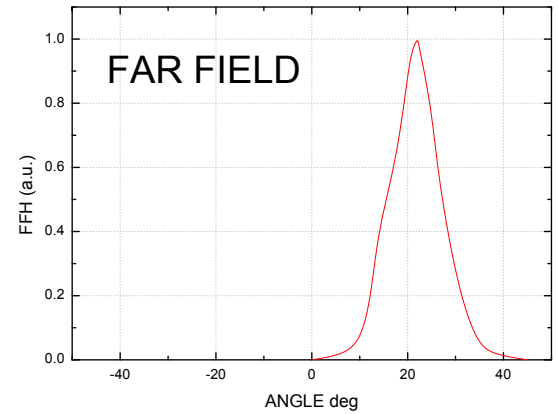
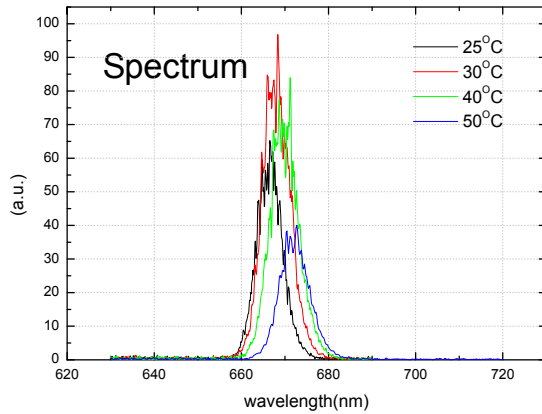
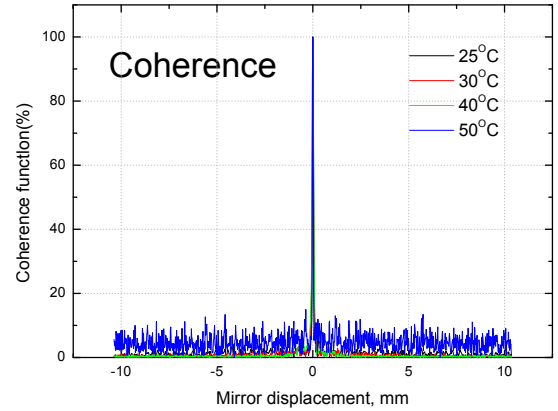
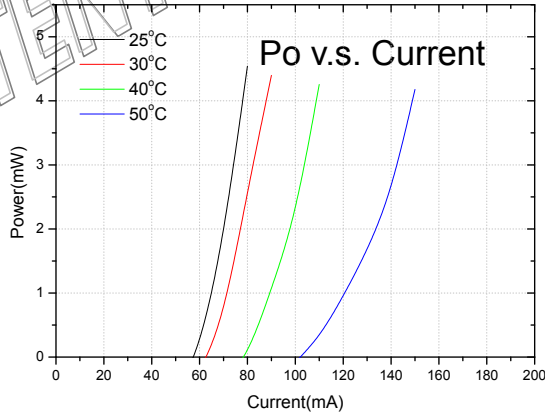
Parameter	Symbol	Min.	Typ.	Max.	Unit	Conditions
Operating current	I <sub>op</sub>		77		mA	Po=5mW, 25°C
Operating voltage	V <sub>op</sub>		2		V	Po=5mW, 25°C
Peak Wavelength	$\lambda$		666		nm	Po=5mW, 25°C
Spectrum Width	FWHM		8		nm	Po=5mW, 25°C

\* For reference only. Contents above are subject to change without notice.

# AlGaInp/GaInp SLED Diode

**ADE-CT001**  
T6-2D-LE67-001\_Rev.01

TENTATIVE



\* For reference only. Contents above are subject to change without notice.