

LASER DIODE

SLD3134VR-31

Features

- Wavelength : 405nm(Typ.)
- Output power : 20mW
- Threshold current : $I_{th}=26mA$ (Typ.)
- Package : ϕ 5.6mm with PD

Applications

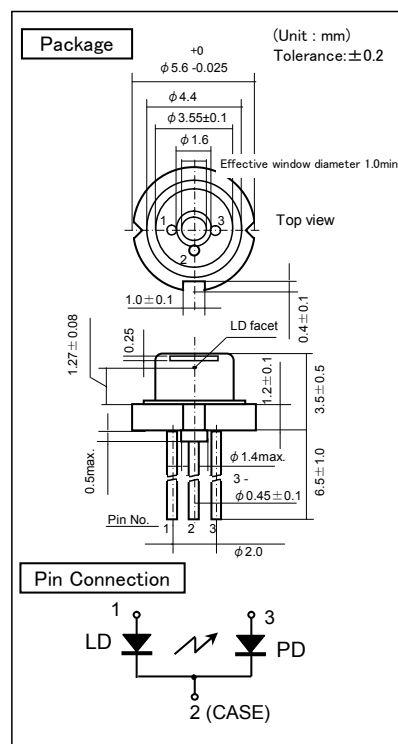
- Laser module
- Industrial Use

Absolute Maximum Ratings

($T_c=25^\circ C$)

Parameter	Symbol	Ratings	Unit
Light Output	Po(CW)	35	mW
Reverse Voltage (LD)	VR	2	V
Operating Temperature ¹⁾	Topr	0 to +75	°C
Storage Temperature ¹⁾	Tstg	-40 to +85	°C

1) Case temperature.



Electrical and Optical Characteristics ^{2) 3) 4) 5)}

($T_c=25^\circ C$)

Parameter	Symbol	Condition	Min.	Typ.	Max.	Unit	
Threshold Current	I_{th}	CW	-	26	60	mA	
Operating Current	I_{op}	Po=20mW	-	55	80	mA	
Operating Voltage	Vop	Po=20mW	-	4.8	5.6	V	
Lasing Wavelength	Lp	Po=20mW	400	405	410	nm	
Beam ⁶⁾ Divergence	Perpendicular	Qv	Po=20mW	16	19	23	°
	Parallel	Qh	Po=20mW	6	8.5	12	°
Off Axis Angle	Perpendicular	dQv	Po=20mW	-3	-	3	°
	Parallel	dQh	Po=20mW	-3	-	3	°
Differential Efficiency	SE	Po=20mW	0.7	1.1	-	mW/mA	
Monitoring Output Current	Im	Po=20mW	0.1	0.2	0.5	mA	

2) Initial Values. 3) All the above values are evaluated with Tottori sanyo's measuring apparatus.

4) It makes a typical value a Reference Value. 5) Measurement condition : CW. 6) Full angle at half maximum.

Note : The above product specification are subject to change without notice