

iC-HK, iC-HKB 155 MHz LASER SWITCH

Rev F2, Page 1/10

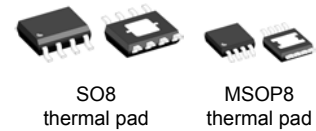
FEATURES

- ◆ Laser switch for frequencies from CW up to 155 MHz
- ◆ Spike-free switching of the laser current
- ◆ Dual switching inputs with independent current control
- ◆ Operates as a voltage-controlled current source
- ◆ Pulsed operation with up to 700 mA per channel
- ◆ CW operation with up to 150 mA per channel
- ◆ Simple power control at pin CI
- ◆ Thermal shutdown
- ◆ Protective ESD circuitry
- ◆ **iC-HKB** for driving **blue laser diodes**
- ◆ Option: extended temperature range

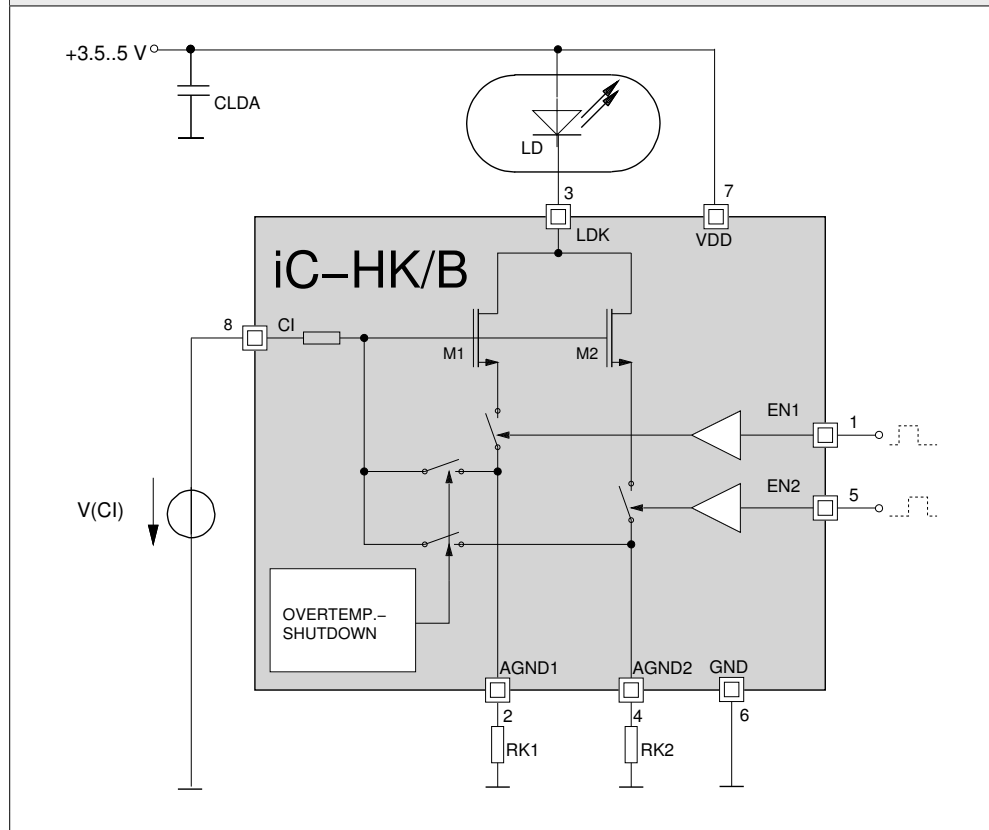
APPLICATIONS

- ◆ Data transmission
- ◆ Laser scanning devices
- ◆ Optical storage devices

PACKAGES



BLOCK DIAGRAM



Copyright © 2015 iC-Haus

iC-HK, iC-HK_B

155 MHz LASER SWITCH

Rev F2, Page 2/10

DESCRIPTION

Laser Switch iC-HK/B enables the spike-free switching of laser diodes with well-defined current pulses at frequencies ranging from DC to 155 MHz.

The diode current is determined by the voltage at pin CI and by the resistors RK1 and RK2. The two fast switches are controlled independently via CMOS inputs EN1 and EN2. The laser diode can thus be

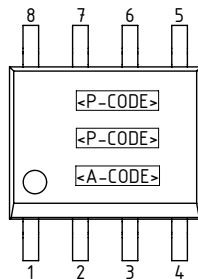
turned on and off or switched between different current levels defined by the ratio of RK1 and RK2.

Each channel can be operated at 150 mA DC and up to 700 mA pulsed current depending on the frequency, duty cycle and heat dissipation.

The integrated thermal shutdown feature prevents damage from excessive temperature.

PACKAGING INFORMATION SO8-TP, MSOP8-TP to JEDEC

PIN CONFIGURATION SO8-TP



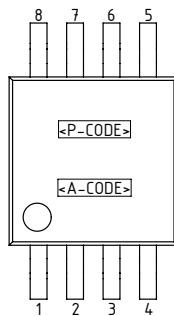
PIN FUNCTIONS

No. Name Function

1	EN1	Channel 1 Switching Input
2	AGND1	Channel 1 Reference Ground
3	LDK	Driver Output (LD Cathode)
4	AGND2	Channel 2 Reference Ground
5	EN2	Channel 2 Switching Input
6	GND	Ground
7	VDD	+5V Supply Voltage
8	CI	Voltage Reference for Current Control

The *Thermal Pad* is to be connected to a Ground Plane on the PCB.

PIN CONFIGURATION MSOP8-TP

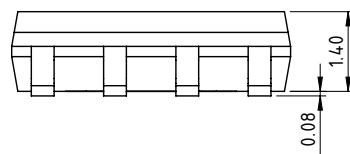


iC-HK, iC-HK_B
155 MHz LASER SWITCH

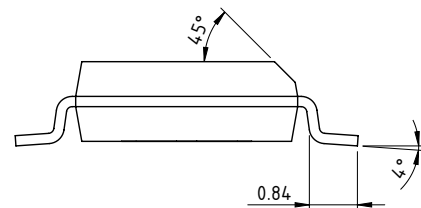
Rev F2, Page 3/10

PACKAGE DIMENSIONS S08-TP

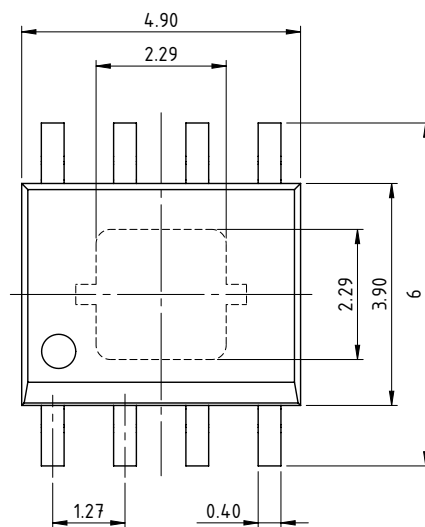
SIDE



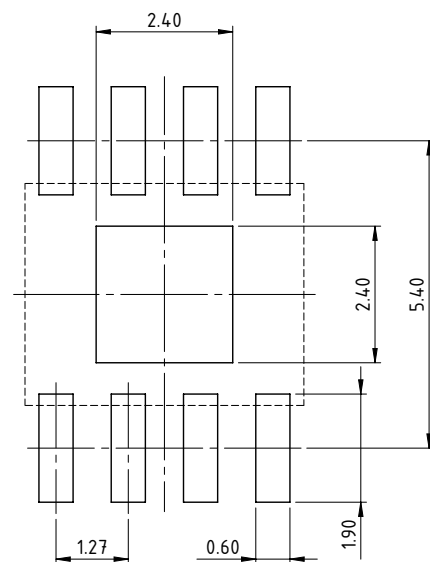
FRONT



TOP



RECOMMENDED PCB-FOOTPRINT



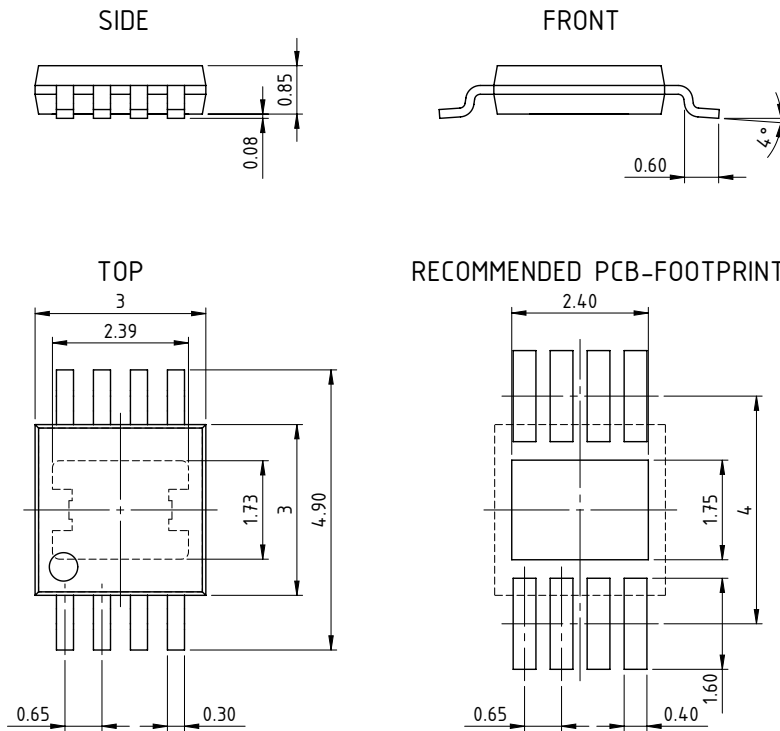
All dimensions given in mm. Tolerances of form and position according to JEDEC MS-012

dra_so8-fp-3_pack_1, 10:1

iC-HK, iC-HK_B
155 MHz LASER SWITCH

Rev F2, Page 4/10

PACKAGE DIMENSIONS MSOP8-TP



All dimensions given in mm. Tolerances of form and position according to JEDEC MO-187. dra_msop8-tp-1_pack_1, 10:1

iC-HK, iC-HKB 155 MHz LASER SWITCH

Rev F2, Page 5/10

ABSOLUTE MAXIMUM RATINGS

Beyond these values damage may occur; device operation is not guaranteed.

Item No.	Symbol	Parameter	Conditions			Unit
				Min.	Max.	
G001	VDD	Voltage at VDD		-0.7	6	V
G002	I(VDD)	Current in VDD		-10	150	mA
G003	V(CI)	Voltage at CI		-0.7	6	V
G004	I(LDK)	Current in LDK	DC current	-10	300	mA
G005	I(AGND1)	Current in AGND1	DC current	-150	10	mA
G006	I(AGND2)	Current in AGND2	DC current	-150	10	mA
G007	V()	Voltage at EN1, EN2, AGND1 and AGND2		-0.7	6	V
G008	V(LDK)	Voltage at LDK	iC-HK	-0.7	6	V
			iC-HKB	-0.7	15	V
G009	Vd()	Susceptibility to ESD at all pins	HBM, 100 pF discharged through 1.5 kΩ		1	kV
G010	Tj	Operating Junction Temperature		-40	150	°C
G011	Ts	Storage Temperature Range		-40	150	°C

THERMAL DATA

Operating Conditions: VDD = 3.5...5.5 V

Item No.	Symbol	Parameter	Conditions	Min.	Typ.	Max.	Unit
T01	Ta	Operating Ambient Temperature Range (extended range on request)		-25		85	°C
T02	Rthja	Thermal Resistance Chip/Ambient (SO8)	soldered to PCB, no additional cooling areas therm. pad soldered to approx. 2 cm ² cooling area		30	170 50	K/W K/W
T03	Rthja	Thermal Resistance Chip/Ambient (MSOP8)	soldered to PCB, therm. pad soldered to approx. 2 cm ² cooling area		30	60	K/W

All voltages are referenced to ground unless otherwise stated.
All currents flowing into the device pins are positive; all currents flowing out of the device pins are negative.

iC-HK, iC-HKB 155 MHz LASER SWITCH

Rev F2, Page 6/10

ELECTRICAL CHARACTERISTICS

Operating Conditions: VDD = 3.5...5.5 V, Tj = -25...125 °C unless otherwise stated

Item No.	Symbol	Parameter	Conditions	Tj °C	Fig.	Min.	Typ.	Max.	Unit
Total Device									
001	VDD	Permissible Supply Voltage				3.5		5.5	V
002	I(VDD)	Supply Current in VDD	CW operation			0		80	µA
003	I(VDD)	Supply Current in VDD	pulsed operation, f(EN1, EN2) = 150 MHz			0		150	mA
004	V(LDK)	Permissible Voltage at LDK	iC-HK iC-HKB			0		5.5	V
005	Vc(CI)hi	Clamp Voltage hi at CI	Vc(CI) = V(CI) – VDD, I(CI) = 10 mA, other pins open			0.4		1.25	V
006	Vc(EN)hi	Clamp Voltage hi at EN1, EN2	Vc(EN) = V(EN) – VDD, I(EN) = 1 mA, other pins open			0.4		1.25	V
007	Vc(I)lo	Clamp Voltage lo at VDD, LDK, CI, EN1, EN2, AGND1, AGND2	I() = -10 mA, other pins open			-1.25		-0.4	V
008	Ipd()	Pull-Down Current at CI, EN1, EN2				1		5	µA
009	Toff	Overtemperature Shutdown				110		150	°C
Laser Control LDK, CI, EN1, EN2									
101	Icw(LDK)	Permissible CW Current in LDK (per channel)						150	mA
102	Ipk(LDK)	Permissible Pulsed Current in LDK (per channel)	f > 100 kHz, thi/T < 1:10					700	mA
107	Vs(LDK)	Saturation Voltage at LDK	I(LDK) = 40 mA I(LDK) = 60 mA I(LDK) = 150 mA, iC-HK I(LDK) = 150 mA, iC-HKB					1.2 1.3 1.5 1.8	V V V V
108	I0(LDK)	Leakage Current in LDK	ENx = lo, V(LDK) = VDD				0	10	µA
109	tr()	LDK Current Rise Time	Iop = 150 mA, I(LDK): 10% → 90%Iop		3			1.5*	ns
110	tf()	LDK Current Fall Time	Iop(LDK) = 150 mA, I(LDK): 90% → 10%Iop		3			1.5*	ns
111	tp()	Propagation Delay V(ENx) → I(LDK)	ENx hi ↔ lo, V(50%) → I(50%)			1*		3*	ns
112	Vt(ENx)	Input Threshold Voltage				33	50	67	%VDD
113	V(CI)	Permissible Voltage at CI				0		5.5	V
114	Vt(CI)	Threshold Voltage at CI	I(LDK) < 5 mA			0.75		1.15	V
115	CR()	Current Matching Chan- nel1/Channel2	V(CI) = 0...VDD, I(LDK) = 30...300 mA, RK1 = RK2			0.9	1	1.1	

* Projected values by sample characterization

iC-HK, iC-HK_B
155 MHz LASER SWITCH

Rev F2, Page 7/10

ELECTRICAL CHARACTERISTICS DIAGRAMS

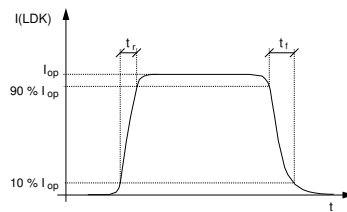


Figure 1: Laser current pulse in LDK

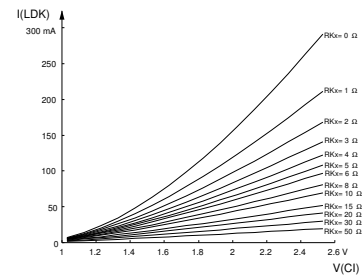


Figure 2: Diode current vs. V(CI) at Tj = 27 °C

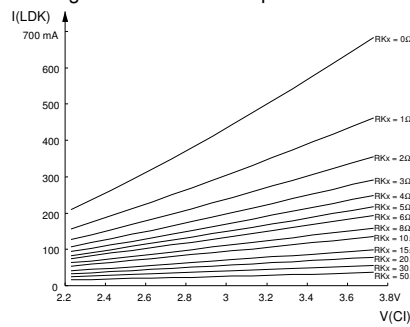


Figure 3: Diode current vs. V(CI) at Tj = 27 °C

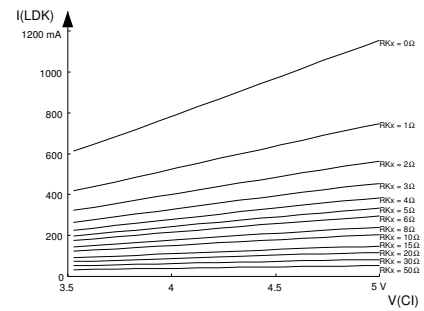


Figure 4: Diode current vs. V(CI) at Tj = 27 °C

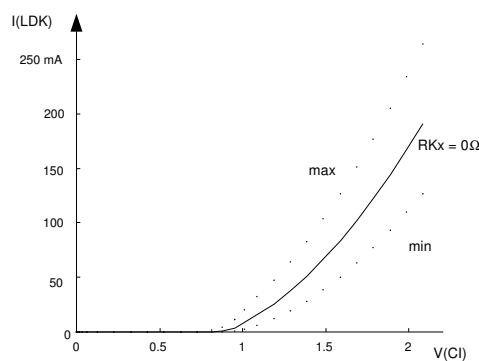


Figure 5: Diode current variation vs. V(CI) at V(LDK) = 3 V

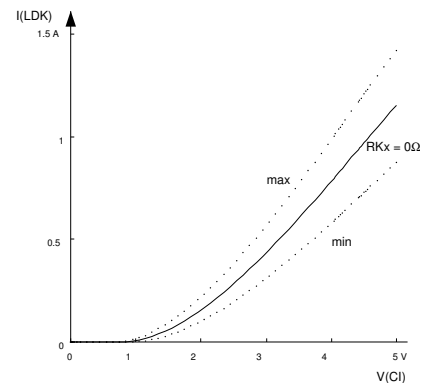


Figure 6: Diode current variation vs. V(CI) at V(LDK) = 3 V

iC-HK, iC-HK_B
155 MHz LASER SWITCH

Rev F2, Page 8/10

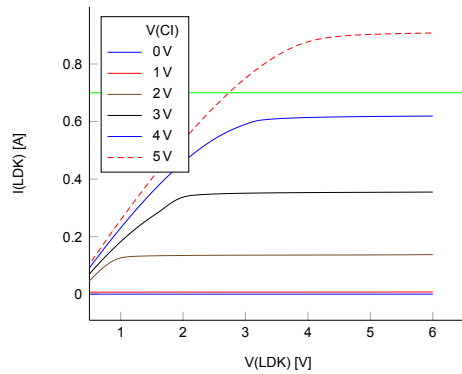


Figure 7: Output Characteristics of LDK

DESCRIPTION OF FUNCTIONS

Laser current dependency of V(CI), RK1, RK2

Depending on the laser diode different diode currents are necessary to obtain the required laser power. The values for V(CI), RK1 and RK2 can be determined for the required diode current at room temperature from the opposite diagram. A parallel to the x axis must be drawn through the desired diode current. Either RKx can be obtained for a required value of V(CI) or the respective value of V(VI) can be achieved for a given RKx.

Thermal Shutdown

iC-HK/B is protected by an integrated thermal shutdown feature. When the shutdown temperature is reached both channels are unconditionally switched off.

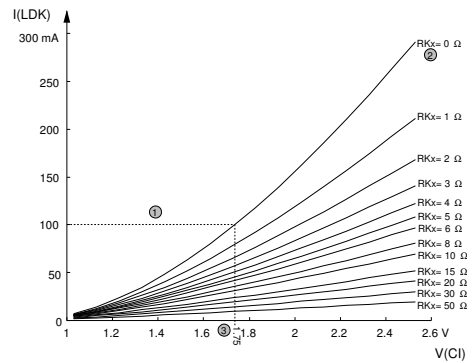


Figure 8: Diode current vs. V(CI) at Tj = 27 °C

APPLICATION NOTES

Application notes for iC-HK/B are available as a separate document.

iC-HK, iC-HK_B 155 MHz LASER SWITCH

Rev F2, Page 9/10

REVISION HISTORY

Rel	Rel.Date	Chapter	Modification	Page
F2	15-04-22	FEATURES	Combination with iC-WK/L removed	1
F2		PACKAGES	Drawings exchanged for more recent ones	1
F2		BLOCK DIAGRAM	Combination with iC-WK/L removed	1
F2		DESCRIPTION	Obsolete schematics removed	2
F2		PACKAGING INFORMATION	Drawings exchanged for more recent ones	2
		PACKAGING INFORMATION	Package Dimensions added	3, 4
F2		ELECTRICAL CHARACTERISTICS	109, 110, 111: Footnotes regarding test coverage added	6
F2		ELECTRICAL CHARACTERISTICS	Output characteristics added	8
F2		ORDERING INFORMATION	Updated order designations	10

iC-Haus expressly reserves the right to change its products and/or specifications. An info letter gives details as to any amendments and additions made to the relevant current specifications on our internet website www.ichaus.com/infoletter; this letter is generated automatically and shall be sent to registered users by email.

Copying – even as an excerpt – is only permitted with iC-Haus' approval in writing and precise reference to source.

iC-Haus does not warrant the accuracy, completeness or timeliness of the specification and does not assume liability for any errors or omissions in these materials.

The data specified is intended solely for the purpose of product description. No representations or warranties, either express or implied, of merchantability, fitness for a particular purpose or of any other nature are made hereunder with respect to information/specification or the products to which information refers and no guarantee with respect to compliance to the intended use is given. In particular, this also applies to the stated possible applications or areas of applications of the product.

iC-Haus products are not designed for and must not be used in connection with any applications where the failure of such products would reasonably be expected to result in significant personal injury or death (*Safety-Critical Applications*) without iC-Haus' specific written consent. Safety-Critical Applications include, without limitation, life support devices and systems. iC-Haus products are not designed nor intended for use in military or aerospace applications or environments or in automotive applications unless specifically designated for such use by iC-Haus.

iC-Haus conveys no patent, copyright, mask work right or other trade mark right to this product. iC-Haus assumes no liability for any patent and/or other trade mark rights of a third party resulting from processing or handling of the product and/or any other use of the product.

iC-HK, iC-HKB
155 MHz LASER SWITCH

Rev F2, Page 10/10

ORDERING INFORMATION

Type	Package	Options	Order Designation
iC-HK	SO8	Thermal Pad	iC-HK SO8-TP
iC-HK	MSOP8	Thermal Pad	iC-HK MSOP8-TP
iC-HKB	SO8	Thermal Pad	iC-HKB SO8-TP
iC-HKB	MSOP8	Thermal Pad	iC-HKB MSOP8-TP