

## iC-HGP 3 A HIGH-SIDE LASER SWITCH

Rev A2, Page 1/20

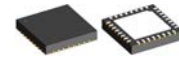
### FEATURES

- ◆ Six channel laser switch from CW up to 200 MHz
- ◆ CW operation with up to 500 mA per channel
- ◆ Pulsed operation with up to 1.5 A per channel
- ◆ Spike-free switching of the laser current
- ◆ 6 x 1 channels with TTL inputs
- ◆ 3 x 2 channels with LVDS inputs
- ◆ Operates as six independent voltage-controlled current sources
- ◆ Laser supplies are 12 V capable for blue/green laser diodes
- ◆ Fast and slow switching mode
- ◆ Simple current control at pins Cix
- ◆ Cix voltage < 3 V for full CW current
- ◆ Wide supply voltage range from 3 to 5.5 V
- ◆ All channels can be paralleled for up to 3 A CW and 9 A pulsed operation
- ◆ Multiple iC-HGP can be connected in parallel for higher currents
- ◆ Open drain error output
- ◆ Thermal shutdown

### APPLICATIONS

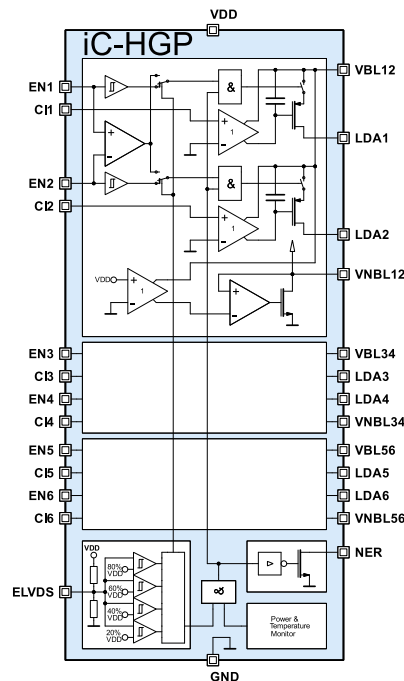
- ◆ Pump lasers
- ◆ Laser projection
- ◆ Laser TV
- ◆ Data transmission
- ◆ TOF camera lighting
- ◆ LIDAR lighting

### PACKAGES



QFN32  
5 mm x 5 mm  
RoHS compliant

### BLOCK DIAGRAM



Copyright © 2017, 2018 iC-Haus

## iC-HGP

### 3 A HIGH-SIDE LASER SWITCH

Rev A2, Page 2/20

#### DESCRIPTION

Six channel laser switch iC-HGP enables the spike-free switching of laser diodes with well-defined current pulses at frequencies ranging from DC to 200 MHz. The high-side circuit architecture of the iC-HGP allows the operation of common-cathode laser diode arrays with cathode grounded.

The diode current is determined by the voltages at pins Clx.

The six fast switches are controlled independently via TTL inputs. Input LVDS = hi selects LVDS type inputs and three channel mode. *TTL slow switch mode* is

selected with 30% VDD and *LVDS slow switch mode* with 70% VDD at input ELVDS.

The laser diode can thus be turned on and off or switched between different current levels (LDAx connected) defined by the voltages at Clx.

Each channel can be operated up to 500 mA CW and 1500 mA pulsed current depending on the frequency, duty cycle and heat dissipation.

The integrated thermal shutdown feature protects the iC-HGP from damage by excessive temperature.

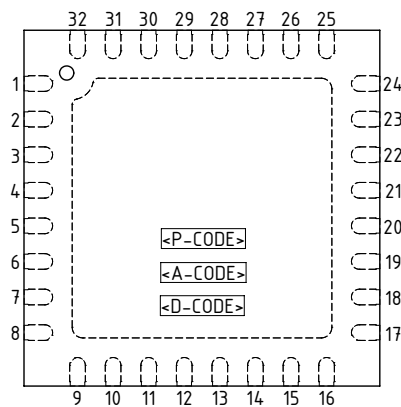
## iC-HGP

### 3 A HIGH-SIDE LASER SWITCH

Rev A2, Page 3/20

#### PACKAGING INFORMATION QFN32 5 mm x 5 mm to JEDEC

#### PIN CONFIGURATION QFN32 5 mm x 5 mm



#### PIN FUNCTIONS

No.	Name	Function
1	CI1	Current control voltage channel 1
2	CI2	Current control voltage channel 2
3	CI3	Current control voltage channel 3
4	GND	Ground
5	CI4	Current control voltage channel 4
6	CI5	Current control voltage channel 5
7	CI6	Current control voltage channel 6
8	VBL12	Laser supply voltage channel 1 and 2
9	VNBL12	Supply voltage channel 1 and 2

#### PIN FUNCTIONS

No.	Name	Function
10	VBL12	Laser supply voltage channel 1 and 2
11	VBL34	Laser supply voltage channel 3 and 4
12	VNBL34	Supply voltage channel 3 and 4
13	VBL34	Laser supply voltage channel 3 and 4
14	VBL56	Laser supply voltage channel 5 and 6
15	VNBL56	Supply voltage channel 5 and 6
16	VBL56	Laser supply voltage channel 5 and 6
17	EN6	TTL switching input channel 6
		Negative LVDS Input channel 5 and 6
18	EN5	TTL switching input channel 5
		Positive LVDS Input channel 5 and 6
19	EN4	TTL switching input channel 4
		Negative LVDS Input channel 3 and 4
20	EN3	TTL switching input channel 3
		Positive LVDS Input channel 3 and 4
21	GND	Ground
22	ELVDS	TTL/LVDS Fast/Slow Input selector
23	VDD	Supply voltage
24	EN2	TTL switching input channel 2
		Negative LVDS Input channel 1 and 2
25	EN1	TTL switching input channel 1
		Positive LVDS Input channel 1 and 2
26	LDA6	Laser diode anode channel 6
27	LDA5	Laser diode anode channel 5
28	LDA4	Laser diode anode channel 4
29	LDA3	Laser diode anode channel 3
30	LDA2	Laser diode anode channel 2
31	LDA1	Laser diode anode channel 1
32	NER	Error monitor output
	TP	Thermal Pad (GND)

The *Thermal Pad* is to be connected to a *Ground Plane* (GND) on the PCB.

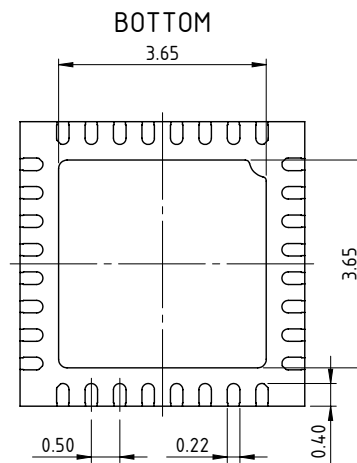
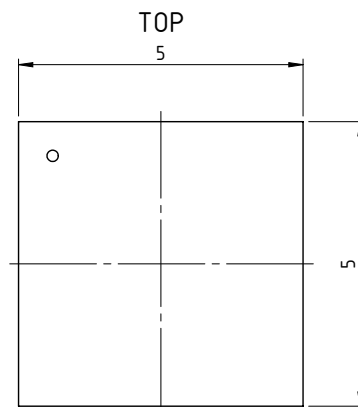
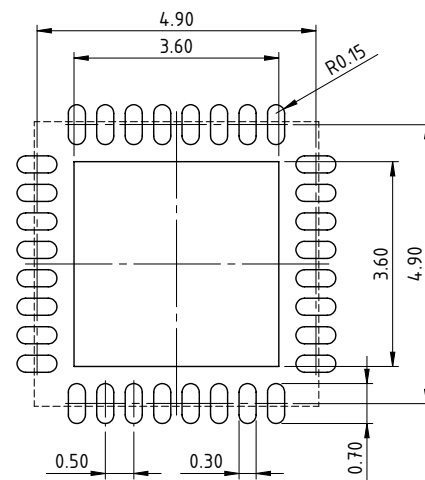
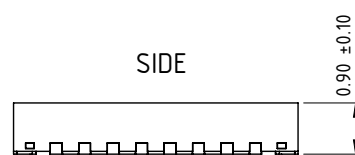
**Only pin 1 marking on top or bottom defines the package orientation (⊗ HGP label and coding is subject to change).**

**iC-HGP**  
3 A HIGH-SIDE LASER SWITCH

Rev A2, Page 4/20

**PACKAGE DIMENSIONS QFN32-5x5**

**RECOMMENDED PCB-FOOTPRINT**



All dimensions given in mm.  
Tolerances of form and position according to JEDEC MO-220.

drb\_qfn32-5x5-6\_pack\_1, 10:1

## iC-HGP

### 3 A HIGH-SIDE LASER SWITCH

Rev A2, Page 5/20

#### ABSOLUTE MAXIMUM RATINGS

Beyond these values damage may occur; device operation is not guaranteed.

Item No.	Symbol	Parameter	Conditions			Unit
				Min.	Max.	
G001	VDD	Voltage at VDD		-0.3	6	V
G002	I(VDD)	Current in VDD		-10	50	mA
G003	V(VBL)	Voltage at VBL12, VBL34, VBL56		-0.3	12	V
G004	I(VBL)	Current in VBL12, VBL34, VBL56	DC current	-10	1200	mA
G005	V(VNBL)	Voltage at VNBL12, VNBL34, VNBL56	VBL < 6 V VBL > 6 V	-0.3 VBL - 6	VBL + 0.3 VBL + 0.3	V V
G006	I(VNBL)	Current in VBL12, VBL34, VBL56	DC current	-10	10	mA
G007	V(CI)	Voltage at CI1...6		-0.3	6	V
G008	V()	Voltage at EN1...6, ELVDS, NER		-0.3	6	V
G009	V(LDA)	Voltage at LDA1...6		-0.3	12	V
G010	I(LDA)	Current in LDA1...6	DC current	-600	10	mA
G011	I()	Current in CI1...6, EN1...6, ELVDS		-10	10	mA
G012	I(NER)	Current in NER		-10	20	mA
G013	Vd()	ESD Susceptibility at all pins	HBM 100 pF discharged through 1.5 kΩ		2	kV
G014	Tj	Operating Junction Temperature		-40	125	°C
G015	Ts	Storage Temperature Range		-40	150	°C

#### THERMAL DATA

Item No.	Symbol	Parameter	Conditions				Unit
				Min.	Typ.	Max.	
T01	Ta	Operating Ambient Temperature Range (extended range on request)		-25		85	°C
T02	Rthja	Thermal Resistance Chip/Ambient	Mounted onto the Evaluation Board HGP1D		25		K/W
T03	RthjTP	Thermal Resistance Chip/Thermal Pad			4		K/W

All voltages are referenced to ground unless otherwise stated.

All currents flowing into the device pins are positive; all currents flowing out of the device pins are negative.

## IC-HGP 3 A HIGH-SIDE LASER SWITCH

Rev A2, Page 6/20

### ELECTRICAL CHARACTERISTICS

Operating Conditions: VDD = 3.0...5.5 V, Tj = -40...125 °C unless otherwise stated

Item No.	Symbol	Parameter	Conditions	Min.	Typ.	Max.	Unit
<b>Total Device (x = 1...6)</b>							
001	VDD	Permissible Supply Voltage		3		5.5	V
002	I(VDD)	Supply Current in VDD	CW operation V(ELVDS) < 35% VDD, TTL V(ELVDS) > 65% VDD, LVDS	2 4		10 22	mA
004	VBL	Permissible Supply Voltage VBL12, VBL34, VBL56		-0.3		12	V
007	V(LDAx)	Permissible Voltage at LDAx		3		12	V
008	V(NER)	Permissible Voltage at NER		-0.3		5.5	V
009	Vc(NER)	Clamp Voltage hi at NER	I(NER) = 1 mA	7	15	18	V
010	Vc(Clx)hi	Clamp Voltage hi at Clx	Vc(Clx) = V(Clx) - VDD; I(CI) = 1 mA, other pins open	0.8		3	V
011	Vc()hi	Clamp Voltage hi at ENx, ELVDS	Vc() = V() - VDD; I() = 1 mA, other pins open	0.8		3	V
012	Vc()lo	Clamp Voltage lo at VDD, VBL12, VBL34, VBL56, LDAx, Clx, ENx, VNBL12, VNBL34, VNBL56, ELVDS, NER	I() = -10 mA, other pins open	-1.6		-0.3	V
<b>Laser Control LDA1...6, Cl1...6 (x = 1...6)</b>							
101	Icw(LDAx)	Permissible CW Current in LDAx (per channel)		-500			mA
102	Vs(LDAx)	Saturation Voltage at LDAx	I(LDAx) = -450 mA, V(Clx) = V(Clx)@I(LDKx) = -500 mA			1.5	V
103	I0(LDAx)	Leakage Current in LDAx	ENx = lo, V(LDAx) = 0 V, VBL = 12 V	-100			µA
104	tr()	LDAx Current Rise Time Fast	Iop(LDAx) = -500 mA, I(LDAx): 10% → 90% Iop, V(ELVDS) = 0 V or VDD			1	ns
105	tf()	LDAx Current Fall Time Fast	Iop(LDAx) = -500 mA, I(LDAx): 90% → 10% Iop, V(ELVDS) = 0 V or VDD			1	ns
106	tr()	LDAx Current Rise Time Slow	Iop(LDAx) = -500 mA, I(LDAx): 10% → 90% Iop, V(ELVDS) = 30% VDD or 70% VDD, VDD = 5 V	5	10	40	ns
107	tf()	LDAx Current Fall Time Slow	Iop(LDAx) = -500 mA, I(LDAx): 90% → 10% Iop, V(ELVDS) = 30% VDD or 70% VDD, VDD = 5 V	5	10	40	ns
108	tr()	LDAx Current Rise Time Slow	Iop(LDAx) = -500 mA, I(LDKx): 10% → 90% Iop, V(ELVDS) = 30% VDD or 70% VDD, VDD = 3.3 V	10	30	90	ns
109	tf()	LDAx Current Fall Time Slow	Iop(LDAx) = -500 mA, I(LDKx): 90% → 10% Iop, V(ELVDS) = 30% VDD or 70% VDD, VDD = 3.3 V	10	30	90	ns
110	tp()	Propagation Delay Fast V(ENx) → I(LDKx)	V(ELVDS) = 0 V or VDD, Differential LVDS Rise and Fall Time < 0.5 ns	3	6	16	ns
111	CR()	Current Matching all Channels		0.7		1.3	
112	V(Clx)	Permissible Voltage at Clx		-0.3		VDD	V
113	Vt(Clx)	Threshold Voltage at Clx	I(LDAx) > -5 mA	0.5		1.2	V
114	V(Clx)	Operating Voltage at Clx	I(LDAx) = -500 mA, V(LDAx) < VBL - 1.8 V		2	2.9	V
115	Ipd(Clx)	Pull-Down Current at Clx	V(Clx) = 0.5...5.5 V	1	2.5	5	µA
116	Vc(LDKx)	Clamp Voltage at LDAx	I(LDAx) = -100 mA, tclamp < 1 ms, tclamp/T < 1:100	-2		-0.3	V
117	tskc()	Channel to Channel Skew				160*	ps
118	tskp()	Part to Part Skew	best to worst			4*	ns
<b>Input EN1...6 (x = 1...6)</b>							
201	Vt(TTL)hi	Input Threshold Voltage hi	V(ELVDS) < 35% VDD, TTL			2	V
202	Vt(TTL)lo	Input Threshold Voltage lo	V(ELVDS) < 35% VDD, TTL	0.8			V

\* Projected values by simulation

## IC-HGP 3 A HIGH-SIDE LASER SWITCH

Rev A2, Page 7/20

### ELECTRICAL CHARACTERISTICS

Operating Conditions: VDD = 3.0...5.5 V, Tj = -40...125 °C unless otherwise stated

Item No.	Symbol	Parameter	Conditions	Min.	Typ.	Max.	Unit
203	Vhys(TTL)	Hysteresis	Vhys() = Vt()hi – Vt()lo; V(ELVDS) < 35% VDD, TTL	50			mV
204	R(EN)	Pull-Down Resistor at ENx	V(ELVDS) < 35% VDD, TTL	100	162	220	kΩ
205	V(EN)	Voltage at EN1, EN3, EN5	V(ELVDS) > 65% VDD, LVDS, ENx open	31	33	35	%VDD
206	V(EN)	Voltage at EN2, EN4, EN6	V(ELVDS) > 65% VDD, LVDS, ENx open	40	42	44	%VDD
207	Ri(EN)	Resistor at EN1, EN3, EN5	V(ELVDS) > 65% VDD, LVDS, ENx open	75	109	155	kΩ
208	Ri(EN)	Resistor at EN2, EN4, EN6	V(ELVDS) > 65% VDD, LVDS, ENx open	80	119	170	kΩ
209	Vdiff	Differential Voltage	Vdiff =  V(EN1,3,5) – V(EN2,4,6) ; V(ELVDS) > 65% VDD, LVDS	200			mV
210	V()	Input Voltage Range	V(ELVDS) > 65% VDD, LVDS	-0.2		VDD + 0.2	V
<b>Input ELVDS</b>							
301	V(ELVDS)	Voltage at ELVDS	ELVDS open	48	50	52	%VDD
302	Ri(ELVDS)	Resistor at ELVDS		35	50	70	kΩ
303	Vt(ELVDS)	Threshold Voltage TTL Fast to TTL Slow		16	20	24	%VDD
304	Vt(ELVDS)	Threshold Voltage TTL Slow to Error		36	40	44	%VDD
305	Vt(ELVDS)	Threshold Voltage Error to LVDS Slow		56	60	64	%VDD
306	Vt(ELVDS)	Threshold Voltage LVDS Slow to LVDS Fast		74	80	84	%VDD
307	Vhys()	Hysteresis		10	25	50	mV
<b>Output NER</b>							
401	Vsat(NER)	Saturation Voltage at NER	ELVDS open, I(NER) = 2 mA			0.6	V
402	I(NER)	Current in NER	ELVDS open, V(NER) > 0.6 V	3	9	20	mA
<b>Overtemperature</b>							
501	Toff	Overtemperature Shutdown	rising temperature	130		170	°C
502	Ton	Overtemperature Release	falling temperature	120		160	°C
503	Thys	Hysteresis	Toff – Ton	5			°C
<b>Power On</b>							
601	VON	Power On Voltage VDD	rising voltage			2.9	V
602	VOFF	Power Down Voltage VDD	falling voltage	1.5			V
603	Vhys	Hysteresis		50		500	mV
<b>Switch Power Supply</b>							
701	V(VNBL)	Voltage at VNBL	VDD = 5 V, VBL = 12 V, CW operation	6.8	7	7.2	V
702	Isc(VNBL)	Short circuit current	VDD = 5 V, VBL = 6 V, VNBL = 3 V	360	440	700	mA

## IC-HGP 3 A HIGH-SIDE LASER SWITCH

Rev A2, Page 8/20

### CONFIGURATION INPUT ELVDS

Pin ELVDS select between 6 channel TTL mode or 3 channel LVDS mode and chooses slow or fast switching speed. The unconnected pin ELVDS is an error condition signaled at pin NER with the laser current disabled.

Pin ELVDS connected to GND selects the six channel fast TTL mode. Pin ELVDS connected to 30% VDD selects the six channel slow TTL mode. Pin ELVDS

connected to 70% VDD selects the three channel slow LVDS mode. Pin ELVDS connected to VDD selects the three channel fast LVDS mode.

An easy way to set the slow operation mode for TTL and LVDS mode is to connect a voltage divider at pin ELVDS. Figure 1 shows the recommended voltage divider for slow TTL mode and Figure 2 shows the recommended voltage divider for slow LVDS mode.

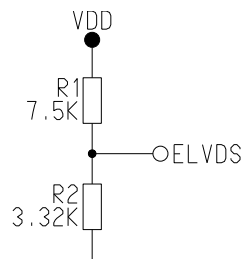


Figure 1: TTL Slow

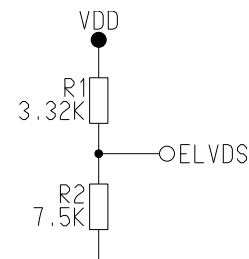


Figure 2: LVDS Slow

### DIGITAL INPUTS EN1...6

EN1...6 are the digital switching inputs. With pin ELVDS set to *6 channel TTL mode*, each pin ENx enables the current source at the respective LDAx. With pin ELVDS set to *3 channel LVDS mode*, the odd ENx pins are the positive and the even ENx pins are the negative LVDS inputs:

EN1 and EN2 control LDA1 and LDA2.  
EN3 and EN4 control LDA3 and LDA4.  
EN5 and EN6 control LDA5 and LDA6.

For correct LVDS operation  $100\Omega$  terminating resistors between the respective ENx pins, very close to the inputs, are strongly recommended. Input pins from unused channels have to be connected to GND (TTL operation) resp. even ENx pins to GND and odd ENx pins to VDD (LVDS operation).



## IC-HGP 3 A HIGH-SIDE LASER SWITCH

Rev A2, Page 9/20

### ANALOG CURRENT CONTROL VOLTAGE INPUTS CI1...6

The voltage at pins CI1...6 sets the current in pins LDA1...6. Figures 3 and 4 show the temperature dependency of the current in a single LDAx output versus the voltage at CIx for a *typical* device. Figures 5 and 6 show

the min., typ., and max. variations between devices at 27 °C temperature. The voltage at pins LDAx is  $V_{BL} - 2.5 V$ .

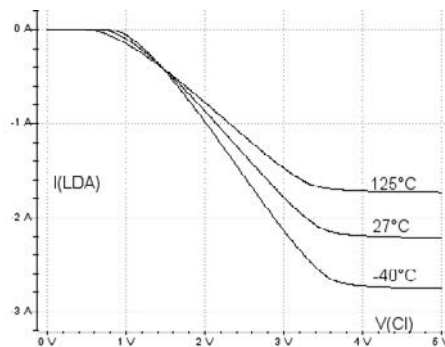


Figure 3: I(LDAx) vs. V(CIx) at VDD = 5 V

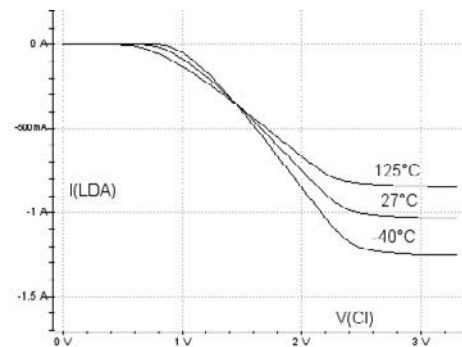


Figure 4: I(LDAx) vs. V(CIx) at VDD = 3.3 V

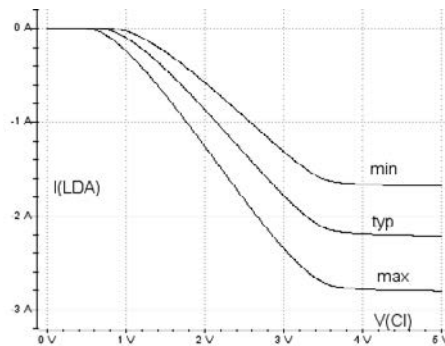


Figure 5: I(LDAx) vs. V(CIx) at VDD = 5 V

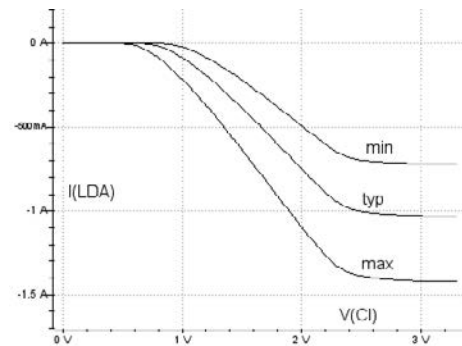


Figure 6: I(LDAx) vs. V(CIx) at VDD = 3.3 V

## IC-HGP 3 A HIGH-SIDE LASER SWITCH

Rev A2, Page 10/20

### LASER OUTPUTS LDA1...6

LDA1...6 are the current outputs for the laser diode anode. For high speed operation, connect the laser diode as close as possible to this pins to minimize the inductance. To ensure a high switching speed, it is important to minimise the inductance of the whole current loop including the backup capacitors.

It may still be necessary though to use an R/C snubber network for damping L/C oscillations.

Figure 7 shows the typical output characteristics of LDA. The left side of the diagram is the  $R_{DSon}$  region where the current depends strongly on the voltage at LDA. The right side of the diagram is the current source region where the current depends only somewhat on the voltage at LDA. Only the current source region should be used.

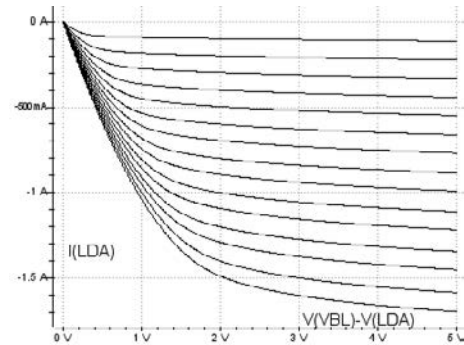


Figure 7: Typical output characteristics of LDA

### PULSED OPERATION

The current for pulsed operation may be higher than for CW operation. Therefore the RMS current of the pulse train has to be considered.

With  $I_{CW_{max}}$  from Electrical Characteristics No. 101 and pulses  $< 10 \mu s$ . So for a single channel operated with a 50% duty cycle, the max. laser current becomes

$$I_{pulse_{max}} = I_{CW_{max}} \cdot \sqrt{\frac{\text{repetition time}(T)}{\text{pulse time}(t)}} \quad (1)$$

$$I_{pulse_{max}} = 500 \text{ mA} \cdot \sqrt{2} = 707 \text{ mA}$$

### LASER AND SWITCH SUPPLIES VBL and VNBL

The independent power supplies for the lasers are separated into 3 groups of 2 channels:

VBL12 is the laser supply for channel 1 and 2.  
VBL34 is the laser supply for channel 3 and 4.  
VBL56 is the laser supply for channel 5 and 6.

The power supply pins for the fast laser switch are VBL and VNBL. The power supply voltage from VBL to VNBL is a mirror of the voltage from VDD to GND and internally generated:

VNBL12 relates to VBL12.  
VNBL34 relates to VBL34.  
VNBL56 relates to VBL56.

An external capacitor between VBL and VNBL is used to stabilize this power supply. For laser supplies VBL up to 5.5 V the corresponding VNBL can be connected directly to GND and the capacitor can be omitted. An example for separated power supplies and VBL56 up to 5.5 V can be found on page 16: "6 channel TTL fast with 3 separated power supplies".

### ERROR OUTPUT NER

The open drain pin NER is a low-active error output. Signalled errors are ELVDS open or at 50% VDD, VDD undervoltage and thermal shutdown.

## iC-HGP 3 A HIGH-SIDE LASER SWITCH

Rev A2, Page 11/20

### THERMAL SHUTDOWN

iC-HGP is protected by an integrated thermal shutdown feature. When the shutdown temperature is reached all channels are disabled. Falling temperature after this shutdown will unconditionally enable all channels again. Necessary precaution to prevent damage of the laser

may be to also disable any external control circuits for the laser output power or current control during thermal shutdown. The error signal at pin NER can be used to e.g. disable the control circuit.

### APPLICATION EXAMPLES

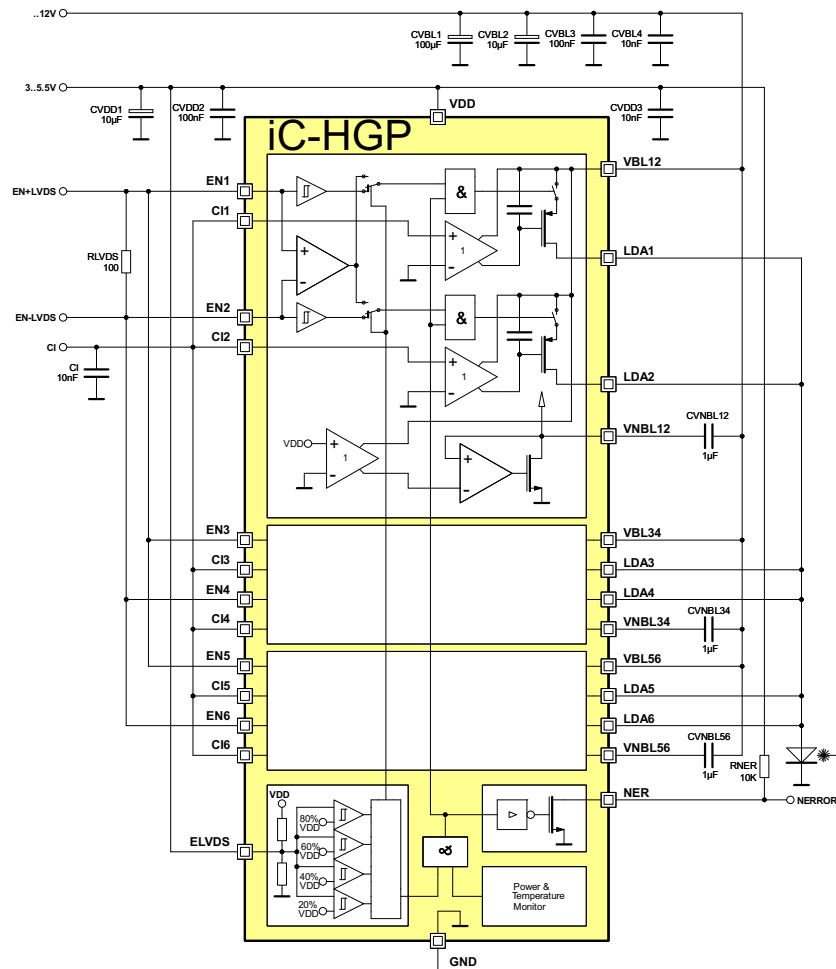


Figure 8: 1 channel LVDS fast

# iC-HGP

## 3 A HIGH-SIDE LASER SWITCH

Rev A2, Page 12/20

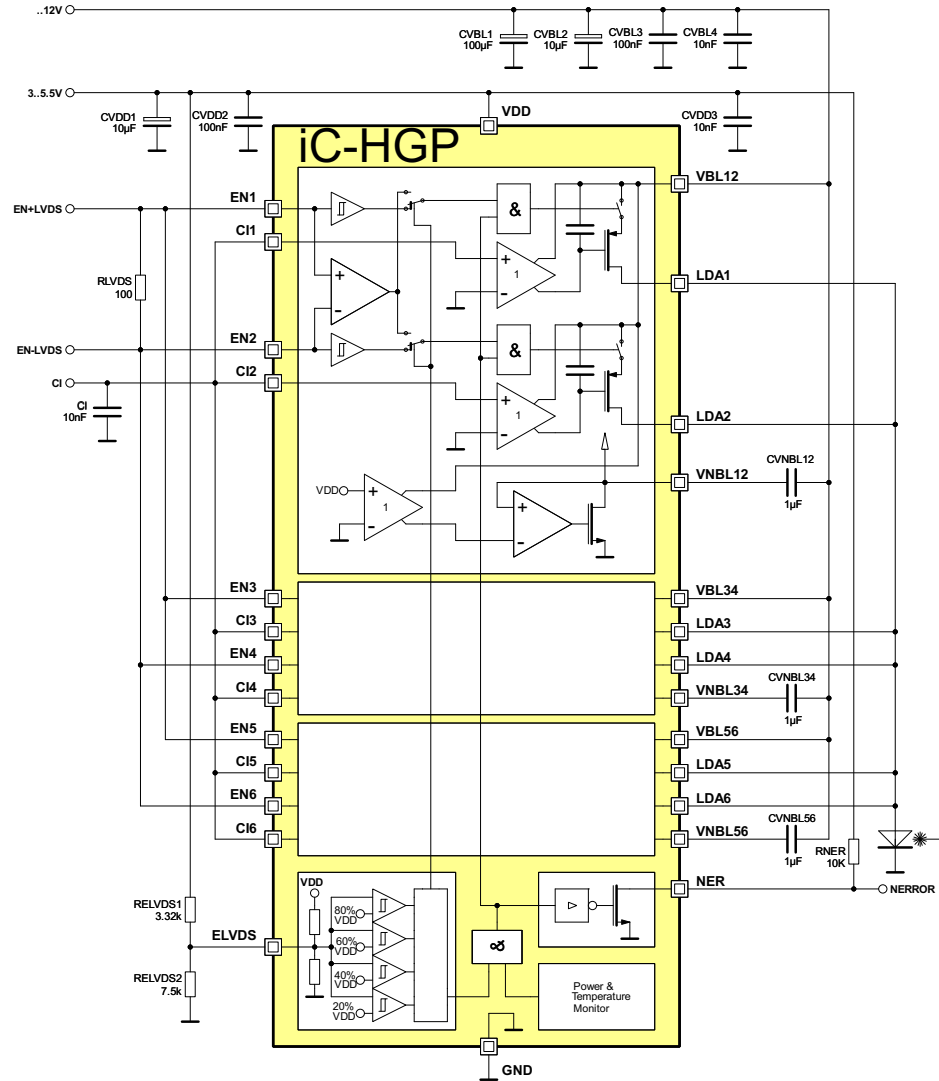


Figure 9: 1 channel LVDS slow

# iC-HGP

## 3 A HIGH-SIDE LASER SWITCH

Rev A2, Page 13/20

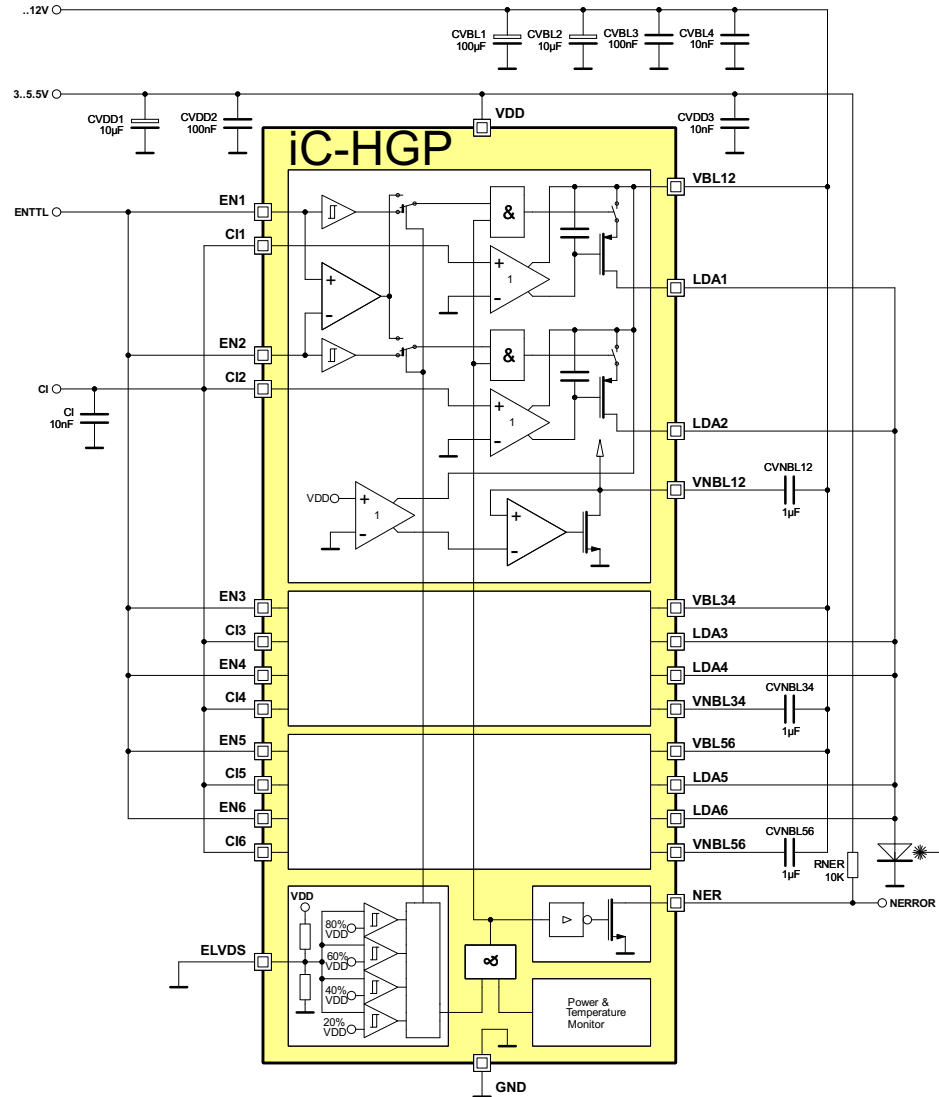


Figure 10: 1 channel TTL fast

# iC-HGP

## 3 A HIGH-SIDE LASER SWITCH

Rev A2, Page 14/20

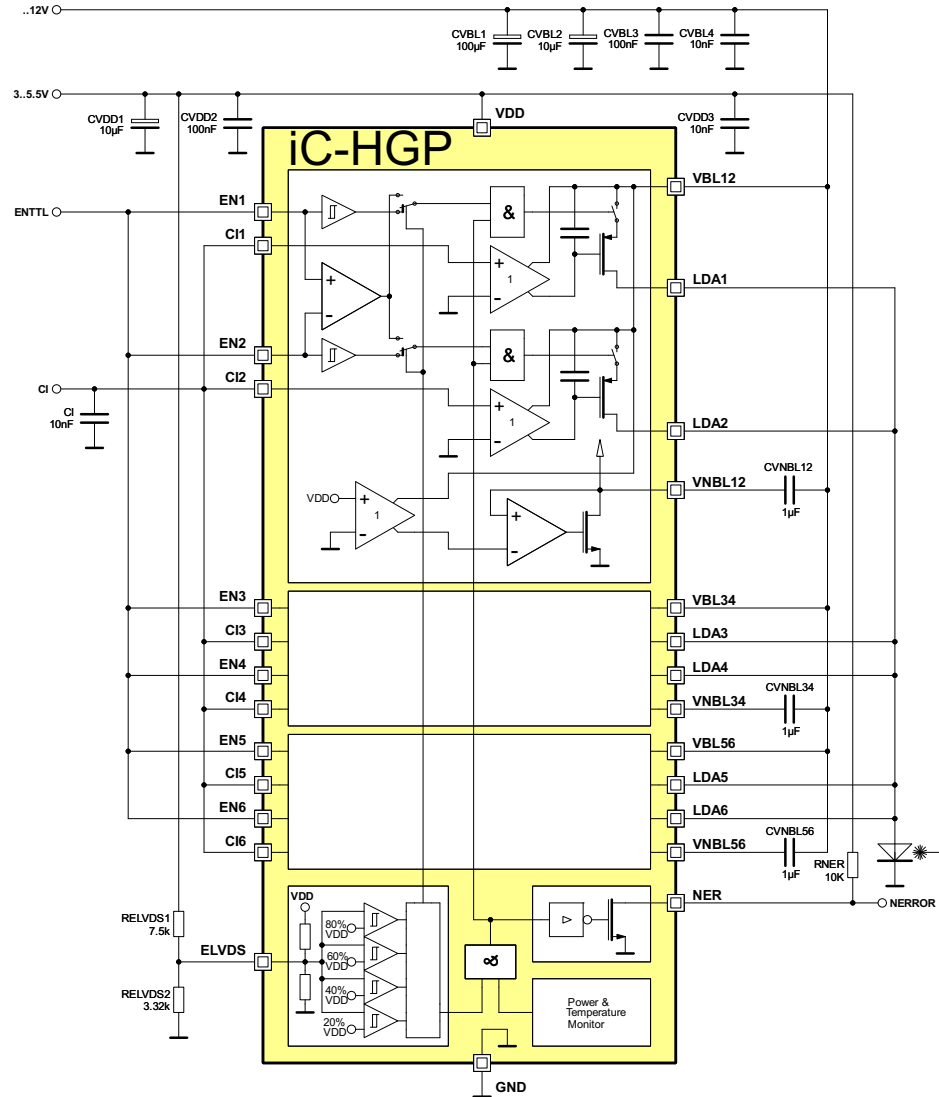


Figure 11: 1 channel TTL slow

# iC-HGP

## 3 A HIGH-SIDE LASER SWITCH

Rev A2, Page 15/20

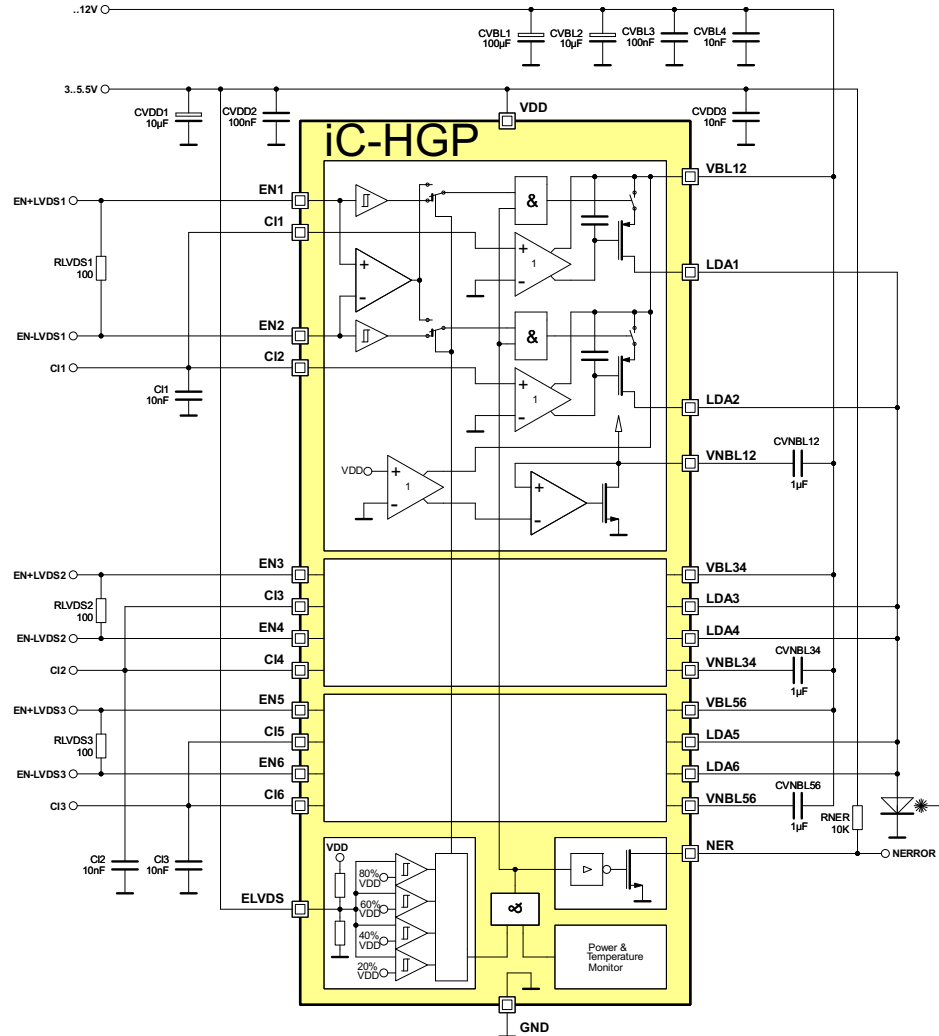


Figure 12: 3 channel LVDS fast

## IC-HGP 3 A HIGH-SIDE LASER SWITCH

Rev A2, Page 16/20

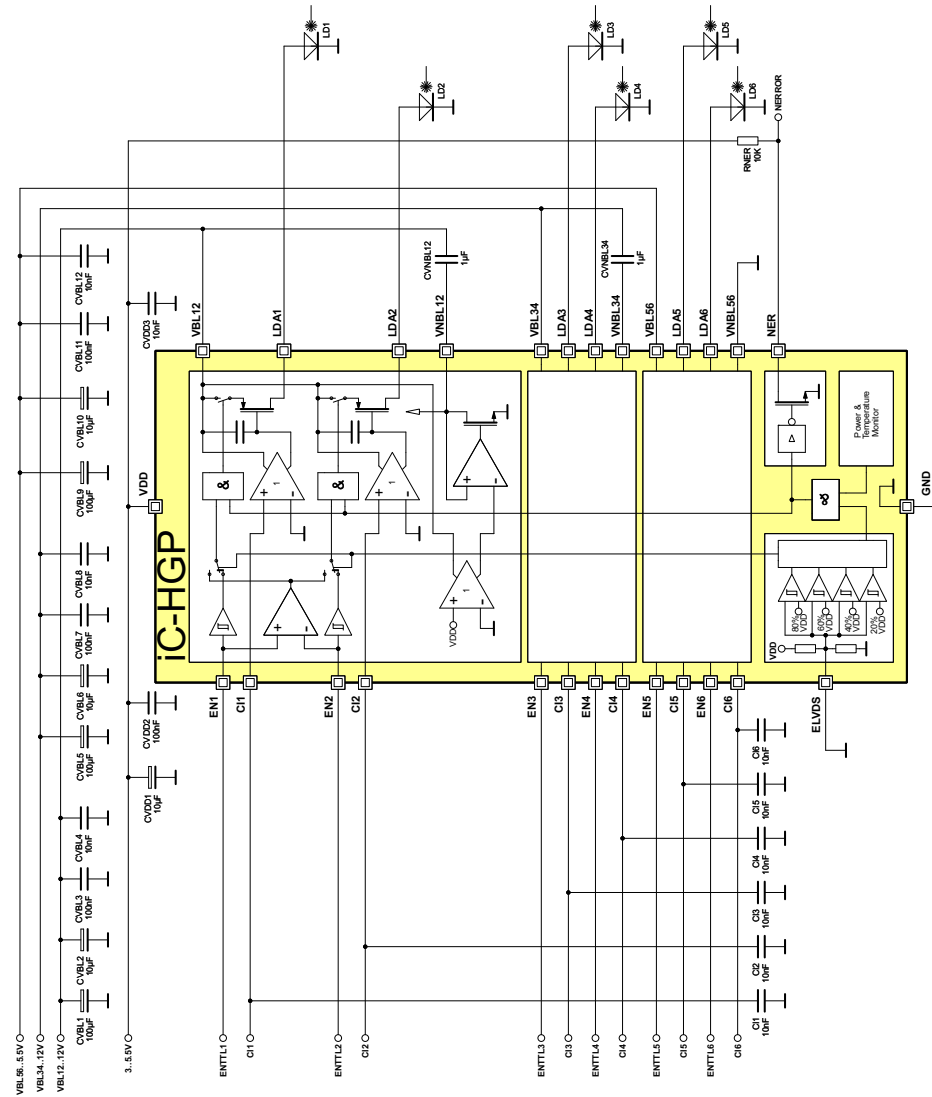


Figure 13: 6 channel TTL fast with 3 separate power supplies VBL12 and VBL34 up to 12V, VBL56 up to 5.5V



## IC-HGP 3 A HIGH-SIDE LASER SWITCH

Rev A2, Page 17/20

### EVALUATION BOARD

IC-HGP comes with an evaluation board for test purpose.

Figures 14 and 15 show the schematic and the component side of the evaluation board.

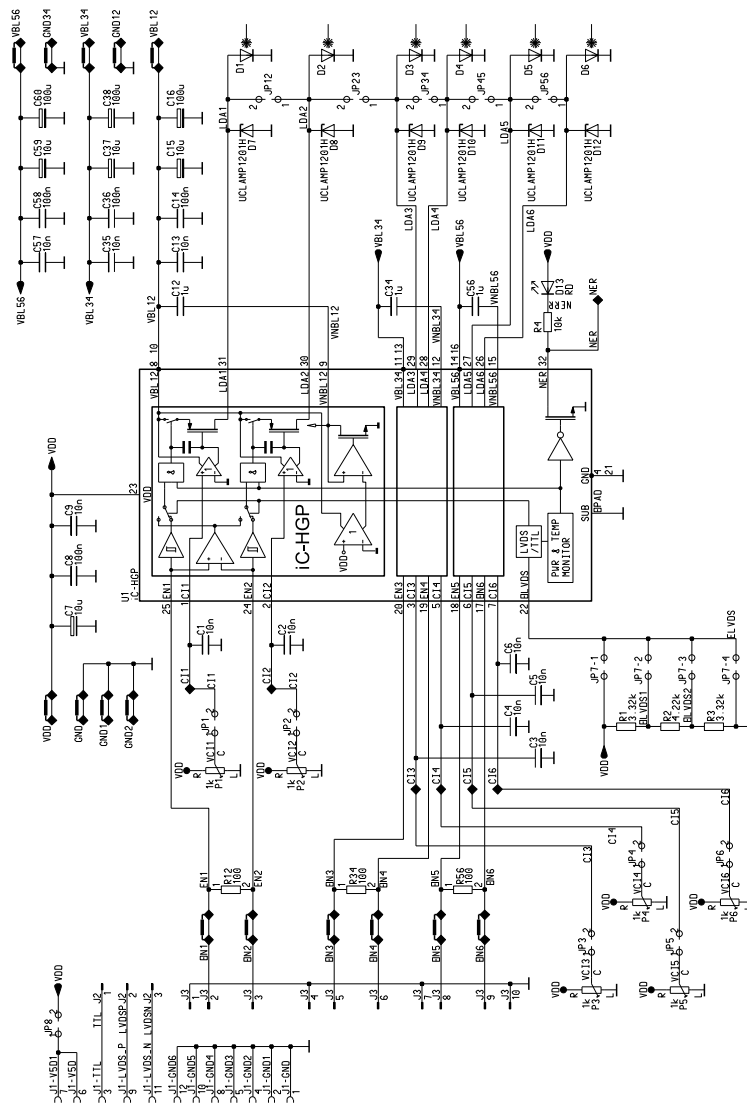


Figure 14: Schematic of the evaluation board

**iC-HGP**  
3 A HIGH-SIDE LASER SWITCH

Rev A2, Page 18/20

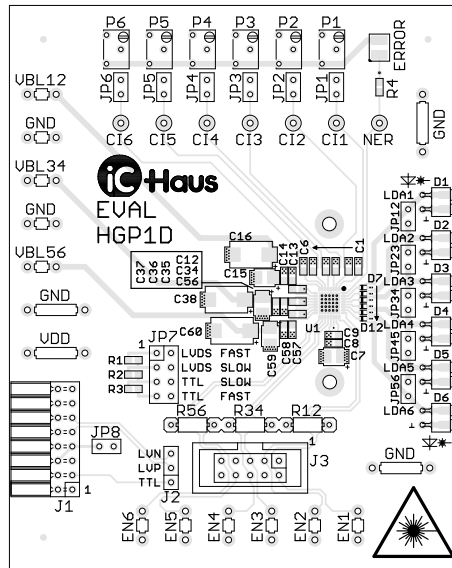


Figure 15: Evaluation board (component side)

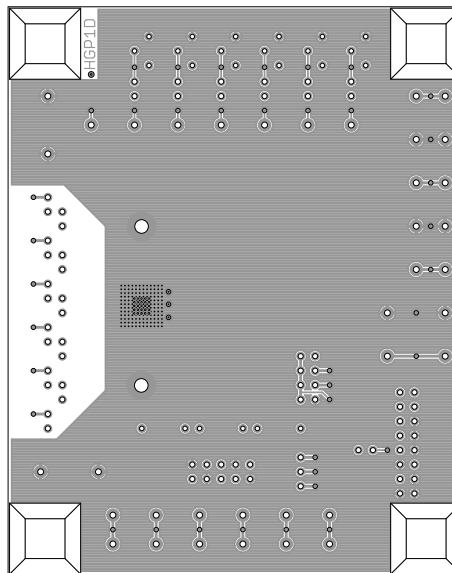


Figure 16: Evaluation board (solder side) with mounting option for heat sink

## iC-HGP

### 3 A HIGH-SIDE LASER SWITCH

Rev A2, Page 19/20

#### REVISION HISTORY

Rel.	Rel. Date <sup>†</sup>	Chapter	Modification	Page
A2	2018-11-20	EVALUATION BOARD	Polarity markers for D1 to D6 added on the component side of the evaluation board (Figure 15).	18

iC-Haus expressly reserves the right to change its products and/or specifications. An Infoletter gives details as to any amendments and additions made to the relevant current specifications on our internet website [www.ichaus.com/infoletter](http://www.ichaus.com/infoletter) and is automatically generated and shall be sent to registered users by email. Copying – even as an excerpt – is only permitted with iC-Haus' approval in writing and precise reference to source.

The data specified is intended solely for the purpose of product description and shall represent the usual quality of the product. In case the specifications contain obvious mistakes e.g. in writing or calculation, iC-Haus reserves the right to correct the specification and no liability arises insofar that the specification was from a third party view obviously not reliable. There shall be no claims based on defects as to quality in cases of insignificant deviations from the specifications or in case of only minor impairment of usability.

No representations or warranties, either expressed or implied, of merchantability, fitness for a particular purpose or of any other nature are made hereunder with respect to information/specification or the products to which information refers and no guarantee with respect to compliance to the intended use is given. In particular, this also applies to the stated possible applications or areas of applications of the product.

iC-Haus products are not designed for and must not be used in connection with any applications where the failure of such products would reasonably be expected to result in significant personal injury or death (*Safety-Critical Applications*) without iC-Haus' specific written consent. Safety-Critical Applications include, without limitation, life support devices and systems. iC-Haus products are not designed nor intended for use in military or aerospace applications or environments or in automotive applications unless specifically designated for such use by iC-Haus.

iC-Haus conveys no patent, copyright, mask work right or other trade mark right to this product. iC-Haus assumes no liability for any patent and/or other trade mark rights of a third party resulting from processing or handling of the product and/or any other use of the product.

Software and its documentation is provided by iC-Haus GmbH or contributors "AS IS" and is subject to the ZVEI General Conditions for the Supply of Products and Services with iC-Haus amendments and the ZVEI Software clause with iC-Haus amendments ([www.ichaus.com/EULA](http://www.ichaus.com/EULA)).

<sup>†</sup> Release Date format: YYYY-MM-DD

**iC-HGP**  
3 A HIGH-SIDE LASER SWITCH

Rev A2, Page 20/20

**ORDERING INFORMATION**

Type	Package	Order Designation
iC-HGP	QFN32 5 mm x 5 mm General Purpose Evaluation Board	iC-HGP QFN32-5x5 iC-HGP EVAL HGP1D

Please send your purchase orders to our order handling team.

For technical support, information about prices and terms of delivery please contact us.