

## FP-MA-19

Precision Mount for Laser Modules with 19 mm Diameter

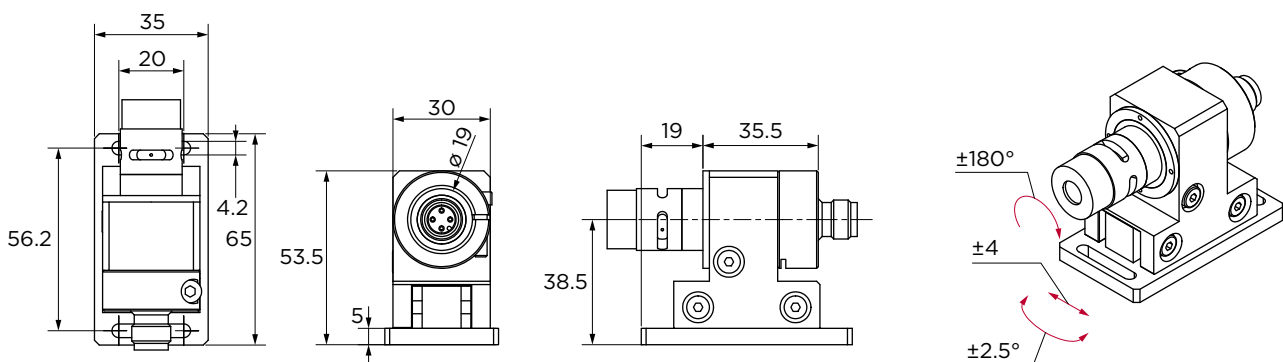


The mount can be used for MVmicro, MVmicro-ST/MV18, MVpulse, MVpulseHP, MVstereo, HD series.

### FEATURES

- / Adjustable precision mount for FLEXPPOINT® laser modules with 19 mm diameter
- / Made out of aluminum
- / Optimal heat dissipation to the ground plane
- / Mount allows  $\pm 4$  mm parallel adjustment,  $360^\circ$  coaxial rotation and  $\pm 2.5^\circ$  angular adjustment (when laser is in central position)
- / Parallel adjustment: 0.7 mm per full screw turn
- / Rotation: approx.  $3^\circ$  per full screw turn

### TECHNICAL DRAWING



#### FP-MA-19 Mount

Units: mm

/ Germany and Other Countries LASER COMPONENTS Germany GmbH Tel +49 8142 2864-0 info@lasercomponents.com www.lasercomponents.com  
 / France LASER COMPONENTS S.A.S. Tel +33 1 39 59 52 25 info@lasercomponents.fr www.lasercomponents.fr  
 / United Kingdom LASER COMPONENTS (UK) Ltd. Tel +44 1245 491 499 info@lasercomponents.co.uk www.lasercomponents.co.uk  
 / Nordic Countries LASER COMPONENTS Nordic AB Tel +46 31 703 71 73 info@lasercomponents.se www.lasercomponents.se  
 / USA LASER COMPONENTS USA, Inc. Tel +1 603 821-7040 info@laser-components.com www.laser-components.com